

NEMA TYPE 4 ENVIROLINE® JUNCTION ENCLOSURES

SCE-ELJ Series



- 0.063" Carbon Steel
- Seams Continuously Welded and Ground Smooth
- Flange Trough Collar Around All Sides of Door Opening

- Oil-Resistant Gasket
- Standoffs Provided for Mounting Optional Sub-Panels
- Removable Hinges
- Doors Open 180°
- Black Mini ¼ Turn Latches
- Latches Are Opened or Closed with a Screwdriver
- Sealing Washers and Hole Plugs Included
- Ground Stud on Door and Body
- Mounting Feet (Included)



SCE-1614ELJ shown smaller than actual size.

Application

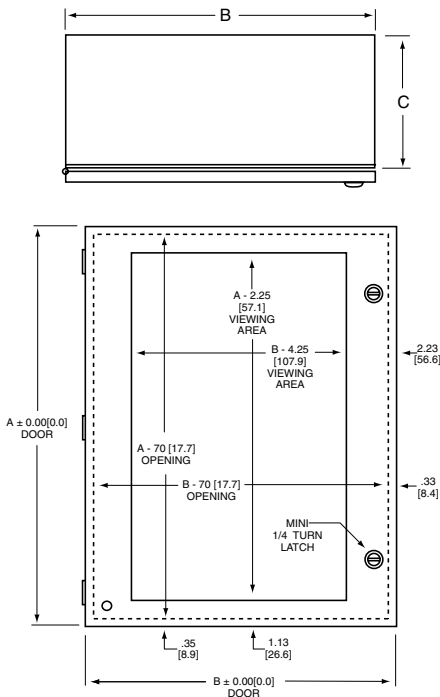
Designed to house electrical controls, instruments and components in areas, which may be regularly hosed down or are in very wet or oily conditions. Provides protection from dust, dirt, oil, and water.

Finish

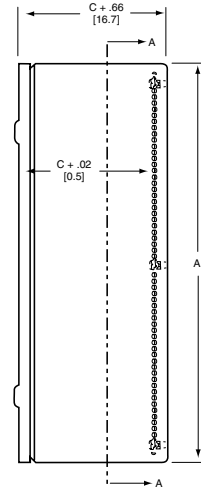
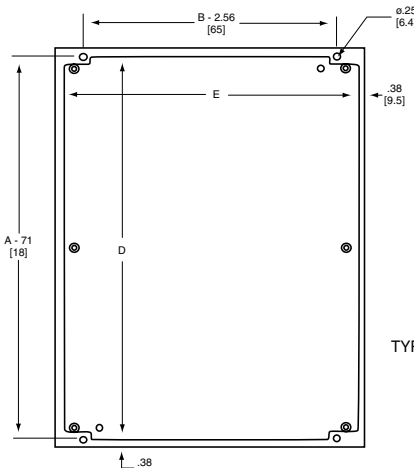
ANSI-61 gray powder coating inside and out over phosphatized surface. Optional panels are powder coated white.

Industry Standards IS2

NEMA Type 4, 12, & 13
UL Listed Type 4 & 12
CSA Type 4 & 12
IEC 60529 IP 66



LATCH NOTES:
One latch centered on the door vertically if height is < 14.00 [355.6]
Two latches located 3.00 [76.2] from top & bottom of door if height is > 14.00 [355.6]
Three latches are required if height is > 20.00 [508]



TYPE 4X ENVIRONLINE JUNCTION ENCLOSURE WITH WINDOW

Dimensions: inch (mm)

To Order

TYPE 4 ENVIROLINE® JUNCTION ENCLOSURES

MODEL NO.	ENCLOSURES (inch)			SUB-PANEL (inch)		
	HEIGHT (A)	WIDTH (B)	DEPTH (C)	MODEL NO.	HEIGHT (D)	WIDTH (E)
SCE-604ELJ	6.00	4.00	4.00	SCE-6P4J	5.25	3.25
SCE-606ELJ	6.00	6.00	4.00	SCE-6P6J	5.25	5.25
SCE-806ELJ	8.00	6.00	4.00	SCE-8P6J	7.25	5.25
SCE-8066ELJ	8.00	6.00	6.00	SCE-8P6J	7.25	5.25
SCE-808ELJ	8.00	8.00	4.00	SCE-8P8J	7.00	7.00
SCE-8086ELJ	8.00	8.00	4.00	SCE-8P8J	7.00	7.00
SCE-1008ELJ	10.00	8.00	4.00	SCE-10P8J	9.25	7.25
SCE-10086ELJ	10.00	8.00	6.00	SCE-10P8J	9.25	7.25
SCE-1210ELJ	12.00	10.00	6.00	SCE-12P10J	11.25	9.25
SCE-12108ELJ	12.00	10.00	8.00	SCE-12P10J	11.25	9.25
SCE-1212ELJ	12.00	12.00	6.00	SCE-12P12J	11.25	11.25
SCE-1412ELJ	14.00	12.00	6.00	SCE-14P12J	13.25	11.25
SCE-14128ELJ	14.00	12.00	8.00	SCE-14P12J	13.25	11.25
SCE-1614ELJ	16.00	14.00	6.00	SCE-16P14J	15.25	13.25
SCE-16148ELJ	16.00	14.00	8.00	SCE-16P14J	15.25	13.25
SCE-20166ELJ	20.00	16.00	6.00	SCE-20P16J	19.25	15.25
SCE-20168ELJ	20.00	16.00	8.00	SCE-20P16J	19.25	15.25
SCE-20206ELJ	20.00	20.00	6.00	SCE-20P20J	19.25	19.25
SCE-20208ELJ	20.00	20.00	8.00	SCE-20P20J	19.25	19.25
SCE-202010ELJ	20.00	20.00	10.00	SCE-20P20J	19.25	19.25

Ordering Example: SCE-604ELJ, Type 4 enviroline junction enclosure.

SCE-10086ELJ, Type 4 enviroline junction enclosure, 10 H x 8 W x 6" D, SCE-10P8J, sub-panel.