

## Series CRE and CRR E-Mitters 0.3 x 0.3 m (12 x 12") Modular Glass Face Panels Standard Ratings

### CRE/CRR Series



- Provides Safe, Clean, Radiant Heat Anywhere
- Easy Installation
- Not Affected by Vibration—High Mechanical Strength
- Good Resistance to Atmospheric Contamination
- Does Not Generate Visible Light—Only Heat
- Reversible Color Change Feature
- 3.5 to 7  $\mu$ m Infrared Radiation Wavelength

### Typical Applications

- Plastic Thermoforming and Vacuum Forming
- Curing Adhesives
- Curing Dental Composite Material
- Heating Laboratory Samples and Specimens
- Comfort Heat for Agricultural, Zoological and Reptilian Pet Applications
- Prevent Moisture Accumulation and Freezing in Electrical Control Boxes
- Prevent Moisture Accumulation, Mildew and Freezing in Clothes Lockers
- Resistor Banks
- Agricultural

Type CRR  
flat face



Type CRE  
bulb shape



CRK00016 Screw-in base  
Ceramic receptacle for use with  
screw-in bulb E-Mitters.



## Type CRE and CRR E-Mitters

### Screw-In Bulb E-Mitters

The CRE and CRR Style E-Mitter's are hollow ceramic heaters with a unique thin wall construction and geometrical shape to facilitate fast heating and cooling rates.

The resistance coil is embedded into the specially designed circular ceramic E-mitter surface, providing extremely uniform heat transmission with low element surface temperatures.

Because of the convenient screw-in style termination, CRE & CRR E-Mitters are recognized as a tremendously versatile source for localized spot heating. They can be used virtually anywhere quickly and easily by simply installing the CRE E-Mitter into common porcelain/ceramic insulated bulb sockets—like any ordinary light bulb.

### Custom Engineered/Manufactured Heaters

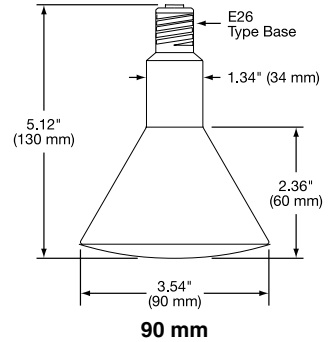
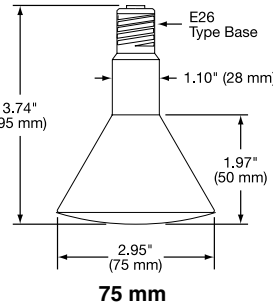
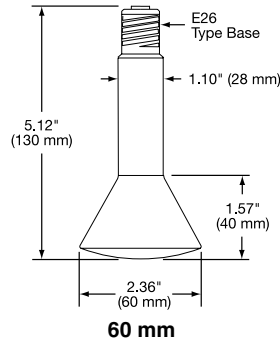
Understanding that an electric heater can be very application specific, for sizes and ratings not listed, OMEGA® will design and manufacture a CRE and CRR bulb style ceramic infrared heater to meet your requirements.

### Please Specify the Following:

- **Size:** Overall dimensions or Series Code
- **Colors:** Standard colors are color changing rose and white; optional colors are color changing yellow and black
- **Wattage:** Description of process and temperature required

## Series CRE and CRR E-Mitters

### Type CRE Screw-In Bulb E-Mitters



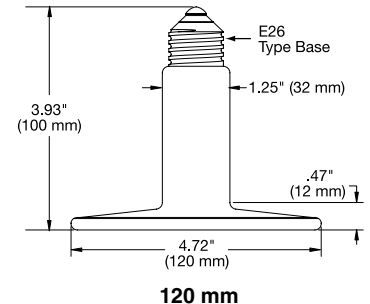
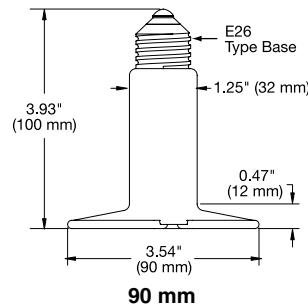
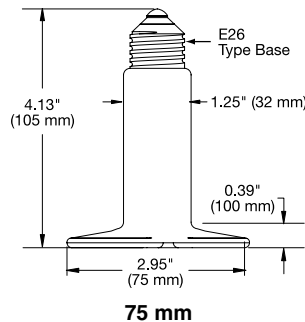
### Standard CRE E-Mitters

**To Order Visit [omega.com/cre\\_crr](http://omega.com/cre_crr) for Pricing and Details**

Model No.	Diameter	Wattage	Voltage	Color	Watt Density		*Surface Temperature (Typical)	
					Watt/in <sup>2</sup>	Watt/cm <sup>2</sup>	°F	°C
CRE10014	60 mm	60	120	Rose to Grey	13.26	6.45	842	450
CRE00014		60	120	White	13.26	6.45	842	450
CRE10015		100	120	Rose to Grey	22.60	10.76	887	477
CRE00015		100	120	White	22.60	10.76	887	477
CRE10012	75 mm	60	120	Rose to Grey	8.49	1.32	662	350
CRE00012		60	120	White	8.49	1.32	662	350
CRE10013		100	120	Rose to Grey	14.15	2.19	788	420
CRE00013		100	120	White	14.15	2.19	788	420
CRE10008	90 mm	150	120	Rose to Grey	15.59	2.41	842	450
CRE00008		150	120	White	15.59	2.41	842	450
CRE10002		250	120	Rose to Grey	22.98	4.02	986	530
CRE00002		250	120	White	22.98	4.02	986	530

Ordering Example: CRE10008, 150 W, 120 Vac bulb radiant heater.

### Type CRR Screw-In Bulb E-Mitters



### Standard CRR E-Mitters (Color-White)

**To Order Visit [omega.com/cre\\_crr](http://omega.com/cre_crr) for Pricing and Details**

Model No.	Diameter	Wattage	Watt Density		*Surface Temperature (Typical)	
			Watt/in <sup>2</sup>	Watt/cm <sup>2</sup>	°F	°C
CRR00005	75 mm	60	8.77	1.36	640	338
CRR00006		100	14.62	2.26	710	377
CRR00003	90 mm	100	10.16	1.57	655	346
CRR00004		150	15.24	2.36	760	404
CRR00007	120 mm	200	20.32	3.14	950	510
CRR00008		100	5.71	0.88	400	204
CRR00009		150	8.57	1.33	485	252
CRR00010		200	14.29	2.21	670	354

\* E-Mitter [operating in 22°C (72°F) ambient] face temperature measured with internal thermocouple.

Ordering Example: CRR00008, 100 W, 120 Vac bulb radiant heater.