

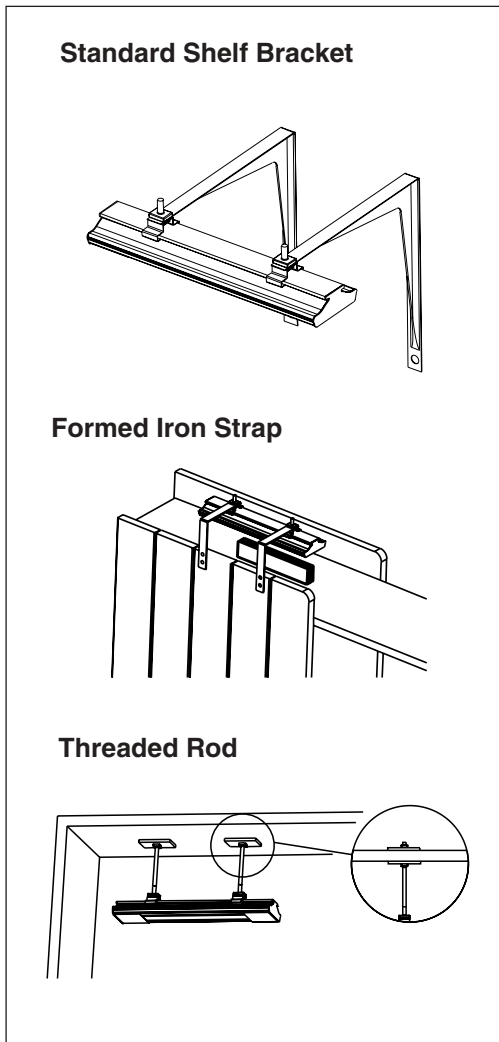
# MOUNTING METHODS FOR RADIANT OVEN SECTIONS

Any OMEGALUX® radiant heater is inherently easy to put to work. These heaters are designed as heater modules with features that provide the greatest flexibility in application. A broad choice of physical lengths and ratings is available. Modules can be locked together with hinge-like connectors to create various shaped tunnel structures. Rugged heater case permits use with common structural materials as framing for heater banks using provided heater mounting clamp.

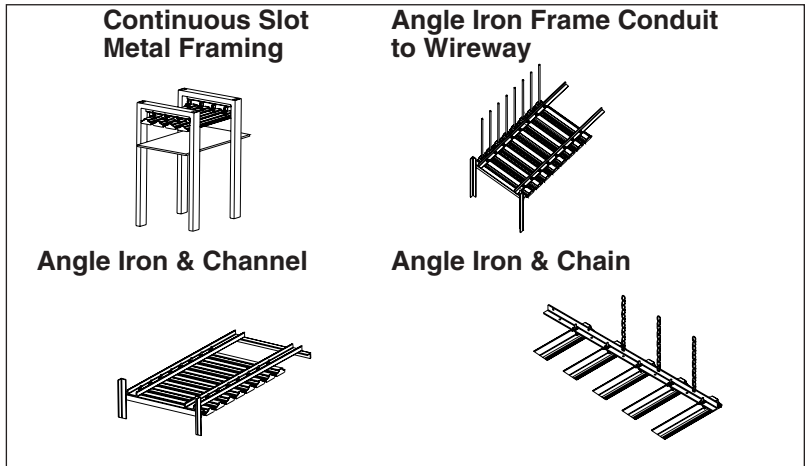
Temperature controls, contactors, other control equipment and wiring accessories can be purchased with heaters to fill your electrical needs. Framing hardware and brackets must be obtained from local supplier.



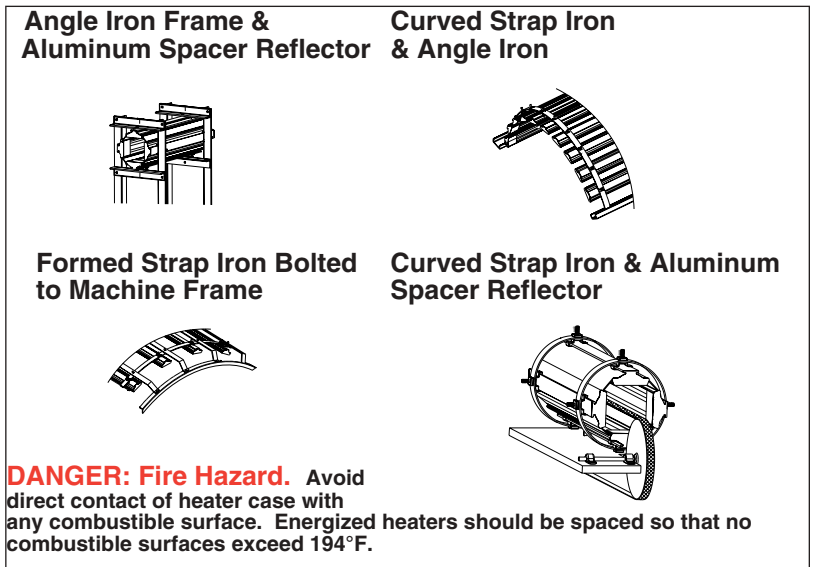
## Single Heater Mounting



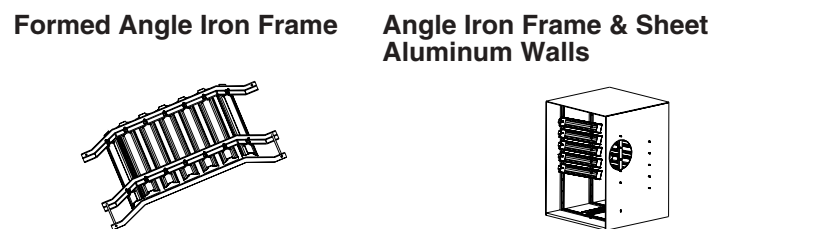
## Flat Heater Banks



## Formed Ovens



## Large Oven Sections



# MOUNTING METHODS FOR RADIANT OVEN SECTIONS

Stocked LN and LW oven sections, with built-in air spaces for insulation and terminal block for bus bar, will accept 1, 2 or 3 heating elements. Designed for use with locally available hardware, they provide great flexibility in radiant sources and housings, for a single heater section or a complete oven.

OMEGALUX supplies oven sections, heating elements, frame wireways, controls and wiring accessories. Framing hardware and brackets must be obtained from local suppliers.



## Single Heater Mounting

**Angle Iron Bracket**

**Formed Iron Strap**

**Threaded Rod & Continuous Slot Metal Framing**

## Flat Heater Banks

**Angle Iron**

**Continuous Slot Metal Framing & Metal Wireway**

**Angle Iron**

**Angle Iron & Chain**

## Formed Ovens

**Angle Iron Frame & Strap Iron Bracket**

**Curved Strap Iron & Angle Iron**

**Formed Strap Iron Bolted to Machine Frame**

**Angle Iron or Continuous Slot Framing**

## Large Oven Sections

**Straight & Formed Angle Iron**

**Angle Iron Frame, Strap Iron Brackets & Sheet Aluminum Walls**

**DANGER: Fire Hazard.** Avoid direct contact of heater case with any combustible surface. Energized heaters should be spaced so that no combustible surfaces exceed 194°F.



#### UNITED STATES

[www.omega.com](http://www.omega.com)  
1-800-TC-OMEGA  
Stamford, CT.

#### CANADA

[www.omega.ca](http://www.omega.ca)  
Laval(Quebec)  
1-800-TC-OMEGA

#### GERMANY

[www.omega.de](http://www.omega.de)  
Deckenpfronn, Germany  
0800-8266342

#### UNITED KINGDOM

[www.omega.co.uk](http://www.omega.co.uk)  
Manchester, England  
0800-488-488

#### FRANCE

[www.omega.fr](http://www.omega.fr)  
Guyancourt, France  
088-466-342

#### CZECH REPUBLIC

[www.omegaeng.cz](http://www.omegaeng.cz)  
Karviná, Czech Republic  
596-311-899

#### BENELUX

[www.omega.nl](http://www.omega.nl)  
Amstelveen, NL  
0800-099-33-44



## More than 100,000 Products Available!

### • Temperature

Calibrators, Connectors, General Test and Measurement Instruments, Glass Bulb Thermometers, Handheld Instruments for Temperature Measurement, Ice Point References, Indicating Labels, Crayons, Cements and Lacquers, Infrared Temperature Measurement Instruments, Recorders Relative Humidity Measurement Instruments, RTD Probes, Elements and Assemblies, Temperature & Process Meters, Timers and Counters, Temperature and Process Controllers and Power Switching Devices, Thermistor Elements, Probes and Assemblies, Thermocouples Thermowells and Head and Well Assemblies, Transmitters, Wire

### • Flow and Level

Air Velocity Indicators, Doppler Flowmeters, Level Measurement, Magnetic Flowmeters, Mass Flowmeters, Pitot Tubes, Pumps, Rotameters, Turbine and Paddle Wheel Flowmeters, Ultrasonic Flowmeters, Valves, Variable Area Flowmeters, Vortex Shedding Flowmeters

### • pH and Conductivity

Conductivity Instrumentation, Dissolved Oxygen Instrumentation, Environmental Instrumentation, pH Electrodes and Instruments, Water and Soil Analysis Instrumentation

### • Data Acquisition

Auto-Dialers and Alarm Monitoring Systems, Communication Products and Converters, Data Acquisition and Analysis Software, Data Loggers Plug-in Cards, Signal Conditioners, USB, RS232, RS485 and Parallel Port Data Acquisition Systems, Wireless Transmitters and Receivers

### • Pressure, Strain and Force

Displacement Transducers, Dynamic Measurement Force Sensors, Instrumentation for Pressure and Strain Measurements, Load Cells, Pressure Gauges, Pressure Reference Section, Pressure Switches, Pressure Transducers, Proximity Transducers, Regulators, Strain Gages, Torque Transducers, Valves

### • Heaters

Band Heaters, Cartridge Heaters, Circulation Heaters, Comfort Heaters, Controllers, Meters and Switching Devices, Flexible Heaters, General Test and Measurement Instruments, Heater Hook-up Wire, Heating Cable Systems, Immersion Heaters, Process Air and Duct, Heaters, Radiant Heaters, Strip Heaters, Tubular Heaters