



FL500 Series



In-Line Flowmeters and Switch Kits



Operator's Manual



OMEGAnetSM On-Line Service http://www.omega.com	Internet e-mail info@omega.com
---	--

Servicing North America:

USA:
ISO 9001 Certified One Omega Drive, Box 4047
Stamford, CT 06907-0047
Tel: (203) 359-1660 FAX: (203) 359-7700
e-mail: info@omega.com

Canada:
976 Bergar
Laval (Quebec) H7L 5A1
Tel: (514) 856-6928 FAX: (514) 856-6886
e-mail: canada@omega.com

For immediate technical or application assistance:

USA and Canada: Sales Service: 1-800-826-6342 / 1-800-TC-OMEGASM
Customer Service: 1-800-622-2378 / 1-800-622-BESTSM
Engineering Service: 1-800-872-9436 / 1-800-USA-WHENSM
TELEX: 996404 EASYLINK: 62968934 CABLE: OMEGA

Mexico and Latin America: Tel: (95) 800-TC-OMEGASM FAX: (95) 203-359-7807
En Español: (203) 359-1660 ext: 2203 e-mail: espanol@omega.com

Servicing Europe:

Benelux: Postbus 8034, 1180 LA Amstelveen, The Netherlands
Tel: (31) 20 6418405 FAX: (31) 20 6434643
Toll Free in Benelux: 06 0993344
e-mail: nl@omega.com

Czech Republic: Ostravska 767, 733 01 Karvina
Tel: 42 (69) 6311899 FAX: 42 (69) 6311114
e-mail: czech@omega.com

France: 9, rue Denis Papin, 78190 Trappes
Tel: 33 0130-621-400 FAX: 33 0130-699-120
Toll Free in France: 05-4-06342
e-mail: france@omega.com

Germany/Austria: Daimlerstrasse 26, D-75392 Deckenpfronn, Germany
Tel: 49 (07056) 3017 FAX: 49 (07056) 8540
Toll Free in Germany: 0130 11 21 66
e-mail: germany@omega.com

United Kingdom: ISO 9002 Certified 25 Swannington Road, P.O. Box 7, Omega Drive,
Broughton Astley, Leicestershire, Irlam, Manchester,
LE9 6TU, England M44 5EX, England
Tel: 44 (1455) 285520 Tel: 44 (161) 777-6611
FAX: 44 (1455) 283912 FAX: 44 (161) 777-6622
Toll Free in England: 0800-488-488
e-mail: uk@omega.com

It is the policy of OMEGA to comply with all worldwide safety and EMC/EMI regulations that apply. OMEGA is constantly pursuing certification of its products to the European New Approach Directives. OMEGA will add the CE mark to every appropriate device upon certification.

The information contained in this document is believed to be correct but OMEGA Engineering, Inc. accepts no liability for any errors it contains, and reserves the right to alter specifications without notice.

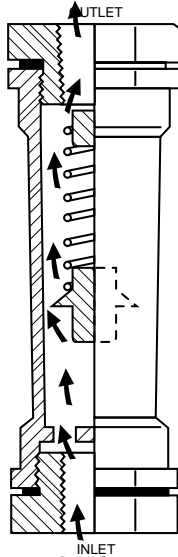
WARNING: These products are not designed for use in, and should not be used for, patient connected applications.



FL-500 Series In-Line Flowmeters and Switch Kits

HOW IT WORKS

Fluid enters at end marked "IN" and forces the piston to move with it, against spring pressure, enough to pass given flow around piston periphery. The knife edge of the piston is visible through the transparent housing; its position under the printed scale gives the flow rate.



Flow tube is PVC or polysulphone plastic

FLUID Temp.		Max. Pressure			
(°F)	(°C)	Liquid		Air	
		PSIG	kPa	PSIG	kPa
PVC					
70	21	200	1379	100	690
100	38	100	690	50	345
125	52	75	517	35	241
150	65	50	345	25	172
POLYSULPHONE					
230	110	250	1724	125	862

(Minimum temperature: -20 °F.)

SELECTION TABLE

Each of the models carries scales for all media shown

Model No.	Maximum Flow Rates	
	Water	Air 90 PSI
FL-505	5 gpm 20 lpm	50 scfm 1400 slpm
FL-510	10 gpm 38 lpm	90 scfm 2500 slpm
FL-515	15 gpm 55 lpm	135 scfm 3900 slpm
FL-530	30 gpm 110 lpm	300 scfm 8000 slpm
FL-540	40 gpm 150 lpm	400 scfm 11000 slpm
FL-550	50 gpm 200 lpm	500 scfm 14000 slpm

Installation

Inlet and outlet ends are marked on the flow meter body, and an arrow on the printed scale indicates flow direction. Insite flow meters can be mounted in any convenient orientation (vertical, horizontal or anything in-between) without affecting performance. The end fittings are connected to the plastic body with O-ring sealed straight threads and don't need to be highly torqued to prevent leakage. These fittings accept pipe with tapered threads (NPT). Teflon tape should be used on the pipe threads and standard torques applied, to make leak-free connections. Put your wrench only on the end fitting when piping on. **Do not apply wrenches on the plastic body alone when connecting to pipe.**

Many users find that a disconnect fitting, installed upstream of the flow meter, makes for easier removal of the flow meter, for cleaning internals. Control valves should be installed downstream of the flow meters.

Two scales are provided. One for liquid and one for air/nitrogen gasses. Air/nitrogen gas meters are calibrated in SCFM. The air/nitrogen scale is calibrated at 90 PSI pressure and 70°F temperature. If the flow meter is used with air at pressures and/or temperatures that differ from the above, correction factors can be applied to a 90-psi air scale readings to get correct SCFM values. See Tables.

High pressure air vented to atmosphere through the Insite flow meter may result in erratic readings. When used to measure high pressure air, it is recommended that a vent valve be installed downstream of the flow meter.

Correction factors when monitoring air flow at other than 90 PSI at 70°F

TABLE 1 PRESSURE

PSIG	10	20	30	40	50	60	70	80	90	100
Factor	.49	.58	.65	.72	.79	.84	.90	.95	1.00	1.05

TABLE 2 TEMPERATURE

Temp °F	30	50	70	90	120	150
Factor	1.04	1.02	1.00	0.98	0.96	0.93

When operating at a pressure other than 90 PSIG multiply the applicable factor to the SCFM reading on the tube for corrected SCFM reading.

Maintenance

Normally, the only servicing required is a periodic cleaning of the tube and three internal parts. Use wrenches on the end fittings to remove the flow meter from the line. **Do not apply wrenches to the plastic body alone when breaking pipe connections.**

With the flow meter out of the line, completely remove the end fitting from the outlet end of the tube. Use a bent wire of other hook to grab the plastic shaft, piston and spring and remove from tube. Inspect all parts for damage. The interior of the tube can be swabbed out, and the parts wiped off, with a soft dry cloth. If dirt or residue cannot be removed with a dry cloth, use water and a mild non-abrasive soap. **DO NOT USE SOLVENT OF ANY KIND.** Replace any worn or damaged parts.

When reassembling the flow meter, be sure the piston is installed as shown in the drawing. Don't put in upside down. Inspect O-rings for damage and replace if necessary.

For Electric Signalling

Model FL-505, FL-510, and FL-515 flow meters can be equipped with one or two electric switches so that any flow



rate within the range of the meter can be made to trigger a signal (or signals). Switch settings are easily adjusted. They are supplied in kit form for installation in the field. Order No. FL-500-RI.

Model FL-530, FL-540 and FL-550 require switch kit #FL-500-R2.

Each switch kit consists of a ring shaped ceramic magnet that fits around the flow meter piston, and a proximity switch in a housing that clamps to the body of the flow

meter. As the magnet moves with the piston, its field trips the proximity switch. An adjustment screw changes the actuation point by moving the switch.

8 Watts @ 120 VAC/100 VDC. DO NOT EXCEED 300 MILLIAMPS BELOW 26 VAC/26VDC. Switch has three wires: Black for normally open, blue for normally closed, and white for common.

NOTE: Switch has a 25% of full scale operating band. Within the band, the switch activates. Above and below the band, the switch deactivates. Thus, one switch can be used as a deviation alarm.

SWITCH INSTALLATION

Step 1. Install the magnet. You must disassemble the flow meter to do this. Follow instructions found under the heading "Maintenance" on page 3. Remove piston from the shaft and **place the magnet between piston and spring. Be sure that the piston is installed as in the drawing, and the spring is seated on the magnet and piston.** Insert into tube and replace outlet end fittings.
 Step 2. Install the foam gasket. It has an adhesive on one side, covered with a protective paper. Peel off and press the gasket firmly into place on the switch housing.

Step 3. Install the switch housing on the flow meter body.

(A) If you are installing only one switch, push the capscrews through the switch housing tabs, and thread them into the half-collars, as shown. Use the washers provided. The nuts may be discarded.

(B) If you are installing two switches, match up the tabs on the two switch housings and push the capscrews through both collar tabs. Put the nuts on the threaded ends of the capscrews and tighten. Use the washers provided. (The half-collars and extra magnet may be discarded.)

NOTE: There is no "wrong orientation" of the switch housing. If you are installing two switch housings, they can both be oriented the same way, as in the photo, or one "up" and the other "down". Install to suit your needs in wiring and switch adjustment.

SETTING THE SWITCH POINTS

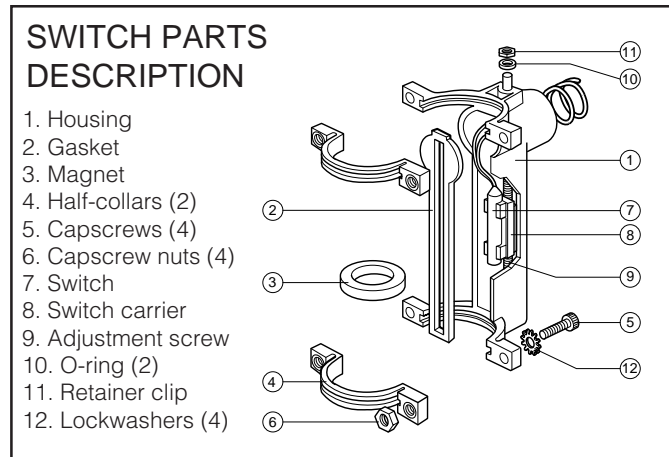
With flow meter installed:



Simply adjust the amount of flow to move the piston to the level on the indicator where a switch signal is desired, then turn the switch adjustment screw until switch actuates. (Switch moves toward the adjustment screw head as you turn it clockwise. Use an ohmmeter to determine actuation.) Repeat for second switch, if you are using two switches.

With flow meter NOT installed:

Simulate flow by pushing the eraser-end of a pencil (or a similar tool) through the inlet end of the tube, contacting the float, and moving it against the spring pressure until the knife edge of the float is at the desired reading on the scale. (If your unit has a 1/2 in. pipe fitting, remove it to gain better access.) Then, turn the switch adjustment screw till the switch actuates. (Switch moves toward the adjustment screw head as you turn it clockwise. Use an ohmmeter to determine actuation.) Repeat for a second switch, if you are using two switches.

When connecting the switch wires, leave enough lead length (as a pigtail) to allow full travel of the switch.

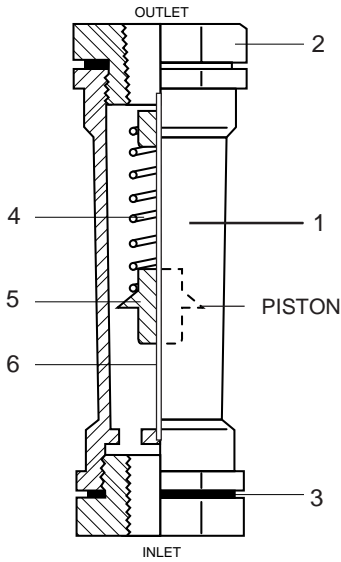


FL-500 SERIES SWITCH REPLACEMENT PARTS	
MAGNET (ONLY) Part # 1122	SWITCH (ONLY) Part # 1127
	

Replacement Parts

**1" PORT
MODELS**
FL-505
FL-510
FL-515

**1 1/2" PORT
MODELS**
FL-530
FL-540
FL-550



DESCRIPTION	PART NO.	
1. Flow tube	PVC	Polysulphone
Max reading, GPM scale: 5	1158-AS	1119-AS
	10	1159-AS
	15	1160-AS
	20	1147-AS
	30	1148-AS
	40	1149-AS
	50	1150-AS
	PVC	Polysulphone
	1147-AS	1173-AS
	1148-AS	1174-AS
	1149-AS	1175-AS
	1150-AS	1176-AS
2. End Fittings (2 req'd)		
Aluminum	1194-8	1196-12
Brass (Std.)	1193-8	1195-12
316 St. Steel	1188-8	476-12
PVC	1191-8	477-12
3. O-rings (2 req'd)		
Viton (brown)	1112	396
4. Spring (316 S.S.)	1115	1115
5. Piston (PVC)	1105	1105
6. Shaft (316 S.S.) and Guide (PVC)	1103	1139

When ordering replacement flow tubes verify correct material of construction marked clearly on the old scale.

DIMENSIONS

Models FL-505 thru FL-515 are 7 inches long, 2 inches across the wrench flats.
Models FL-530 thru FL-550 are 7 inches long, 3 inches across the wrench flats.



WARRANTY/DISCLAIMER

OMEGA ENGINEERING, INC. warrants this unit to be free of defects in materials and workmanship for a period of **13 months** from date of purchase. OMEGA Warranty adds an additional one (1) month grace period to the normal **one (1) year product warranty** to cover handling and shipping time. This ensures that OMEGA's customers receive maximum coverage on each product.

If the unit should malfunction, it must be returned to the factory for evaluation. OMEGA's Customer Service Department will issue an Authorized Return (AR) number immediately upon phone or written request. Upon examination by OMEGA, if the unit is found to be defective it will be repaired or replaced at no charge. OMEGA's WARRANTY does not apply to defects resulting from any action of the purchaser, including but not limited to mishandling, improper interfacing, operation outside of design limits, improper repair, or unauthorized modification. This WARRANTY is VOID if the unit shows evidence of having been tampered with or shows evidence of being damaged as a result of excessive corrosion; or current, heat, moisture or vibration; improper specification; misapplication; misuse or other operating conditions outside of OMEGA's control. Components which wear are not warranted, including but not limited to contact points, fuses, and triacs.

OMEGA is pleased to offer suggestions on the use of its various products. However, OMEGA neither assumes responsibility for any omissions or errors nor assumes liability for any damages that result from the use of its products in accordance with information provided by OMEGA, either verbal or written. OMEGA warrants only that the parts manufactured by it will be as specified and free of defects. OMEGA MAKES NO OTHER WARRANTIES OR REPRESENTATIONS OF ANY KIND WHATSOEVER, EXPRESSED OR IMPLIED, EXCEPT THAT OF TITLE, AND ALL IMPLIED WARRANTIES INCLUDING ANY WARRANTY OF MERCHANTABILITY AND FITNESS FOR A PARTICULAR PURPOSE ARE HEREBY DISCLAIMED. LIMITATION OF LIABILITY: The remedies of purchaser set forth herein are exclusive and the total liability of OMEGA with respect to this order, whether based on contract, warranty, negligence, indemnification, strict liability or otherwise, shall not exceed the purchase price of the component upon which liability is based. In no event shall OMEGA be liable for consequential, incidental or special damages.

CONDITIONS: Equipment sold by OMEGA is not intended to be used, nor shall it be used: (1) as a "Basic Component" under 10 CFR 21 (NRC), used in or with any nuclear installation or activity; or (2) in medical applications or used on humans. Should any Product(s) be used in or with any nuclear installation or activity, medical application, used on humans, or misused in any way, OMEGA assumes no responsibility as set forth in our basic WARRANTY/DISCLAIMER language, and additionally, purchaser will indemnify OMEGA and hold OMEGA harmless from any liability or damage whatsoever arising out of the use of the Product(s) in such a manner.

RETURN REQUESTS / INQUIRIES

Direct all warranty and repair requests/inquiries to the OMEGA Customer Service Department. BEFORE RETURNING ANY PRODUCT(S) TO OMEGA, PURCHASER MUST OBTAIN AN AUTHORIZED RETURN (AR) NUMBER FROM OMEGA'S CUSTOMER SERVICE DEPARTMENT (IN ORDER TO AVOID PROCESSING DELAYS). The assigned AR number should then be marked on the outside of the return package and on any correspondence.

The purchaser is responsible for shipping charges, freight, insurance and proper packaging to prevent breakage in transit.

FOR **WARRANTY** RETURNS, please have the following information available BEFORE contacting OMEGA:

1. P.O. number under which the product was PURCHASED,
2. Model and serial number of the product under warranty, and
3. Repair instructions and/or specific problems relative to the product.

FOR **NON-WARRANTY** REPAIRS, consult OMEGA for current repair charges. Have the following information available BEFORE contacting OMEGA:

1. P.O. number to cover the COST of the repair,
2. Model and serial number of product, and
3. Repair instructions and/or specific problems relative to the product.

OMEGA's policy is to make running changes, not model changes, whenever an improvement is possible. This affords our customers the latest in technology and engineering.

OMEGA is a registered trademark of OMEGA ENGINEERING, INC.

© Copyright 1996 OMEGA ENGINEERING, INC. All rights reserved. This document may not be copied, photocopied, reproduced, translated, or reduced to any electronic medium or machine-readable form, in whole or in part, without prior written consent of OMEGA ENGINEERING, INC.

Where Do I Find Everything I Need for Process Measurement and Control? OMEGA...Of Course!

TEMPERATURE

- ☑ Thermocouple, RTD & Thermistor Probes, Connectors, Panels & Assemblies
- ☑ Wire: Thermocouple, RTD & Thermistor
- ☑ Calibrators & Ice Point References
- ☑ Recorders, Controllers & Process Monitors
- ☑ Infrared Pyrometers

PRESSURE, STRAIN AND FORCE

- ☑ Transducers & Strain Gauges
- ☑ Load Cells & Pressure Gauges
- ☑ Displacement Transducers
- ☑ Instrumentation & Accessories

FLOW/LEVEL

- ☑ Rotameters, Gas Mass Flowmeters & Flow Computers
- ☑ Air Velocity Indicators
- ☑ Turbine/Paddlewheel Systems
- ☑ Totalizers & Batch Controllers

pH/CONDUCTIVITY

- ☑ pH Electrodes, Testers & Accessories
- ☑ Benchtop/Laboratory Meters
- ☑ Controllers, Calibrators, Simulators & Pumps
- ☑ Industrial pH & Conductivity Equipment

DATA ACQUISITION

- ☑ Data Acquisition & Engineering Software
- ☑ Communications-Based Acquisition Systems
- ☑ Plug-in Cards for Apple, IBM & Compatibles
- ☑ Datalogging Systems
- ☑ Recorders, Printers & Plotters

HEATERS

- ☑ Heating Cable
- ☑ Cartridge & Strip Heaters
- ☑ Immersion & Band Heaters
- ☑ Flexible Heaters
- ☑ Laboratory Heaters

ENVIRONMENTAL MONITORING AND CONTROL

- ☑ Metering & Control Instrumentation
- ☑ Refractometers
- ☑ Pumps & Tubing
- ☑ Air, Soil & Water Monitors
- ☑ Industrial Water & Wastewater Treatment
- ☑ pH, Conductivity & Dissolved Oxygen Instruments

