

Series 445S Standard Threaded Well for Industrial Glass Thermometers *



Application:

Fits liquid-in-glass thermometers made to S.A.M.A. standards. Tapered bore is made 0.008" oversize to eliminate possibility of thermometer bulb expanding into the well, thus preventing removal.

Connection Size:

3/4 and 1 NPT are standard. Other thread sizes are available upon request.

Protective Coatings for Thermowells:

- Resist Corrosion
- For Chemical Baths
- Color-Coded Sensors for Process Control

* See Vapor Actuated Assembly on page E-17 for Additional Wells in the 445 Series

- Available in PFA, Epoxy and other materials. Consult Sales Department for complete information.

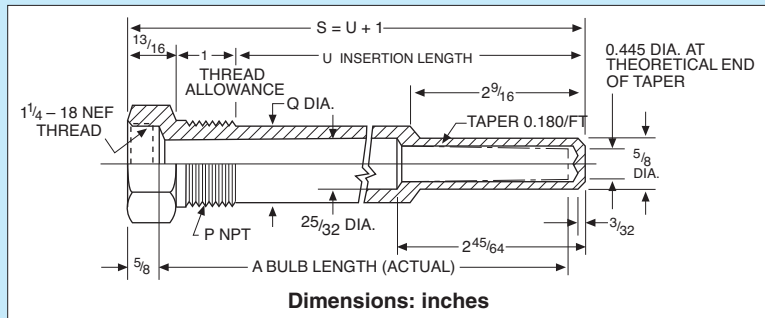
Materials:

Carbon Steel (C-1018), Brass (ASTM B-16), A.I.S.I. 304, A.I.S.I. 316, Monel®. Many other materials available upon request.

Additional Designs:

Other designs of wells to fit this class of thermometer are available. These include socket weld, heavy duty and flanged types.

Series 445S—General Use



Metric Models Available!
See Pages B-37 and B-38

Shown smaller than actual size.

MOST POPULAR MODELS HIGHLIGHTED!

| Ext Thread P | Model Number | Materials and Prices | | | | Nominal Bulb Lgth | Bulb Lgth A | Insert Lgth U | Shank Dia. Q |
|------------------|--------------------|----------------------|---------------------|--------------|-------|-------------------|-------------|---------------|--------------|
| | | Stainless Steel 304 | Stainless Steel 316 | Carbon Steel | Brass | | | | |
| 3/4 NPT | 3/4-445S-S31/2-(*) | \$85 | \$95 | \$75 | \$75 | 3 1/2 | 3 5/8 | 2 9/16 | — |
| | 3/4-445S-S6-(*) | 125 | 135 | 115 | 115 | 6 | 6 1/8 | 5 1/16 | 7/8 |
| | 3/4-445S-S9-(*) | 175 | 190 | 115 | 115 | 9 | 9 1/8 | 8 1/16 | 7/8 |
| | 3/4-445S-S12-(*) | 230 | 245 | 220 | 220 | 12 | 12 1/8 | 11 1/16 | 7/8 |
| | 3/4-445S-S18-(*) | 290 | 310 | 275 | 275 | 18 | 18 1/8 | 17 1/16 | 7/8 |
| 3/4-445S-S24-(*) | 360 | 380 | 340 | 340 | 24 | 24 1/8 | 23 1/16 | 7/8 | |
| 1 NPT | 1-445S-S31/2-(*) | \$85 | \$95 | \$75 | \$75 | 3 1/2 | 3 5/8 | 2 9/16 | — |
| | 1-445S-S6-(*) | 125 | 135 | 115 | 115 | 6 | 6 1/8 | 5 1/16 | 1 |
| | 1-445S-S9-(*) | 175 | 190 | 115 | 115 | 9 | 9 1/8 | 8 1/16 | 1 |
| | 1-445S-S12-(*) | 230 | 245 | 220 | 220 | 12 | 12 1/8 | 11 1/16 | 1 |
| | 1-445S-S18-(*) | 290 | 310 | 275 | 275 | 18 | 18 1/8 | 17 1/16 | 1 |
| 1-445S-S24-(*) | 360 | 380 | 340 | 340 | 24 | 24 1/8 | 23 1/16 | 1 | |

* Specify material type "304SS" for 304 Stainless Steel, "316SS" for 316 Stainless Steel, "CS" for Carbon Steel or "BRASS" for brass. PFA coating available, see page B-16.

Ordering Example: 3/4-445S-S6E-304SS, 304 stainless steel thermowell with 3/4 NPT external thread, 0.445" internal diameter for a glass thermometer, 5/16" insertion length and a 6" nominal bulb length, \$125.

For Assistance in Choosing Head and Well Assemblies, See guide on page B-5. These wells are compatible with OMEGA® NB1, NB2 (page B-8); PR-12, PR-14, and NPT-style probes (page C-93), as well as DialTemp™ Thermometers (page E-11).

Pressure-Temperature rating—lb per square inch

| Well Type | Material | Temperature — °F | | | | | |
|------------------------------------|--------------|------------------|------|------|------|------|-------|
| | | 70° | 200° | 400° | 600° | 800° | 1000° |
| 3/4"-445S and 3/4"-445L (See Note) | Brass | 640 | 575 | 100 | — | — | — |
| | Carbon Steel | 720 | 690 | 660 | 630 | 480 | 210 |
| | A.I.S.I. 304 | 940 | 850 | 770 | 740 | 720 | 625 |
| | A.I.S.I. 316 | 940 | 940 | 875 | 850 | 840 | 700 |
| 1"-445S and 1"-445L (See Note) | Brass | 1470 | 1320 | 230 | — | — | — |
| | Carbon Steel | 1650 | 1590 | 1520 | 1450 | 1100 | 480 |
| | A.I.S.I.-304 | 2150 | 1950 | 1770 | 1710 | 1670 | 1430 |
| | A.I.S.I.-316 | 2150 | 2150 | 2010 | 1960 | 1920 | 1610 |
| | Monel | 2070 | 1900 | 1700 | 1690 | 1640 | 480 |

Note: Wells with 2 9/16" insertion length have three times the pressure ratings shown. See Page B-31 for Maximum Fluid Velocity.

Increase Response Rate!
Use OT-201 Conductive Silicon Paste; see page B-40.

| Discount Schedule | |
|-------------------|-----------------------------|
| 1-10.....Net | 25-100.....20% |
| 11-24.....10% | 101 and up....Consult Sales |

Discounts apply to similar thermowells.





UNITED STATES

www.omega.com
1-800-TC-OMEGA
Stamford, CT.

CANADA

www.omega.ca
Laval(Quebec)
1-800-TC-OMEGA

GERMANY

www.omega.de
Deckenpfronn, Germany
0800-8266342

UNITED KINGDOM

www.omega.co.uk
Manchester, England
0800-488-488

FRANCE

www.omega.fr
Guyancourt, France
088-466-342

CZECH REPUBLIC

www.omegaeng.cz
Karviná, Czech Republic
596-311-899

BENELUX

www.omega.nl
Amstelveen, NL
0800-099-33-44



More than 100,000 Products Available!

• Temperature

Calibrators, Connectors, General Test and Measurement Instruments, Glass Bulb Thermometers, Handheld Instruments for Temperature Measurement, Ice Point References, Indicating Labels, Crayons, Cements and Lacquers, Infrared Temperature Measurement Instruments, Recorders Relative Humidity Measurement Instruments, RTD Probes, Elements and Assemblies, Temperature & Process Meters, Timers and Counters, Temperature and Process Controllers and Power Switching Devices, Thermistor Elements, Probes and Assemblies, Thermocouples Thermowells and Head and Well Assemblies, Transmitters, Wire

• Flow and Level

Air Velocity Indicators, Doppler Flowmeters, Level Measurement, Magnetic Flowmeters, Mass Flowmeters, Pitot Tubes, Pumps, Rotameters, Turbine and Paddle Wheel Flowmeters, Ultrasonic Flowmeters, Valves, Variable Area Flowmeters, Vortex Shedding Flowmeters

• pH and Conductivity

Conductivity Instrumentation, Dissolved Oxygen Instrumentation, Environmental Instrumentation, pH Electrodes and Instruments, Water and Soil Analysis Instrumentation

• Data Acquisition

Auto-Dialers and Alarm Monitoring Systems, Communication Products and Converters, Data Acquisition and Analysis Software, Data Loggers Plug-in Cards, Signal Conditioners, USB, RS232, RS485 and Parallel Port Data Acquisition Systems, Wireless Transmitters and Receivers

• Pressure, Strain and Force

Displacement Transducers, Dynamic Measurement Force Sensors, Instrumentation for Pressure and Strain Measurements, Load Cells, Pressure Gauges, Pressure Reference Section, Pressure Switches, Pressure Transducers, Proximity Transducers, Regulators, Strain Gages, Torque Transducers, Valves

• Heaters

Band Heaters, Cartridge Heaters, Circulation Heaters, Comfort Heaters, Controllers, Meters and Switching Devices, Flexible Heaters, General Test and Measurement Instruments, Heater Hook-up Wire, Heating Cable Systems, Immersion Heaters, Process Air and Duct, Heaters, Radiant Heaters, Strip Heaters, Tubular Heaters