

NEMA 4X NON-METALLIC POLYCARBONATE ENCLOSURES

AMP Series Electrical Junction Boxes



- Suited for Higher Temperatures or Corrosive Environments
- Protect Controls and Components Indoor or Outdoors
- UL 94 Flammability Rating
- UV Stabilized for Outdoor Use
- Molded-in Hinge with Stainless Steel Hinge Pin
- Solid or Clear Cover with Screw or Latch Closures
- Optional Sub-Panels Available
- Molded-in Bosses for Direct Mounting of DIN Rail
- Raised Cover with Additional Depth for Optional Front Panel
- Factory Installed Mounting Flanges or Polycarbonate Mounting Feet Included

AMP series non-metallic polycarbonate enclosures are designed to insulate and protect electrical controls and components in both indoor and outdoor applications and are especially well suited for higher temperatures and corrosive environments. These NEMA 4X and IP66 plastic junction boxes feature raised covers with a variety of screw or latching options that allow you to provide the level of security or ease of access needed for each application. Hinged models are constructed with a stainless steel hinge pin and padlocking latches are available in stainless steel or non-corrosive plastic snap latches.

The AMP series enclosure are well suitable for mild acid conditions such as aluminum chloride, boric acid, calcium chloride, sea water, sodium nitrate and zinc chloride.

OM-AM series plastic enclosures are available with the added feature of a raised cover. The cover adds an additional 22 mm (0.88") of depth to accommodate meters and controllers, switches and other devices, and can be used with the optional front panel for maximum configuration within a single enclosure.



AMP664F, enclosure with screw closure and factory installed mounting feet, shown smaller than actual size.



AMP1206CCNLFF, enclosure with clear cover, shown with aluminum sub-panel OM-PLA120, and front panel kit OM-HFPP120.

SPECIFICATIONS

Standards: UL50, UL50E, UL508A and UL706C

UL Types: 1, 2, 3, 4, 4X, 12 and 13

CSA-C22: No. 14

CAN/CSA-C22: No.94

CSA Types: 1, 2, 3, 3R, 4, 4X, 12 and 13

NEMA Types: 1, 2, 3, 3R, 4, 4X, 12 and 13

IEC 60529: Type IP66

CONSTRUCTION

Materials: Injection molded polycarbonate thermoplastic

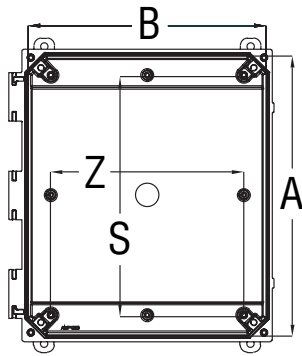
Temperature Rating: -35 to 130°C (-31 to 266°F)

Hinge: Molded hinge with stainless steel pin

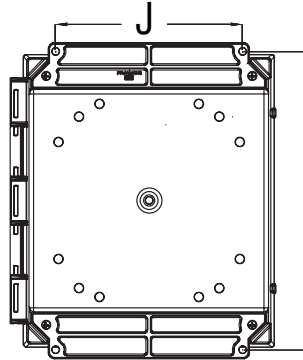
Color: Light gray – RAL#7035

Cover Seal: Closed cell neoprene, in continuous tongue and groove channel

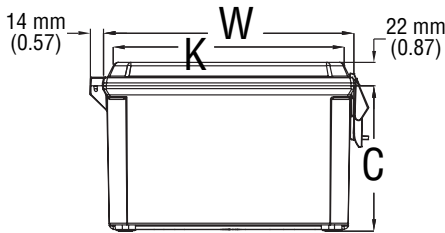
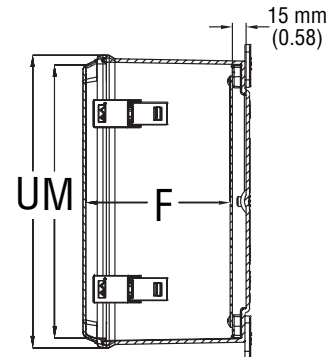
Internal Mounting: #10-32 threaded brass inserts for sub-panel, plastic bosses for DIN rail for #10 sheet metal screws



NOTE: COVER REMOVED FOR CLARITY

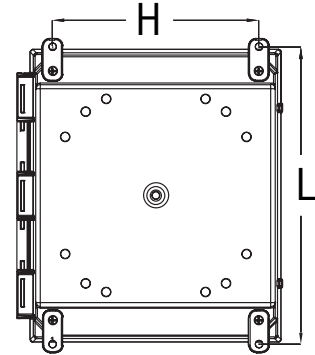
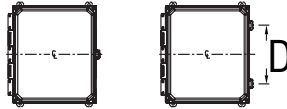


FLANGE MOUNT



LATCH LOCATIONS

FOR USE ON 6 x 6 x 4 FOR USE ON 12 x 10 x 6 D = 191 mm (7.50)
 8 x 6 x 4 14 x 12 x 6 D = 203 mm (8.00)
 10 x 8 x 4



FOOT MOUNT

DIMENSIONS: mm (in)															
	BOX SIZE INSIDE DIMENSIONS			USABLE DEPTH	PANEL BOSS CENTERS			FLANGE MOUNT CENTERS		FOOT MOUNT CENTERS		COVER SIZE			
	A	B	C		F	S	Z	J	I	H	L	K	M	W	U
AMP664	151 (5.93)	156 (6.16)	101 (3.98)	106 (4.18)	108 (4.25)	108 (4.25)	102 (4.00)	173 (6.81)	125 (4.91)	171 (6.75)	150 (5.89)	144 (5.67)	171 (6.72)	165 (6.50)	
AMP864	202 (7.94)	156 (6.16)	101 (3.98)	106 (4.18)	159 (6.25)	108 (4.25)	102 (4.00)	224 (8.81)	125 (4.91)	222 (8.75)	150 (5.89)	195 (7.67)	171 (6.72)	216 (8.50)	
AMP1084	252 (9.93)	207 (8.16)	101 (3.98)	106 (4.18)	210 (8.25)	159 (6.25)	152 (6.00)	273 (10.75)	175 (6.91)	273 (10.75)	200 (7.89)	246 (9.67)	221 (8.72)	267 (10.50)	
AMP1206	303 (11.93)	258 (10.16)	152 (5.98)	157 (6.18)	260 (10.25)	210 (8.25)	203 (8.00)	324 (12.75)	224 (8.82)	323 (12.75)	251 (9.89)	296 (11.67)	272 (10.72)	318 (12.50)	
AMP1426	354 (13.93)	309 (12.16)	152 (5.98)	157 (6.18)	311 (12.25)	260 (10.25)	254 (10.00)	373 (14.68)	275 (10.82)	373 (14.75)	302 (11.89)	347 (13.67)	323 (12.72)	368 (14.50)	

Nominal wall thickness 3.7 mm (0.14")

DIMENSIONS: mm (in)									
MODEL NO.	SUB-PANEL	FRONT PANEL	WITH ALUMINUM SUB-PANEL		WITHOUT SUB-PANEL		C	D-MIN	D-MAX*
			A-MIN	A-MAX	B-MIN	B-MAX			
AMP664	AMP-PLA66	OM-HFPP66	43 (1.71)	82 (3.21)	62 (2.39)	99 (3.89)	15 (0.58)	22 (0.88)	60 (2.38)
AMP864	AMP-PLA86	OM-HFPP86	43 (1.71)	82 (3.21)	62 (2.39)	99 (3.89)	15 (0.58)	22 (0.88)	60 (2.38)
AMP1084	AMP-PLA108	OM-HFPP108	43 (1.71)	82 (3.21)	62 (2.39)	99 (3.89)	15 (0.58)	22 (0.88)	60 (2.38)
AMP1206	AMP-PLA120	OM-HFPP120	94 (3.71)	132 (5.21)	112 (4.39)	150 (5.89)	15 (0.58)	22 (0.88)	60 (2.38)
AMP1426	AMP-PLA142	OM-HFPP142	94 (3.71)	132 (5.21)	112 (4.39)	150 (5.89)	15 (0.58)	22 (0.88)	60 (2.38)

Note: Aluminum sub-panels are 2.54 mm (0.100") thick, steel sub-panels are 1.91 mm (0.75") thick.

* Front panel stops can be installed from the edge of the box to 1.5" deep into the box.



Detail of plastic latch front panel.



Closures

- Lift-off cover with four screws
- Molded-in hinge with two screws
- Molded-in hinge with padlocking SS snap latch
- Molded-in hinge with padlocking plastic snap latch



Solid cover with 4 screws.



Solid cover with SS latch.



Clear cover with plastic latch and front panel.

ACCESSORIES		TO ORDER VISIT omega.com/amp for Pricing and Details
MODEL NO,	DESCRIPTION	
SCE-6P6	Carbon steel sub-panel for 6 x 6 enclosure - painted white	
SCE-8P6	Carbon steel sub-panel for 8 x 6 enclosure - painted white	
SCE-10P8	Carbon steel sub-panel for 10 x 8 enclosure - painted white	
SCE-12P10	Carbon steel sub-panel for 12 x 10 enclosure - painted white	
SCE-14P12	Carbon steel sub-panel for 14 x 12 enclosure - painted white	
AMP-PLA66	Aluminum sub-panel for 6 x 6 enclosure	
AMP-PLA86	Aluminum sub-panel for 8 x 6 enclosure	
AMP-PLA108	Aluminum sub-panel for 10 x 8 enclosure	
AMP-PLA120	Aluminum sub-panel for 12 x 10 enclosure	
AMP-PLA142	Aluminum sub-panel for 14 x 12 enclosure	
OM-HFPP66	Hinged front panel kit for 6 x 6 enclosure	
OM-HFPP86	Hinged front panel kit for 8 x 6 enclosure	
OM-HFPP108	Hinged front panel kit for 10 x 8 enclosure	
OM-HFPP120	Hinged front panel kit for 12 x 10 enclosure	
OM-HFPP142	Hinged front panel kit for 14 x 12 enclosure	

To Order			
MODEL NO.	SIZE: INCHES	COVER	CLOSURE
AMP664F	6 H x 6 W x 4 D	Solid	4 Screws
AMP664HF	6 H x 6 W x 4 D	Solid	Hinge with 2 screws
AMP664CCF	6 H x 6 W x 4 D	Clear	4 Screws
AMP664CCHF	6 H x 6 W x 4 D	Clear	Hinge with 2 screws
AMP664NLF	6 H x 6 W x 4 D	Solid	Plastic Snap Latch
AMP664LF	6 H x 6 W x 4 D	Solid	SS Snap Latch
AMP664CCNLF	6 H x 6 W x 4 D	Clear	Plastic Snap Latch
AMP664CCLF	6 H x 6 W x 4 D	Clear	SS Snap Latch
AMP864F	8 H x 6 W x 4 D	Solid	4 Screws
AMP864HF	8 H x 6 W x 4 D	Solid	Hinge with 2 screws
AMP864CCF	8 H x 6 W x 4 D	Clear	4 Screws
AMP864CCHF	8 H x 6 W x 4 D	Clear	Hinge with 2 screws
AMP864NLF	8 H x 6 W x 4 D	Solid	Plastic Snap Latch
AMP864LF	8 H x 6 W x 4 D	Solid	SS Snap Latch
AMP864CCNLF	8 H x 6 W x 4 D	Clear	Plastic Snap Latch
AMP864CCLF	8 H x 6 W x 4 D	Clear	SS Snap Latch
AMP1084F	10 H x 8 W x 4 D	Solid	4 Screws
AMP1084HF	10 H x 8 W x 4 D	Solid	Hinge with 2 screws
AMP1084CCF	10 H x 8 W x 4 D	Clear	4 Screws
AMP1084CCHF	10 H x 8 W x 4 D	Clear	Hinge with 2 screws
AMP1084NLF	10 H x 8 W x 4 D	Solid	Plastic Snap Latch
AMP1084LF	10 H x 8 W x 4 D	Solid	SS Snap Latch
AMP1084CCNLF	10 H x 8 W x 4 D	Clear	Plastic Snap Latch
AMP1084CCLF	10 H x 8 W x 4 D	Clear	SS Snap Latch
AMP1206F	12 H x 10 W x 6 D	Solid	4 Screws
AMP1206HF	12 H x 10 W x 6 D	Solid	Hinge with 2 screws
AMP1206CCF	12 H x 10 W x 6 D	Clear	4 Screws
AMP1206NLF	12 H x 10 W x 6 D	Solid	Plastic Snap Latch
AMP1206CCHF	12 H x 10 W x 6 D	Clear	Hinge with 2 screws
AMP1206LF	12 H x 10 W x 6 D	Solid	SS Snap Latch
AMP1206CCNLF	12 H x 10 W x 6 D	Clear	Plastic Snap Latch
AMP1206CCLF	12 H x 10 W x 6 D	Clear	SS Snap Latch
AMP1426F	14 H x 12 W x 6 D	Solid	4 Screws
AMP1426HF	14 H x 12 W x 6 D	Solid	Hinge with 2 screws
AMP1426CCF	14 H x 12 W x 6 D	Clear	4 Screws
AMP1426CCHF	14 H x 12 W x 6 D	Clear	Hinge with 2 screws
AMP1426NLF	14 H x 12 W x 6 D	Solid	Plastic Snap Latch
AMP1426LF	14 H x 12 W x 6 D	Solid	SS Snap Latch
AMP1426CCNLF	14 H x 12 W x 6 D	Clear	Plastic Snap Latch
AMP1426CCLF	14 H x 12 W x 6 D	Clear	SS Snap Latch

Ordering Example: AMP664HF, solid cover enclosure with hinge and 2 screw closure.
AMP1206CCFL, clear cover enclosure with stainless steel snap latches, AMP-PLA120,
aluminum sub-panel for 12x10" enclosure.