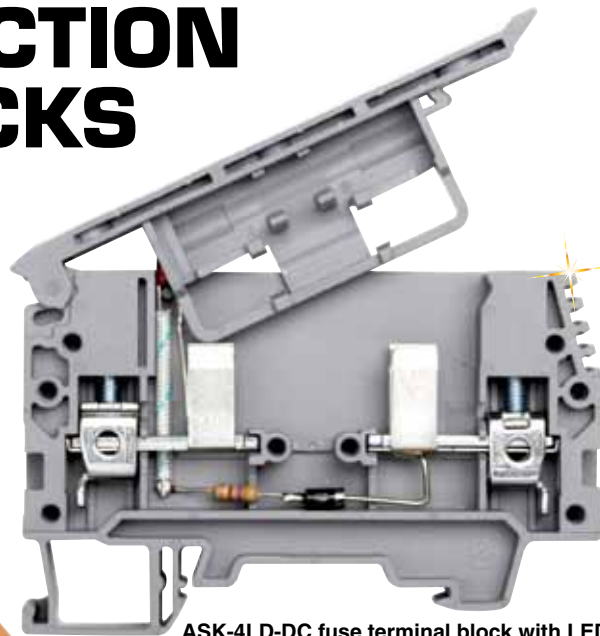


# DISCONNECT AND FUSE SCREW CONNECTION TERMINAL BLOCKS

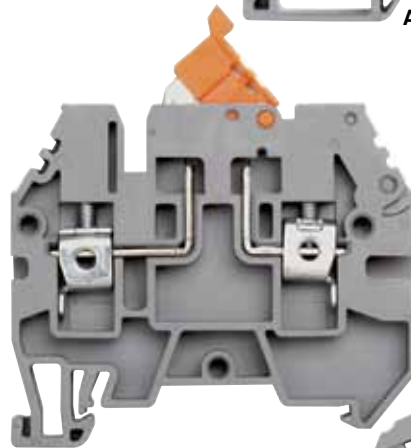
## ASK T-BLOCK Series

- Allows For Circuit to Be “Opened” Without Removing the Wire
- Enhanced Troubleshooting with LED Fuse Blown Indicators
- Sized for 5 x 20 mm, 5 x 25 mm or 1¼ x ¼” Fuses
- Screw Connection for Secure, Maintenance Free Connection
- Self-Locking Zinc Plated Wire Clamps
- Full Line of Accessories: End Plate, Cross Connectors and Marking Tags

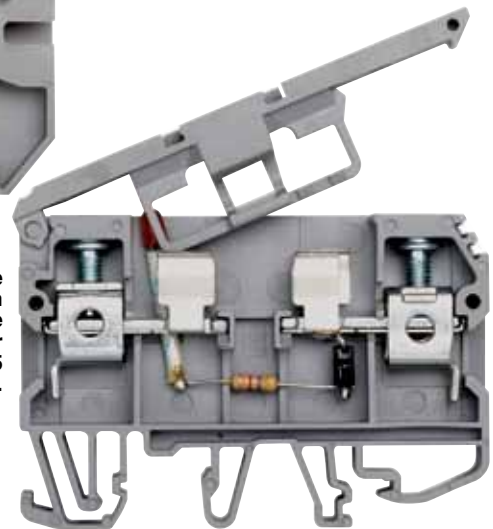
The ASK disconnect or fuse terminals allow a circuit to be “opened” without disconnecting the wire from the screw connections. These terminal blocks have screw connections for reliable and secure connections. The ASK-2S or ASK-2LD fuse terminals will hold 5 x 20 mm or 5 x 25 mm. The ASK-4S or ASK-4LD fuse terminals will hold a 1¼ x ¼” fuses. They’re available for 24 Vdc or 110 Vac. The “LD” models come with an LED blown fuse indicator. The ASK-3 A terminal is useful for analog circuits such as the 4 to 20 mA signals, the circuit can be opened the input or output currents can easily be read with a multimeter.



ASK-4LD-DC fuse terminal block with LED blown fuse indicator for 1¼ x ¼” .



ASK-3A feed through disconnect terminal block.

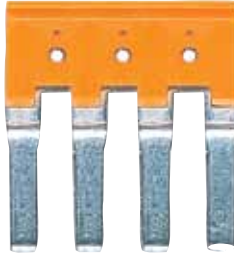


ASK-2LD-DC fuse terminal block with LED blown fuse indicator for 5 x 20 mm and 5 x 25 mm fuse.

All models shown actual size.

### SPECIFICATIONS

ELECTRICAL RATINGS	ASK-3A	ASK-2S	ASK-2LD	ASK-4S	ASL-4LD
Voltage/Current	500V/24 A	500V/6.3 A	500V/6.3 A	750V/6.3 A	750V/6.3 A
UL	600V/16 A	300V/6.3 A	300V/6.3 A	600V/6.3 A	600V/6.3 A
Insulation Strip Length	10 mm	12 mm	12 mm	12 mm	12 mm
AWG	26-10	26-8	26-8	22-8	22-8
Width	6 mm	8 mm	8 mm	10 mm	10 mm
End Plate-Partition	ASK-3A-EP	ASK-2-EP	ASK-2-EP		
Cross-Connectors/2	OM-476239				
Cross-Connectors/3	OM-476233				
Cross-Connectors/4	OM-476234				
Cross-Connectors/10	OM-476235				



OM-476234 4-position jumper for ASK-3A terminal block shown larger than actual size.

To Order				
FEED THROUGH TERMINAL BLOCKS				
MODEL NO.	AMPS	AWG	FUSE SIZE	DESCRIPTION
ASK-3A	16	26-10		Disconnect feed through terminal block
ASK-2S	6.3	26-8	5 x 20 and 5 x 25 mm	300V fuse terminal block
ASK-2LD-AC	6.3	26-8	5 x 20 and 5 x 25 mm	110 Vac fuse terminal block with LED blown fuse indicator
ASK-2LD-DC	6.3	26-8	5 x 20 and 5 x 25 mm	24 Vdc fuse terminal block with LED blown fuse indicator
ASK-4S	6.3	22-8	1¼ x ¼"	600V fuse terminal block
ASK-4LD-AC	6.3	22-8	1¼ x ¼"	110 Vac fuse terminal block with LED blown fuse indicator
ASK-4LD-DC	6.3	22-8	1¼ x ¼"	24 Vdc fuse terminal block with LED blown fuse indicator

#### ACCESSORIES

MODEL NO.	DESCRIPTION	
ASK-2-EP	End plate-partition for ASK-2S and 2LD	
ASK-3A-EP	End plate-partition for ASK-3A	
T-BLK-EB	DIN rail end bracket	
CROSS CONNECTORS		
MODEL NO.	DESCRIPTION	
OM-476232	2 position screw connection jumper for ASK-3A terminals	
OM-476233	3 position screw connection jumper for ASK-3A terminals	
OM-476234	4 position screw connection jumper for ASK-3A terminals	
OM-476239	10 position screw connection jumper for ASK-3A terminals	
MARKING TAGS		
MODEL NO.	PCS/PER CARD	DESCRIPTION
MKR-NO-PRINT	50	Marking tag without print
MKR-1-10	50	Marking tag 1 to 10
MKR-11-20	50	Marking tag 11 to 20
MKR-1-50	50	Marking tag 1 to 50
MKR-51-100	50	Marking tag 51 to 100
MKR-101-150	50	Marking tag 101 to 150
MKR-151-200	50	Marking tag 151 to 200
MKR-201-250	50	Marking tag 201 to 250

Ordering Examples: ASK-3A, disconnect terminal block for 26-10 AWG rated for 16 A, plus ASK-3A-EP, end plate, and T-BLK-EB, end bracket. ASK-2LD-DC, use block terminal block with LED blown fuse indicator for 5 x 20 mm and 5 x 25 mm fuses, 6.3 A and 26-8 AWG.