

NORGREN EXCELON® FILTER-REGULATOR-LUBRICATOR COMBINATION UNITS

C72A Series

- True Modularity with Norgren Quikclamp® Connections
- Compact Design
- Filter Removes Liquids and Solid Particles Down to 5 µm
- Push-to-Lock Adjusting Knob with Tamper Resistant Option
- Micro-Fog Lubricator Provides Air Line Lubrication to One or More Air Driven Tools or Other Devices
- Nearly Constant Oil Density Output with Varying Air Flow
- Can be Disassembled Without the Use of Tools or Removal from Air Line



C74A

C74A-3AK-AD3-RMG-QDN shown smaller than actual size.

SPECIFICATIONS

Fluid: Compressed Air

Maximum Pressure:

Transparent Bowl: 150 psig (10 bar)

Metal Bowl:

Manual or Semiautomatic Drain: 250 psig (17 bar)

Automatic Drain: 150 psig (10 bar)

Operating Temperature*:

Transparent Bowl: -20 to 50°C (0 to 125°F)

Metal Bowl: -20 to 65°C (0 to 150°F)

Particle Removal: 5 or 40 µm filter element

MATERIALS

Body: Zinc

Bonnet: Acetal

Regulator Bottom Plug: Acetal

Transparent Bowl: Polycarbonate

Guard: Zinc

Metal: Zinc

Metal Bowl Liquid Level

Indicator Lens: Transparent nylon

Sight Feed Dome: Transparent nylon

Element: Sintered polypropylene

Elastomers: Neoprene and nitrile

* Air supply must be dry enough to avoid ice formation at temperatures below 2°C (35°F).

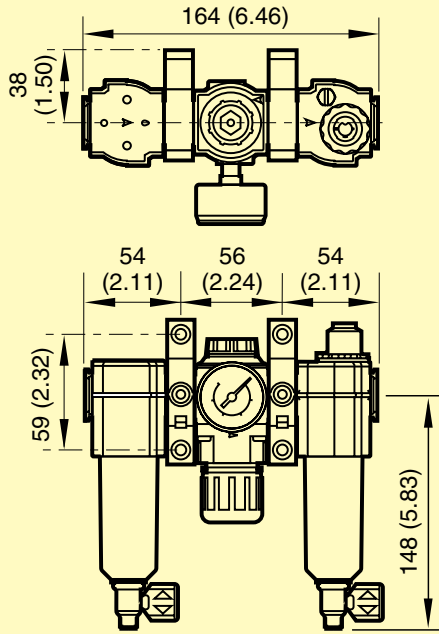


C72A

C72A-3AK-AL3-RMG-QLN shown smaller than actual size.

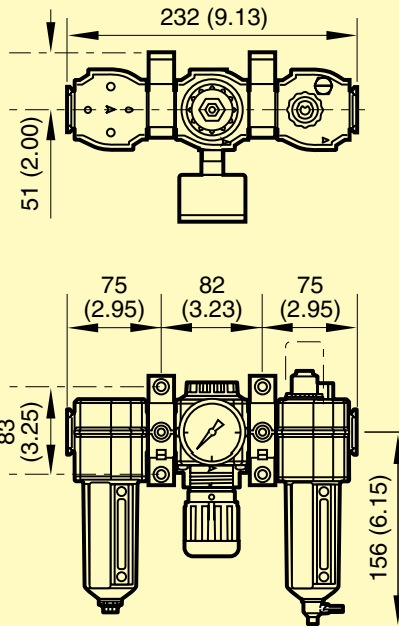
Dimensions: mm (inch)

Standard Micro-Fog Type C72A
Standard Oil-Fog Type C72B
Shown w/optional Quickclamp®
wall bracket



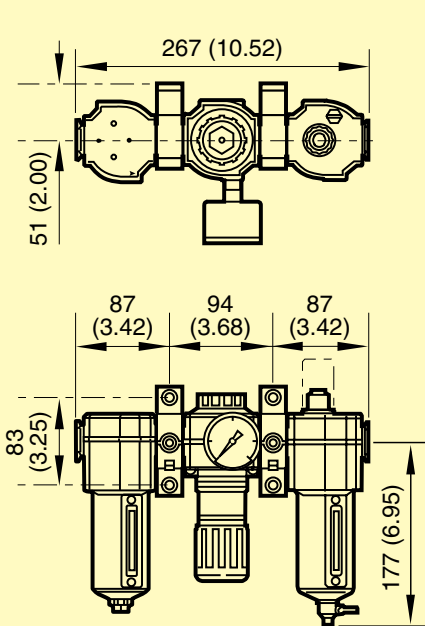
C72A

Standard Micro-Fog Type C73A
Standard Oil-Fog Type C73B
Shown w/optional Quickclamp®
wall bracket



C73A

Standard Micro-Fog Type C74A
Standard Oil-Fog Type C74B
Shown w/optional Quickclamp®
wall bracket



C74A

To Order

MODEL NO.	PORT SIZE (inch)	COMBINATION TYPE	WEIGHT kg (lb)
C72A-2AK-AL3-RMG-QLN	1/4	Standard micro-fog filter-regulator-lubricator combo	1.47 (3.23)
C72A-3AK-AL3-RMG-QLN	3/8	Standard micro-fog filter-regulator-lubricator combo	1.47 (3.23)
C73A-2AK-AD3-RMG-QDN	1/4	Standard micro-fog filter-regulator-lubricator combo	1.98 (4.36)
C73A-3AK-AD3-RMG-QDN	3/8	Standard micro-fog filter-regulator-lubricator combo	1.98 (4.36)
C73A-4AK-AD3-RMG-QDN	1/2	Standard micro-fog filter-regulator-lubricator combo	1.98 (4.36)
C74A-3AK-AD3-RMG-QDN	3/8	Standard micro-fog filter-regulator-lubricator combo	2.82 (6.22)
C74A-4AK-AD3-RMG-QDN	1/2	Standard micro-fog filter-regulator-lubricator combo	2.74 (6.04)

Notes: Models include PTF threads. Filter includes automatic drain, transparent bowl without guard and a 40 µm filter element. Lubricator is a micro-fog model with 1/4 turn manual drain and transparent bowl without guard.

Ordering Examples: C73A-2AK-AD3-RMG-QDN, combination filter-regulator-lubricator, includes a standard micro-fog lubricator with 1/4" PTF ports, knob pressure adjustment, automatic filter drain, metal filter bowl with liquid level indicator, 40 µm filter, relieving diaphragm, 5 to 150 psig regulating spring, with regulator gauge manual 1/4 turn drain and transparent lubricator bowl without guard.

C74A-3AK-AD3-RMG-QDN, combination filter-regulator-lubricator, includes a standard micro-fog lubricator with 3/8" PTF ports, knob pressure adjustment, automatic filter drain, metal filter bowl with liquid level indicator, 40 µm filter, relieving diaphragm, 5 to 150 psig regulating spring, manual 1/4 turn drain and metal lubricator bowl with liquid level indicator.