

NORGREN EXCELON[®] FILTER-REGULATOR/LUBRICATOR COMBINATION UNITS

C72H Series



C72H-2AK-AW3-RMG-QWN
shown smaller than actual size.



C74H-3AK-AD3-RMG-QDN
shown smaller than actual size.



- True Modularity with Norgren Quikclamp[®] Connections
- Quick Release Bayonet Bowl
- Lubricator Flow Sensor Provides a Nearly Constant Oil/Air Ratio Over a Wide Range of Air Flows
- All Around (360°) Visibility of the Lubricator Sight-Feed Dome Simplifies Installation and Adjustment
- Regulator Balanced Valve Minimizes Effect of Variation in the Inlet Pressure on the Outlet Pressure

SPECIFICATIONS

Fluid: Compressed air

Maximum Pressure:

Transparent Bowl: 10 bar (150 psig)

Metal Bowl:

Manual or Semiautomatic

Drain: 17 bar (250 psig)

Automatic Drain: 10 bar (150 psig)

Operating Temperature*:

Transparent Bowl:

-20 to 50°C (0 to 125°F)

Metal Bowl: -20 to 65°C (0 to 150°F)

Particle Removal: 5, 25, or 40 µm filter element

MATERIALS

Body: Zinc

Bonnet: Acetal

Transparent Bowl: Polycarbonate

Guard for Transparent Bowl: Zinc

Metal: Zinc

Metal Bowl Liquid Level

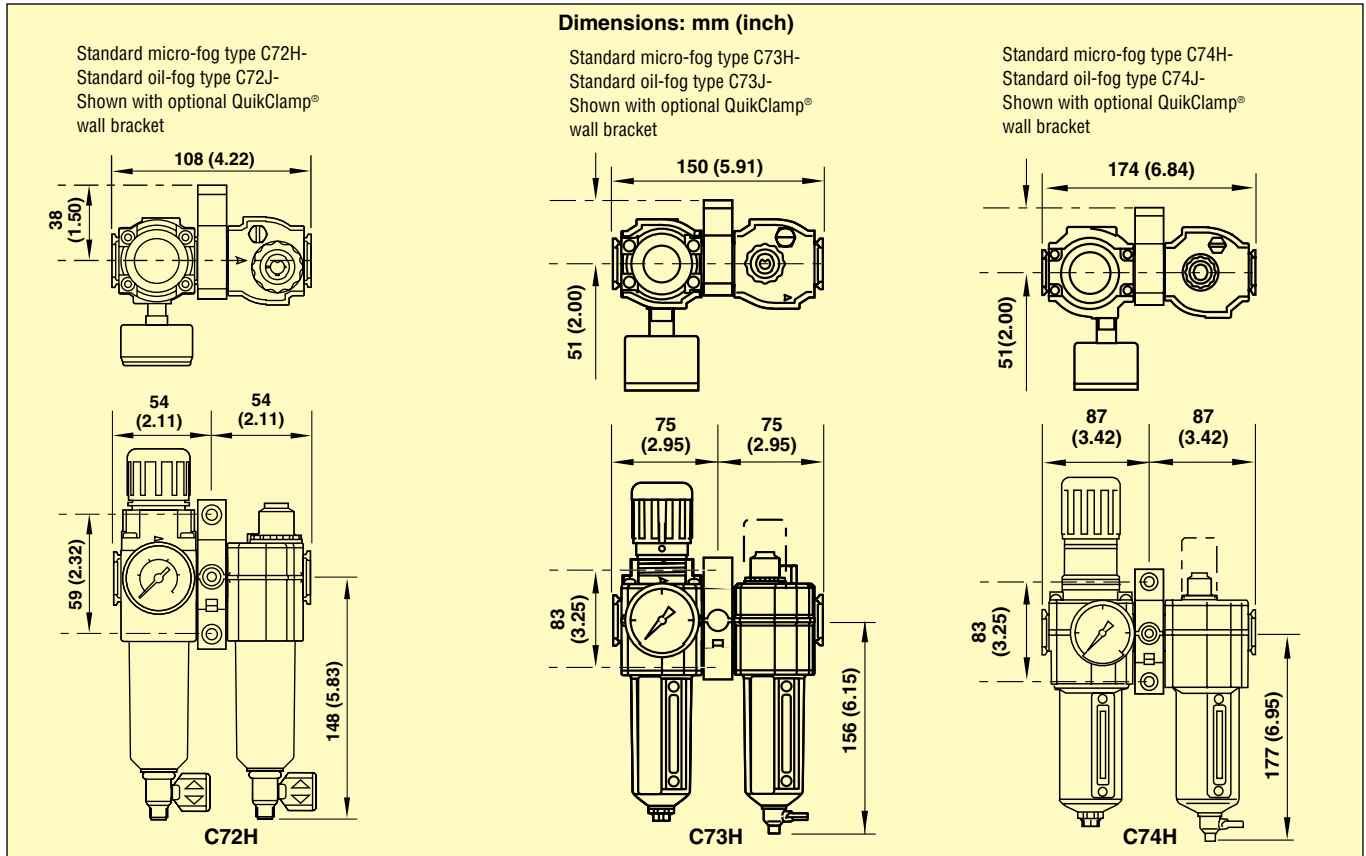
Indicator Lens: Transparent nylon

Sight Feed Dome: Transparent nylon

Element: Sintered polypropylene

Elastomers: Neoprene® and nitrile

* Air supply must be dry enough to avoid ice formation at temperatures below 2°C (35°F).



To Order

MODEL NO.	PORT SIZE (in)	COMBINATION TYPE	WEIGHT kg (lb)
C72H-2AK-AW3-RMG-QWN	¼	Standard micro-fog filter/regulator with lubricator	1.08 (2.37)
C72H-3AK-AW3-RMG-QWN	⅜	Standard micro-fog filter/regulator with lubricator	1.08 (2.37)
C73H-2AK-AD3-RMG-QDN	⅜	Standard micro-fog filter/regulator with lubricator	1.36 (3.0)
C73H-3AK-AD3-RMG-QDN	⅜	Standard micro-fog filter/regulator with lubricator	1.36 (3.0)
C73H-4AK-AD3-RMG-QDN	½	Standard micro-fog filter/regulator with lubricator	1.36 (3.0)
C74H-3AK-AD3-RMG-QDN	⅜	Standard micro-fog filter/regulator with lubricator	2.36 (5.20)
C74H-4AK-AD3-RMG-QDN	½	Standard micro-fog filter/regulator with lubricator	2.30 (5.07)

Notes: Models include PTF threads. Filter/regulator has a knob adjustment, automatic drain, transparent bowl with guard, 40 µm element, relieving diaphragm and 10 bar (150 psig) regulating spring and gage. Lubricator is a micro-fog model with ¼ turn manual drain and transparent bowl with guard.

Ordering Examples: C72H-2AK-AW3-RMG-QWN, combination filter-regulator and lubricator, includes a standard micro-fog filter/regulator with a ¼" PTF port, knob pressure adjustment, automatic filter drain, 40 µm filter, relieving diaphragm, 5 to 150 psig regulating spring, manual ¼ turn drain and transparent lubricator bowl with guard. C72H-3AK-AW3-RMG-QWN, combination filter-regulator and lubricator, includes a standard micro-fog filter/regulator with a ⅜" PTF port, knob pressure adjustment, automatic filter drain, metal filter bowl with liquid level indicator and 40 µm filter, relieving diaphragm, 5 to 150 psig regulating spring, manual ¼ turn drain and metal lubricator bowl with liquid level indicator.