

DISCONTINUED



Robohand inc.
A DEXTER COMPANY

MODULAR MOUNTING STANCHIONS

DIRECTCONNECT™ SERIES

SIMPLE AND STURDY BEAM CONSTRUCTION

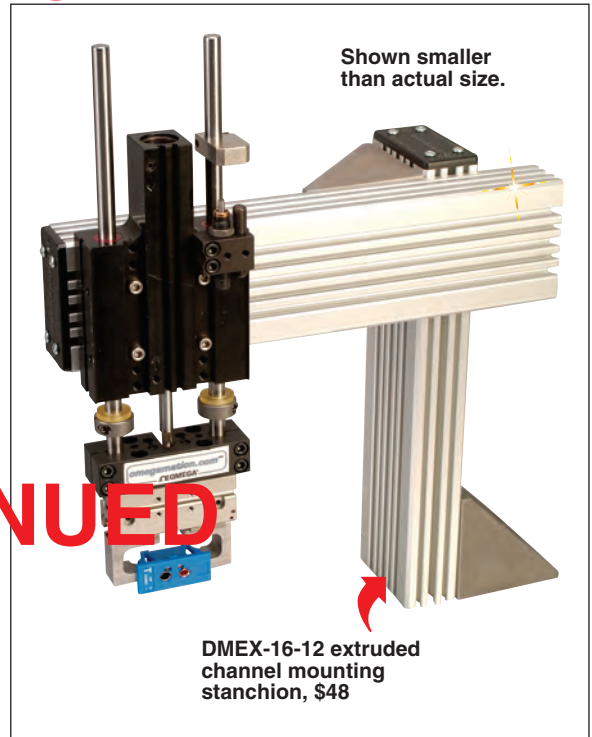
DISCONTINUED

*DMEX Series
Stock Lengths
Start at
\$18*

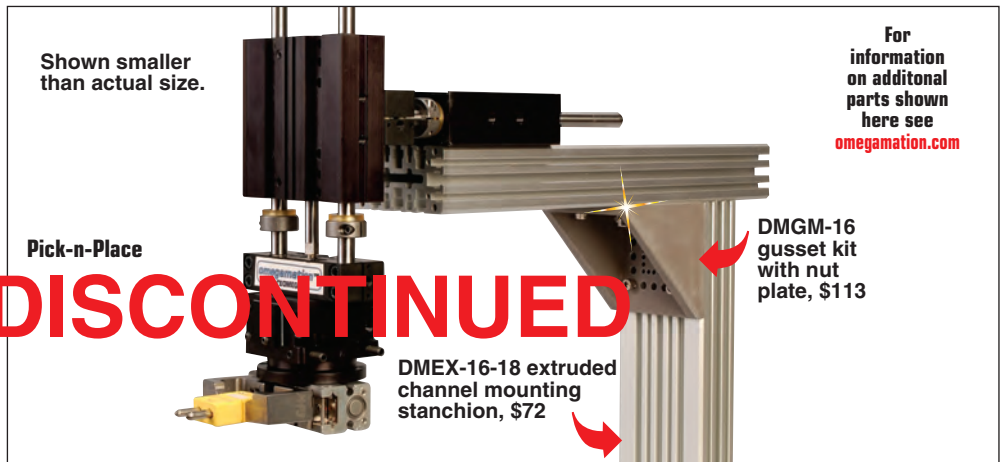


- Extruded Aluminum Beams with T-Slot Design for Quick Assembly
- Three Sizes for Use with DIRECTCONNECT™ Base Slides and Thrusters
- Pre-Assembled Gusset Kits Available to Quickly Connect Three Sizes of Mounting Stanchions
- Nut Plate and Screw Kits for Mounting Slides and Thrusters
- Straightness of 0.33 mm (0.013") per Foot and Flatness of 0.10 mm (0.004") per Inch of Width
- Maximum Twist of 6.4 mm (0.25") per Foot
- Stock Sizes for Immediately Delivery or Custom Lengths Available
- Quickly Assembly to Lower Cost
- Wire/Tube Clamps and Slot Covers for Neat and Clean Machine Design
- Cross Section Width 38.1 to 152.4 mm (1.50 to 6.0") and Depth 19.1 to 76.2 mm (0.75 to 3.0")

DMEX mounting modules are easily connected at right angles using the Gusset Kits, mount a DMEX-08 or a DMEX-16 to a DMEX-25. Any smaller unit can be assembled to a larger or equal size extrusion due to the multiple T-slot design.

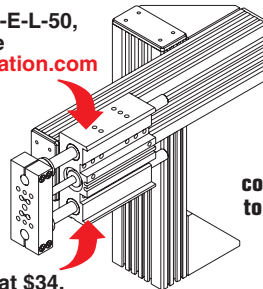


DISCONTINUED

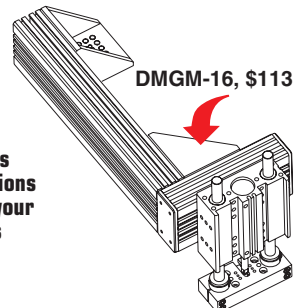


DISCONTINUED

DLT-10M-E-L-50, \$270, see omegamation.com



Thruster mounting kit starts at \$34, see chart on page 66.



DMGM-16, \$113

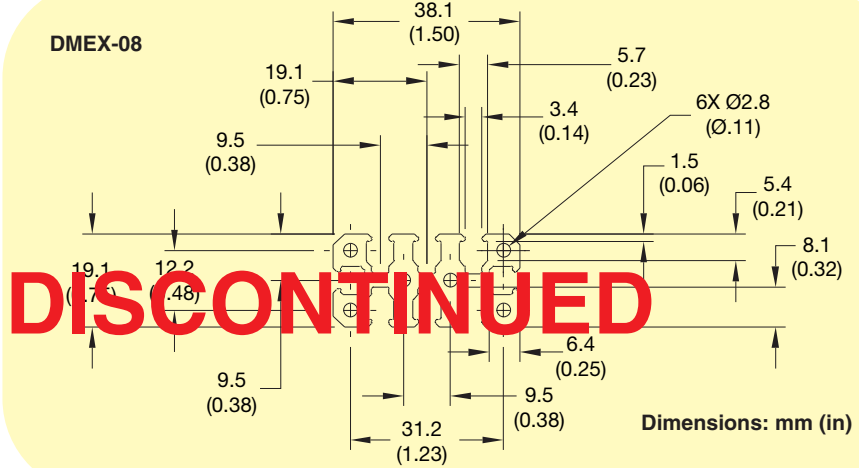
Endless combinations to meet your needs

DISCONTINUED



Custom Lengths Available, up to 90", Consult Sales for Your Special Needs.

DISCONTINUED



SPECIFICATIONS

DMEX-08

Material: 6063-T6 aluminum

Finish: Clear anodize

Weight per/ft: 0.67 lb

Bar Length: 90" ±0.12"

Section Area: 0.60 sq in

Max Twist: 6.4 mm (0.25") per foot

Flatness:

0.10 mm (0.004") per inch of width

Straightness:

0.33 mm (0.013") per foot

Moment of Inertia X:

1.3 mm⁴ (0.0519ⁱⁿ⁴)

Moment of Inertia Y:

5.32 mm⁴ (0.2096ⁱⁿ⁴)

DMEX-16

Material: 6063-T6 aluminum

Finish: Clear anodize

Weight per/ft: 2.40 lb

Bar Length: 90" ±0.12"

Section Area: 2.05 sq in

Max Twist: 6.4 mm (0.25") per foot

Flatness:

0.10 mm (0.004") per inch of width

Straightness:

0.33 mm (0.013") per foot

Moment of Inertia X: 21 mm⁴ (0.8313ⁱⁿ⁴)

Moment of Inertia Y: 83 mm⁴ (3.278ⁱⁿ⁴)

DMEX-25

Material: 6063-T6 aluminum

Finish: Clear anodize

Weight per/ft: 7.34 lb

Bar Length: 90" ±0.12"

Section Area: 06.25 sq in

Max Twist: 6.4 mm (0.25") per foot

Flatness:

0.10 mm (0.004") per inch of width

Straightness:

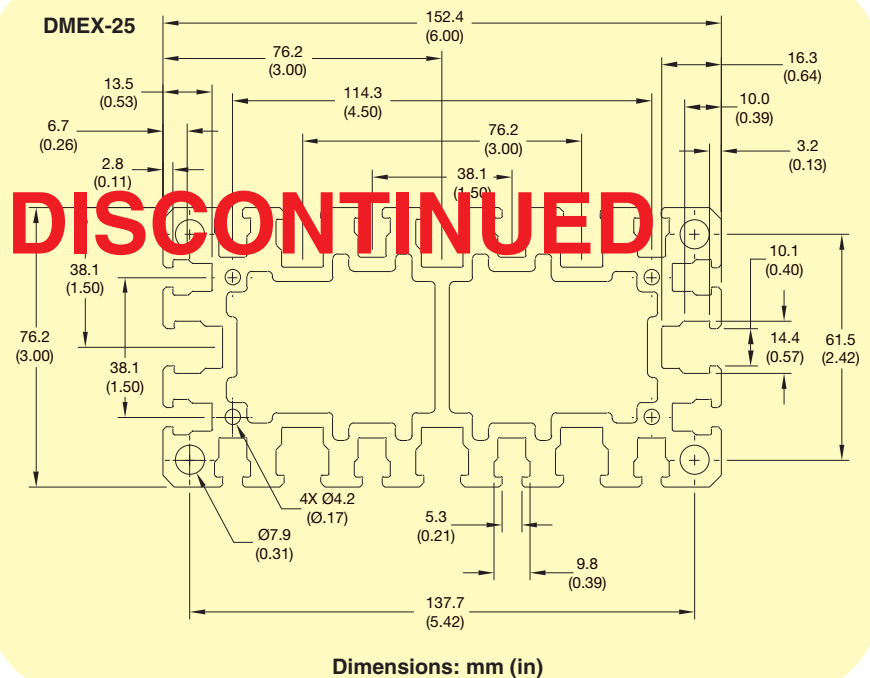
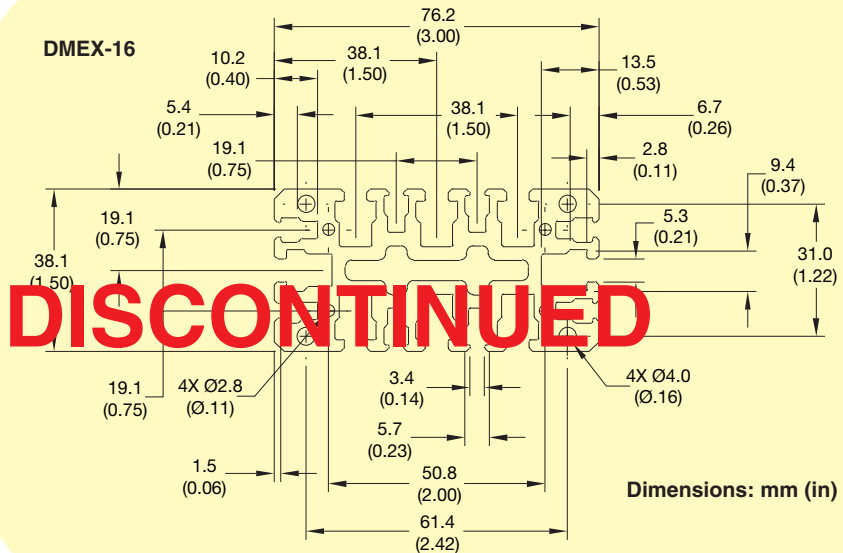
0.33 mm (0.013") per foot

Moment of Inertia X:

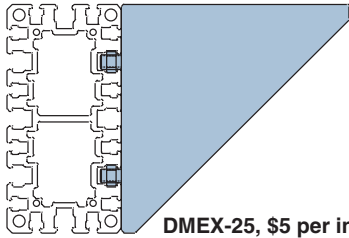
320 mm⁴ (12.608ⁱⁿ⁴)

Moment of Inertia Y:

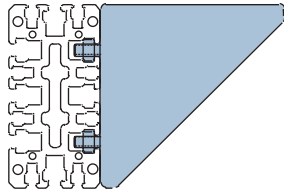
1320 mm⁴ (52.614ⁱⁿ⁴)



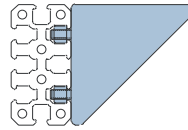
DISCONTINUED



DMEX-25, \$5 per inch



DMEX-16, \$4 per inch



DMEX-06, \$3 per inch

Simply
Slide Gussets
Together and
Tighten Bolts!

DISCONTINUED

GUSSET KITS

DMGM-08

Sized for DMEX-08

Will attach to DMEX-08, DMEX-16

DMGM-16

Sized for DMEX-16

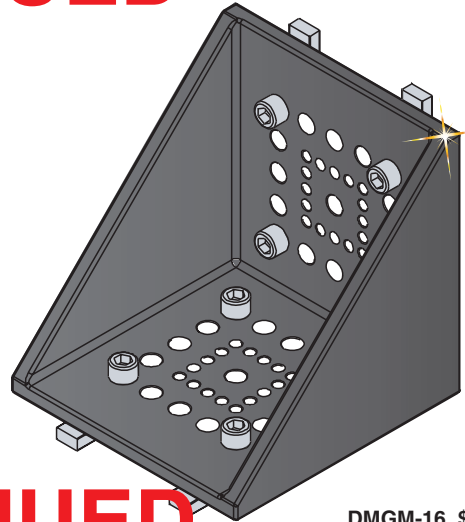
Will attach to DMEX-08, DMEX-25

DMGM-25

Sized for DMEX-25

Will attach to DMEX-16, DMGM-25

- Allen Wrench Included with Each Unit
- All Nut Plates and Hardware Made of Stainless Steel
- Gussets Without Mounting Hardware Available Separately



DMGM-16, \$113

DISCONTINUED

END PLATES

DMEC-08

Sized for DMEX-08 Extrusion

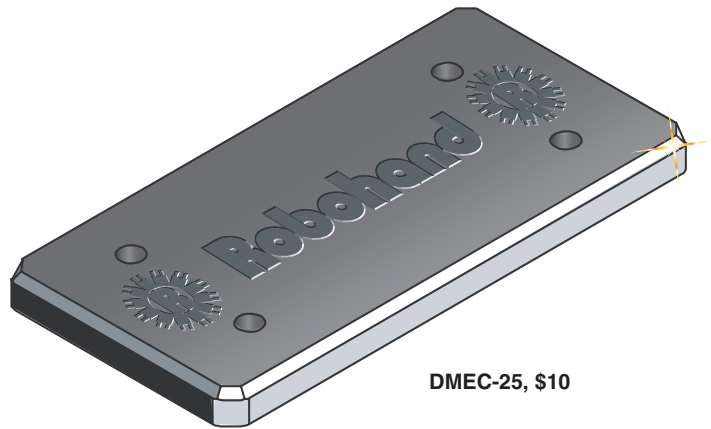
DMEC-16

Sized for DMEX-16 Extrusion

DMEC-25

Sized for DMEX-25 Extrusion

- Gives Your Assembly the Finished Touch
- Easily Attaches to Extrusion, No Tapping Needed
- Self Tapping Fasteners Included
- Made from Black ABS Plastic



DMEC-25, \$10

SLOT COVERS

DISCONTINUED

DMSC-08

1 piece per foot for DMEX-08, DMEX-16

DMSC-16

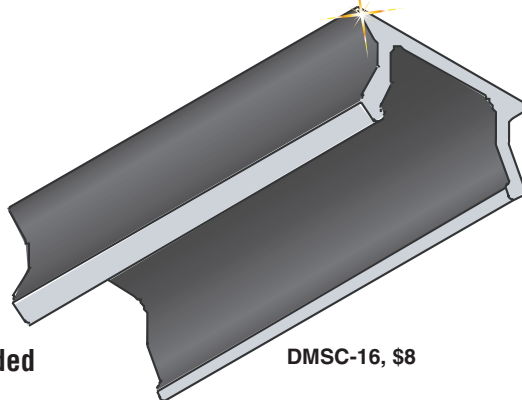
1 piece per foot for DMEX-16

1.5 piece per foot for DMEX-25

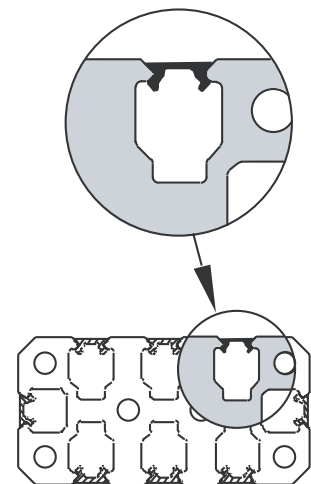
DMSC-25

1 piece per foot for DMEX-25

- Works as a Great Dust Cover
- Covers Wires and Tubes in Slots on Larger Sizes
- Easy to Install, No Hammer Needed
- Cuts Easily with Scissors
- Stock Length = 2.4 m (8')



DMSC-16, \$8



Slot cover installation

DISCONTINUED



DMHC-001

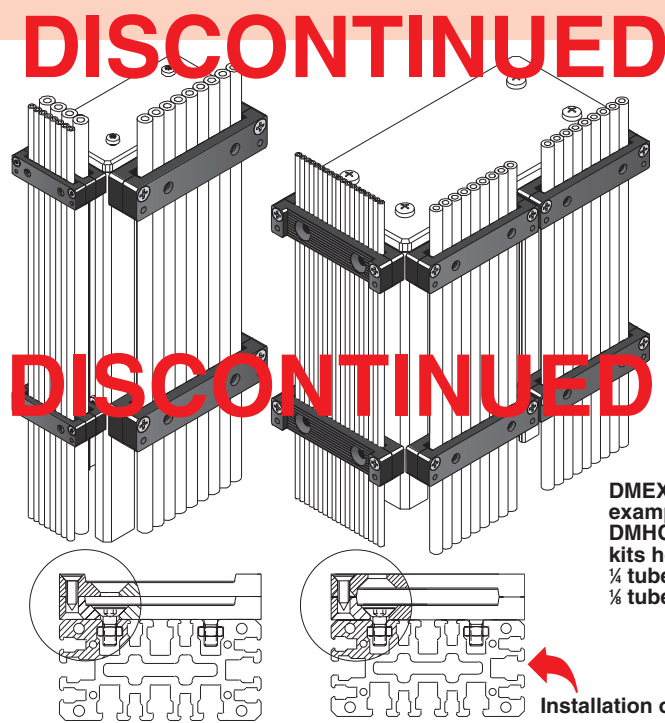
Sized for DMEX-08 and DMEX-16

DMHC-002

Sized for DMEX-16 and DMEX-25

- Kits Contain 2 Clamp Halves, 2 FHSC Screws, 2 Locknuts, and 2 Self-Tapping Screws
- Keeps Tubing/Cable Neat and Tight
- Stackable Design Allows for Multiple Tube/Cable Diameters
- Allen Wrench Included in Each Kit
- Clamp Housing Made of High Strength Glass Filled Polycarbonate
- All Hardware Made of Stainless Steel

DMEX-16 example shows three DMHC-001, \$9 each, and two DMHC-002, \$9 each, kits holding thirteen 1/4 tubes and eight 3/8 tubes



DMEX-25 example shows six DMHC-002, \$9 each, kits holding eighteen 1/4 tubes and nineteen 3/8 tubes

Installation options

To Order (Specify Model Number)

MOST POPULAR MODELS HIGHLIGHTED!

MODEL NO.	PRICE	DESCRIPTION
DMEX-08 SERIES		
DMEX-08-6	\$18	152 mm (6") length of DMEX-08 in stock
DMEX-08-12	36	305 mm (12") length of DMEX-08 in stock
DMEX-08-18	54	457 mm (18") length of DMEX-08 in stock
DMEX-08-(*)	3 per inch	Custom length of DMEX-08, specify length up to 90"
DMGM-08	99	Gusset kit, nut plates and screws included
DMSC-08	6	Slot cover [2.5 m (8') lengths] 1 pcs/ft of DMEX-08 or DMEX-16
DMEC-08	6	End caps with self tapping screws included
DMHC-001	9	Hose clamp kits for tubing/cabling for DMEX-08 or DMEX-16
DMEX-16 SERIES		
DMEX-16-12	48	305 mm (12") length of DMEX-16 in stock
DMEX-16-18	72	457 mm (18") length of DMEX-16 in stock
DMEX-16-24	96	610 mm (24") length of DMEX-16 in stock
DMEX-16-36	144	914 mm (36") length of DMEX-16 in stock
DMEX-16-(*)	4 per inch	Custom length of DMEX-16, specify length up to 90"
DMGM-16	113	Gusset kit, nut plates and screws included
DMSC-16	8	Slot cover [2.5 m (8') lengths] 1 pcs/ft of DMEX-08 or DMEX-16
DMEC-16	8	End caps with self tapping screws included
DMHC-001	9	Hose clamp kits for tubing/cabling for DMEX-08 or DMEX-16
DMHC-002	9	Hose clamp kits for tubing/cabling for DMEX-16 or DMEX-25
DMEX-25 SERIES		
DMEX-25-18	90	457 mm (18") length of DMEX-25 in stock
DMEX-25-24	120	610 mm (24") length of DMEX-25 in stock
DMEX-25-36	180	914 mm (36") length of DMEX-25 in stock
DMEX-25-48	240	1219 mm (48") length of DMEX-25 in stock
DMEX-25-(*)	5 per inch	Custom length of DMEX-25, specify length up to 90"
DMGM-25	164	Gusset kit, nut plates and screws included
DMSC-25	10	Slot cover [2.5 m (8') lengths] 1 pcs/ft of DMEX-08 or DMEX-16
DMEC-25	10	End caps with self tapping screws included
DMHC-002	9	Hose clamp kits for tubing/cabling for DMEX-25

Ordering Example: DMEX-08-12, two 305 mm (12") pieces of 16 size extrusion, \$36 each, with two DMGM-08 gussets, \$99 each, three DMEC-08 end caps \$6 each. Recommend two hose clamp kits for horizontal beam DMHC-001, \$9 each. DMEX-16-18, two 457 mm (18") pieces of 16 size extrusion, \$72 each, and DMEX-16-12, one piece 16 size extrusion \$48, with three DMGM-16 gussets, \$113 each, three DMEC-16 end caps, \$8 each. Recommend two hose clamp kits DMHC-002 for horizontal beam, \$9 each.

DISCONTINUED

DISCONTINUED



ADDITIONAL MOUNTING COMPONENTS

DLT THRUSTER SLIDE MOUNTING KITS

DMTM-06
Sized for DLT-06

DMTM-12
Sized for DLT-12

DMTM-08
Sized for DLT-08

DMTM-16
Sized for DLT-16

DMTM-10
Sized for DLT-10

- Comes Pre-Assembled Ready for Installation
- DLT Kits Include 2 Nut Plates, 4 Screws (Specific to the Size Unit You Are Mounting), and 2 Set Screws
- Allen Wrench Included in Each Kit
- Locking Feature Incorporated into Nut Plate
- All Nut Plates and Hardware Made of Stainless Steel



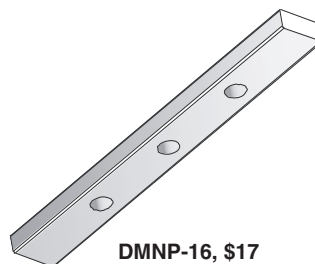
NUT PLATES

DMNP-08
Sized for DMEX-08
Will attach to DMEX-16

DMNP-25
Sized for DMEX-25
Will attach to DMEX-16

DMNP-16
Sized for DMEX-16
Will attach to DMEX-08, DMEX-25

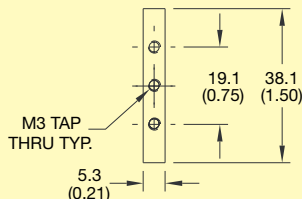
- Use as Extra Support for Gussets
- Nut Plate has Standard DIRECTCONNECT Mount Spacing
- Stainless Steel with Locking Feature



DMNP-16, \$17

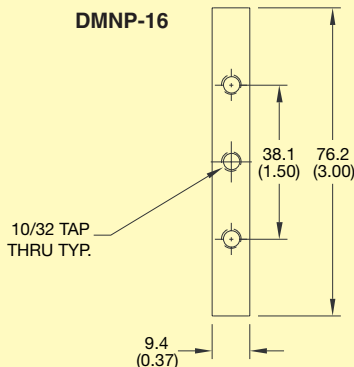
DISCONTINUED

DMNP-08

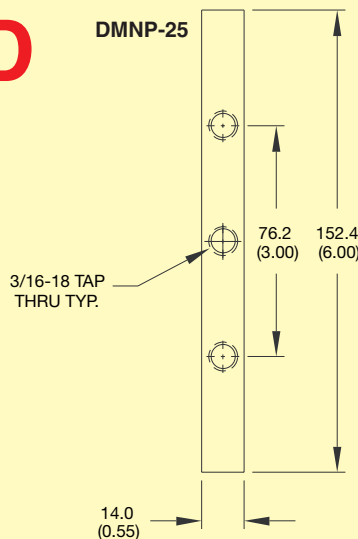


Dimensions: mm (in)

DMNP-16



DMNP-25



To Order (Specify Model Number)

DISCONTINUED

AVAILABLE FOR FAST DELIVERY!

MODEL NO.	PRICE	DESCRIPTION
DMEG-08	\$31	Base gusset for DMEX-08, no hardware included
DMEG-16	42	Base gusset for DMEX-16, no hardware included
DMEG-25	74	Base gusset for DMEX-25, no hardware included
DMNP-08	12	Nut plate for DMEX-08 or DMEX-16, screws not included
DMNP-16	17	Nut plate for DMEX-08, DMEX-16 or DMEX-25, screws not included
DMNP-25	23	Nut plate for DMEX-16 or DMEX-25, screws not included
DMTM-06	34	Thruster mounting kit for DLT-06M, nut plates and screws included
DMTM-08	34	Thruster mounting kit for DLT-08M, nut plates and screws included
DMTM-10	37	Thruster mounting kit for DLT-10M, nut plates and screws included
DMTM-12	37	Thruster mounting kit for DLT-12M, nut plates and screws included
DMTM-16	37	Thruster mounting kit for DLT-16M, nut plates and screws included

Ordering Example: DMTM-08, mounting kit for DLT-08M thruster, \$34, DMEX-16, additional base gusset, \$42, and DMNP-16, 2 nut plates, \$17 each, \$34 + 42 + 17 + 17 = \$110.

DISCONTINUED



UNITED STATES

www.omega.com
1-800-TC-OMEGA
Stamford, CT.

CANADA

www.omega.ca
Laval(Quebec)
1-800-TC-OMEGA

GERMANY

www.omega.de
Deckenpfronn, Germany
0800-8266342

UNITED KINGDOM

www.omega.co.uk
Manchester, England
0800-488-488

FRANCE

www.omega.fr
Guyancourt, France
088-466-342

CZECH REPUBLIC

www.omegaeng.cz
Karviná, Czech Republic
596-311-899

BENELUX

www.omega.nl
Amstelveen, NL
0800-099-33-44



More than 100,000 Products Available!

• Temperature

Calibrators, Connectors, General Test and Measurement Instruments, Glass Bulb Thermometers, Handheld Instruments for Temperature Measurement, Ice Point References, Indicating Labels, Crayons, Cements and Lacquers, Infrared Temperature Measurement Instruments, Recorders Relative Humidity Measurement Instruments, RTD Probes, Elements and Assemblies, Temperature & Process Meters, Timers and Counters, Temperature and Process Controllers and Power Switching Devices, Thermistor Elements, Probes and Assemblies, Thermocouples Thermowells and Head and Well Assemblies, Transmitters, Wire

• Flow and Level

Air Velocity Indicators, Doppler Flowmeters, Level Measurement, Magnetic Flowmeters, Mass Flowmeters, Pitot Tubes, Pumps, Rotameters, Turbine and Paddle Wheel Flowmeters, Ultrasonic Flowmeters, Valves, Variable Area Flowmeters, Vortex Shedding Flowmeters

• pH and Conductivity

Conductivity Instrumentation, Dissolved Oxygen Instrumentation, Environmental Instrumentation, pH Electrodes and Instruments, Water and Soil Analysis Instrumentation

• Data Acquisition

Auto-Dialers and Alarm Monitoring Systems, Communication Products and Converters, Data Acquisition and Analysis Software, Data Loggers Plug-in Cards, Signal Conditioners, USB, RS232, RS485 and Parallel Port Data Acquisition Systems, Wireless Transmitters and Receivers

• Pressure, Strain and Force

Displacement Transducers, Dynamic Measurement Force Sensors, Instrumentation for Pressure and Strain Measurements, Load Cells, Pressure Gauges, Pressure Reference Section, Pressure Switches, Pressure Transducers, Proximity Transducers, Regulators, Strain Gages, Torque Transducers, Valves

• Heaters

Band Heaters, Cartridge Heaters, Circulation Heaters, Comfort Heaters, Controllers, Meters and Switching Devices, Flexible Heaters, General Test and Measurement Instruments, Heater Hook-up Wire, Heating Cable Systems, Immersion Heaters, Process Air and Duct, Heaters, Radiant Heaters, Strip Heaters, Tubular Heaters