

THERMOCOUPLE TERMINAL BLOCKS DIN RAIL MOUNTING AND AUDIT CAPABLE

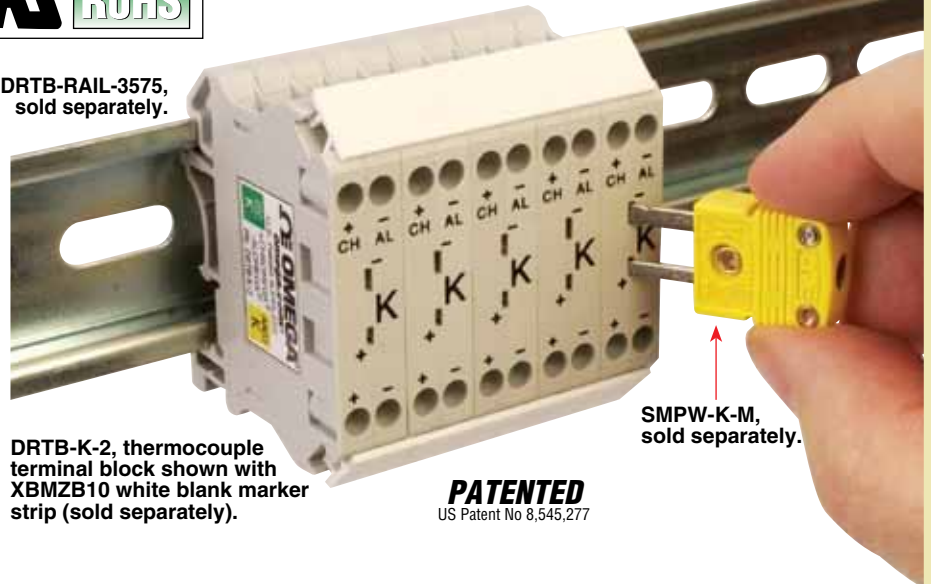
*Tap Into
Advanced
Connectivity!*

DRTB-2 Series



- UL Component Recognized
- Type K, J, T, E, N, R/S and U Calibrations
- Screw Type Terminal for Secure and Maintenance Free Connections
- Built-In Miniature Female Thermocouple Connector for Auditing and Troubleshooting
- Uses Industry Standard Marker Strips for Labeling
- Fully Enclosed—No End Plates Required
- DIN Rail Mountable—Narrow 10.7 mm Width
- Identified with Calibration and “+,-” Connections

DRTB-RAIL-3575, sold separately.



SMPW-K-M, sold separately.

DRTB-K-2, thermocouple terminal block shown with XBMZB10 white blank marker strip (sold separately).

PATENTED
US Patent No 8,545,277



Shown with RECK1-10 cable, HH806AU data logger/thermometer, with USB interface, and DP41 panel meter (inset), sold separately.

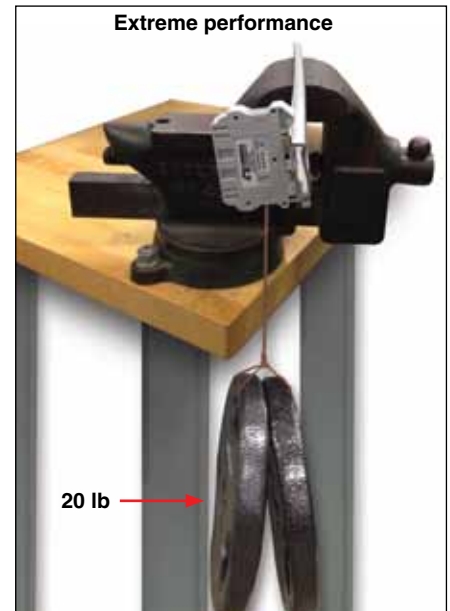
The patented DRTB-2 Series thermocouple terminal blocks are manufactured with thermocouple-grade alloys to guarantee accurate readings. A built-in SMP-compatible female receptacle accepts a miniature thermocouple connector. The female connector allows the user to connect to a handheld meter for applications such as data collection, quality assurance compliance, capability studies and trouble shooting installation or repairs.

The plastic housing is made from gray polyamide 6.6 thermoplastic resin with a

UL 94 V0 rating for 85°C. These thermocouple terminal blocks are fully enclosed and require no end plates. The screws are stainless steel and captive and the wire clamps are made of tin plated brass. Together they provide an excellent vibration, maintenance free and corrosion resistant connection.

DRTB-2 terminal blocks mount on standard 35 mm DIN rails or 32 mm G-type rails, and are identified with calibration type and positive (+) and negative (-) connections. Wire entry is funneled to allow quick wire insertion even with stranded wire.

L-1



20 lb

SPECIFICATIONS

Width: 10.7 mm (0.422")

Length/Height: 52.8 mm (2.08")/42.3 mm (1.666")

Installed Height to 35 x 7.5 mm/ 35 x 15 mm DIN Rail: 43.5 mm (1.713")/52.8 mm (2.08")

Wire Gauge Ranges: 14-24 solid wire; 16-24 stranded wire

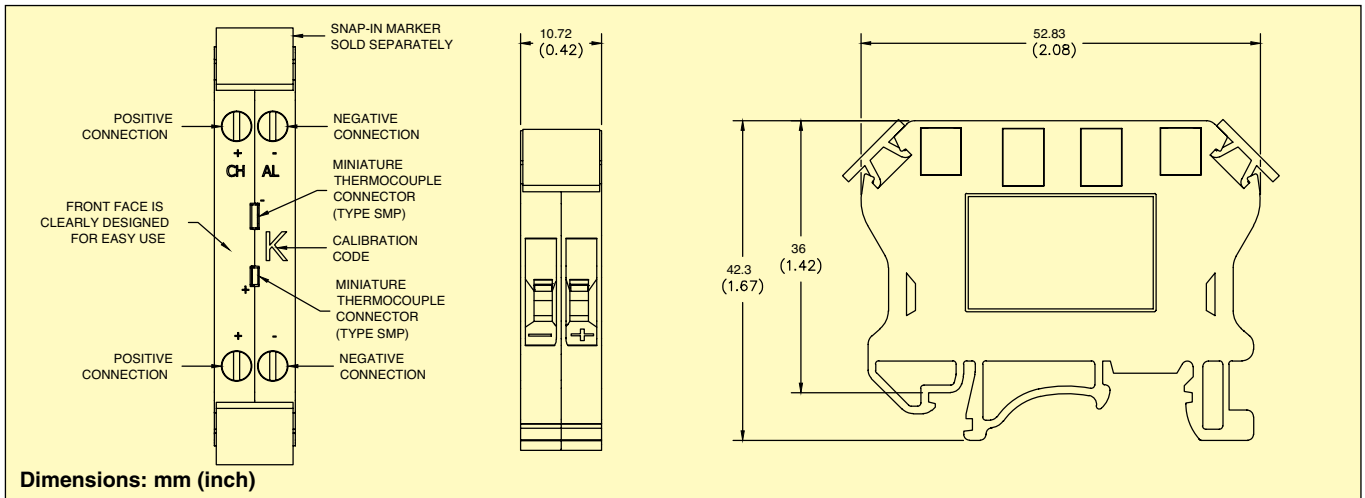
Wire Strip Length: 8 mm (0.31")

Torque in Nm (in-lb): 0.4 (3.54) ±10%

Temperature Rating: -40 to 85°C (-40 to 185°F)



DRTB-K-2 shown with RECK1-10, retractable extension cable, 0.3 m (1').



To Order			
MODEL NO.	CALIBRATION ALLOY CODE	COMPENSATING ALLOYS	
		+	-
DRTB-K-2	K	CHROMEGA®	ALOMEGA®
DRTB-T-2	T	Copper	Constantan
DRTB-J-2	J	Iron	Constantan
DRTB-E-2	E	CHROMEGA®	Constantan
DRTB-N-2	N	OMEGA-P®	OMEGA-N®
DRTB-U-2	U	Copper	Copper
DRTB-R/S-2	R/S	Copper	RNX/SNX

Note: This item is available in single unit and multipack configurations.

Ordering Example: DRTB-K-2 (single); DRTB-K-2 (10 pack); DRTB-K-2-50PK (50 pack).

ACCESSORIES

MODEL NO.	DESCRIPTION
DRTB-RAIL-3575	DIN rail, 35 x 7.5 mm x 2 m (1.4 x 0.30" x 6.6'), slotted
DRTB-RAIL-3575-1	DIN rail, 35 x 7.5 mm x 1 m (1.4 x 0.30" x 3.3'), slotted
DRTB-RAIL-3515	DIN rail, 35 x 15 mm x 2 m (1.4 x 0.60" x 6.6'), slotted
DRTB-RAIL-3515-1	DIN rail, 35 x 15 mm x 1 m (1.4 x 0.60" x 3.3'), slotted
XBMZB10	White blank marker strip, (10 markers)
HH806AU	Thermocouple dual input meter with USB and DC power jack
REC(*)1-10	Retractable extension cable with 2 SMP miniature male connectors, 0.3 m (1') (expands to 1.5 m (5'))
REC(*)4-10	Retractable extension cable with 2 SMP miniature male connectors, 1.2 m (4') (expands to 6.1 m (20'))

(*) Specify thermocouple calibration: J, K, T or E

Ordering Example: DRTB-K-2, Type K thermocouple terminal block for DIN rail mounting with RECK1-10, Type K, 0.3 m (1') retractable extension cable.