

MODULAR STACKLIGHTS

E26 Series



- **Modular Construction**
- **Six Lens Colors**
- **Variety of Lamp Types and Voltages**
- **Mono-Tonal, Bi-Tonal and Intermittent Audible Alarms**
- **Combination of Visible and Audible Alarms**
- **Modular Components Reduce Inventory Requirements, Increase Flexibility**
- **Steady and Flashing Modes Allow One Light to Signal Multiple Conditions**
- **No-Tools Assembly Permits Easy Lamp Replacement**

The E26 stacklight unit is a modular system that provides illuminated and audible status indication in all directions. Easily assembled plug-in modular units include constant, flashing and strobe light units, as well as bi-tonal alarm systems. Stacklights may be assembled in a variety of configurations. Numerous lamp, color and mounting options further enhance the stacklight's versatility.

ASSEMBLING A STACKLIGHT SYSTEM

1) Select a Base Unit

Two base units are available, the standard base unit or a flashing base.

2) Select an Extension Tube

Models are available in lengths from 1 inch to 14 inches as well as with right angle design.

3) Select an Optional Mounting Plate

The standard 4 hole mounting plate attaches to the bottom of the bottom of the extension tube to provide an easy and secure means of mounting the stack light.

4) Select up to Six Light Modules

Light modules are available in a variety of colors with either incandescent or LED light sources. The incandescent lights are lower cost and brighter than the LEDs, however, the LEDs have a greater bulb life.

5) Optional Alarm Module

The bi-tonal alarm module mounts on the top of the stack. When used only 5 light modules may be used.

BASE UNITS

STANDARD STACKLIGHT BASE

For use with incandescent or standard LED for steady, non-flashing illumination or with flashing LEDs for flashing illumination. Bases include terminal block for wiring, stacklight cover and gasket.

FLASHING STACKLIGHT BASE

Allows configuration of each light in the stack for either steady or 60 times per minute flashing illumination. Flashing circuit for use with incandescent lamps only.



MODEL NUMBER	DESCRIPTION
BASES	
E26BL	Standard base 12 Vac/dc to 240 Vac/dc
E26BFV4	Flashing base 120 Vac/dc
EXTENSION TUBES	
E26BHU	Black extension tube 1"
E26BJU	Black extension tube 6"
E26BKU	Black extension tube 14"
E26BRU	lack right angle extension tube
MOUNTING PLATE	
E26S109	Standard 4-hole mounting base

SPECIFICATIONS

Standards and Certifications:

CE 60947-5-1
 UL 508—File #E131568
 cUL C22.2 No. 14—File #E131568

Ingress Protection:

Stacklight Base and Light Units:
 NEMA 4 (IP65), 4X and 13
Alarm Units: NEMA 1 (IP20)

Electrical Shock Protection:

Stacklight Base and Light Unit: IP2X
Alarm Units: IPOX

Mechanical Ratings:

Shock (IEC 68-2-27): 11 mS, 15 g
Vibration (IEC 68-2-6): 10 sweeps,
 10 to 150 Hz, 2 g
Bump (IEC 68-2-29): 1000 pulses,
 6 mS, 15 g

Climate Conditions:

Operating: Maximum 40°C (104°F)
 at 95% RH, temperature -20 to 60°C
 (-4 to 140°F)

Storage Temperature: -40 to 80°C
 (-40 to 176°F)

Materials:

Cover: Polycarbonate
Lenses: Polycarbonate
Stacklight Base: Nylon
Extension Tubes: Aluminum
Mounting Base: Zinc die cast

Terminals:

Single Conductors: 14 to 30 AWG
 (2.5 to 0.05 mm²)
Two Conductors of the Same Size:
 18 to 26 AWG (0.75 to 0.14 mm²)

Do not mix solid and stranded wire in the same terminal.

Recommended Tightening Torque:
 0.5 to 0.6 Nm (4.4 to 5.3 lb-in)

Electrical Ratings:

Insulation Voltage (Ui): 690V
Operational Voltage (Ue): 250V
Impulse Withstand Voltage (Uimp):
 1.5 kV

BULB SPECIFICATIONS

Incandescent Lamp Type: BA15d
Maximum Lamp Wattage: 6 W
Bulbs—Average Life:

Incandescent: 7000 to 12,000 hrs
 (based on voltage)
LED: 60,000 to 100,000 hrs
 (based on colors)

LED/INCANDESCENT COMPARISON

Incandescent Lamps: Average operating life of 7000 hours; each lamp can be used with any color lens; low cost results in short term savings

LED Lamps: Average operating life of 60,000 to 100,000 hours; low power consumption; extended life results in long-term savings

E26 STACKLIGHT INCANDESCENT APPLICATION DATA

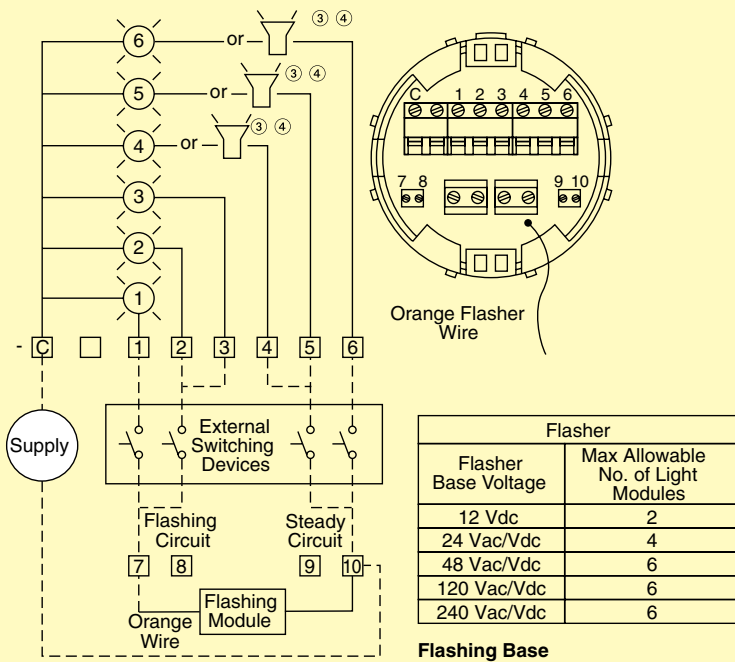
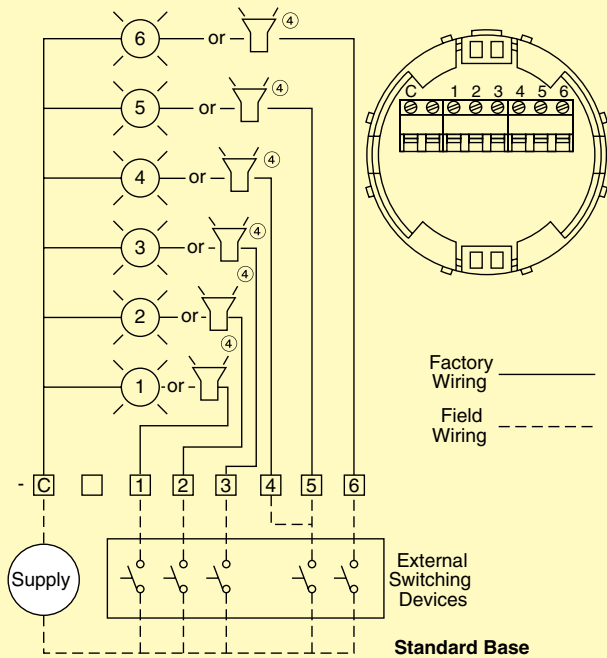
TYPE OF LIGHT	LAMP USED	APPROXIMATE CURRENT, mA PER LIGHT	THEORETICAL LAMP LIFE, HOURS AS APPLIED
12V	BA15d	417	7000
24V	BA15d	208	7000
48V	BA15d	104	7000
110 to 140V	BA15d	36 to 50	7000
220 to 260V	BA15d	23 to 27	12,000

E26 STACKLIGHT LED APPLICATION DATA, CONTINUOUS/FLASHING LED

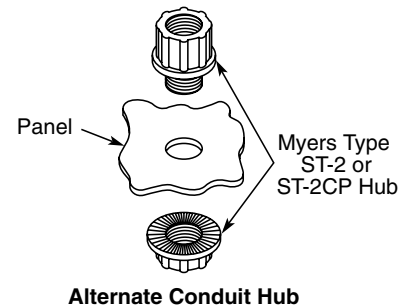
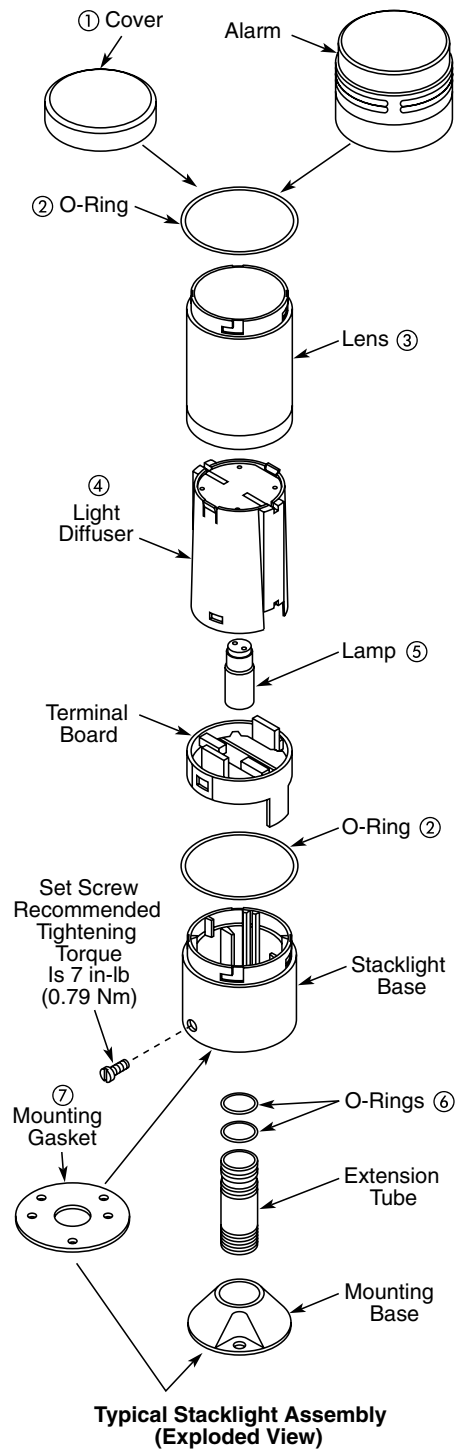
TYPE OF LIGHT	COLOR	APPROXIMATE CURRENT, mA AT RATED VOLTS		THEORETICAL LAMP LIFE, HOURS AS APPLIED
		CLUSTER LED	CYLINDRICAL LED	
12 Vac/Vdc	Red	92	92	100,000
	Amber	92	92	100,000
	Yellow	92	92	100,000
	Green	60	60	80,000
	Blue	60	60	60,000
	White	60	60	60,000
24 Vac/Vdc	Red	47	47	100,000
	Amber	47	47	100,000
	Yellow	47	47	100,000
	Green	59	59	80,000
	Blue	59	59	60,000
	White	59	59	60,000
48 Vac/Vdc	Red	25	25	100,000
	Amber	25	25	100,000
	Yellow	25	25	100,000
	Green	18	18	80,000
	Blue	31	31	60,000
	White	31	31	60,000
60 Vac/Vdc	Red	25	25	100,000
	Amber	25	25	100,000
	Yellow	25	25	100,000
	Green	18	18	80,000
	Blue	17	17	60,000
	White	17	17	60,000
120 Vac/Vdc	Red	24	24	100,000
	Amber	24	24	100,000
	Yellow	24	24	100,000
	Green	17	17	80,000
	Blue	16	16	60,000
	White	16	16	60,000

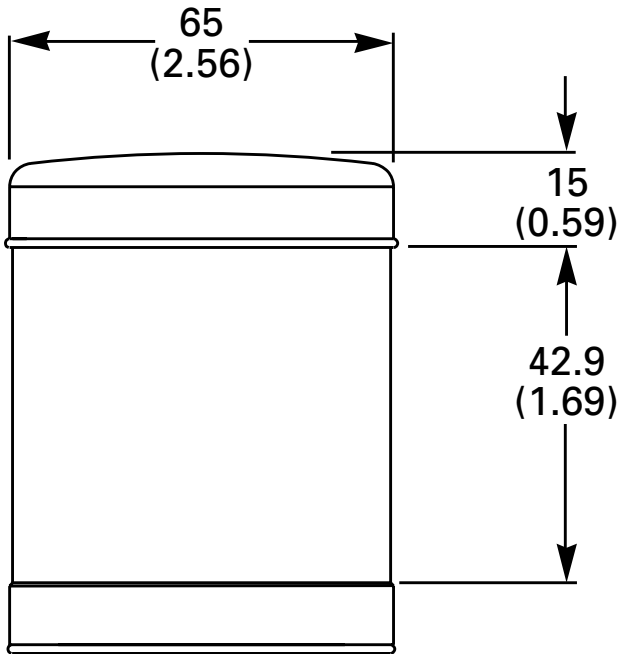
Note: Published theoretical lamp lives are based on ideal laboratory conditions and should be used for comparison only. Actual life may be shorter due to various application conditions.

STANDARD AND FLASHING BASES, MOUNTING

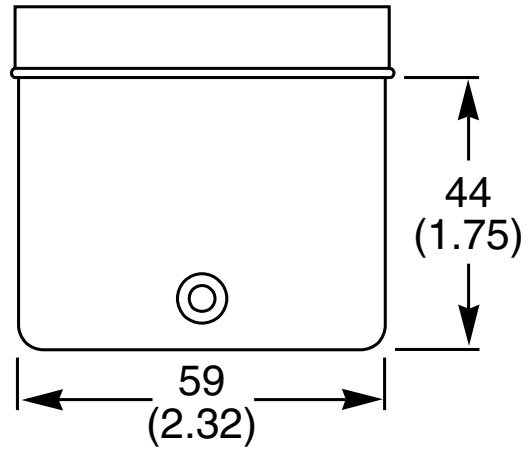


- Note:**
1. Bases also suitable for mounting with extension tubes
 2. Mounting gasket and cover are supplied as standard with stacklight bases
 3. Audible alarm units must be wired via the steady circuit on flashing base units
 4. Audible alarm units can be wired in positions as shown but only one unit is permitted on each stack and unit must occupy the last or top mounting position





Dimensions: mm (in)

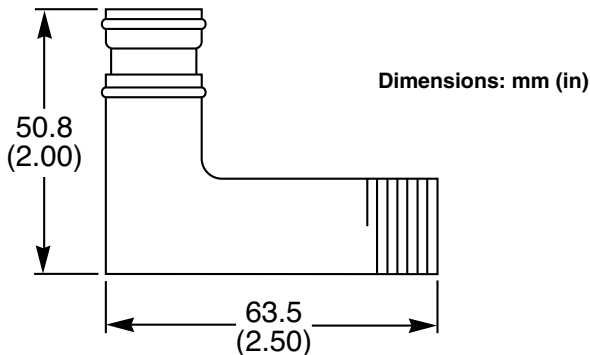


ALARM UNITS

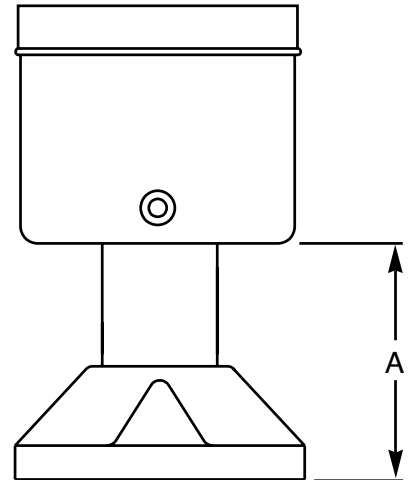
To Order	
MODEL NO.	DESCRIPTION
E26BNV4	NEMA 1 (IP20) bi-tonal audible alarm, volume adjustment range: 64 to 90 dB typical current draw 11.5 mA, 120 Vac/Vdc

STANDARD AND FLASHING BASES, MOUNTING

To Order	
MODEL NO.	DESCRIPTION
E26BL	12 to 240 Vac/Vdc standard base for use with steady incandescent or steady/flashing LED
E26BFV4	120 Vac/Vdc flashing base enables configuration of incandescent light modules for steady or flashing operation



Right Angle Extension Tube



EXTENSION TUBES*

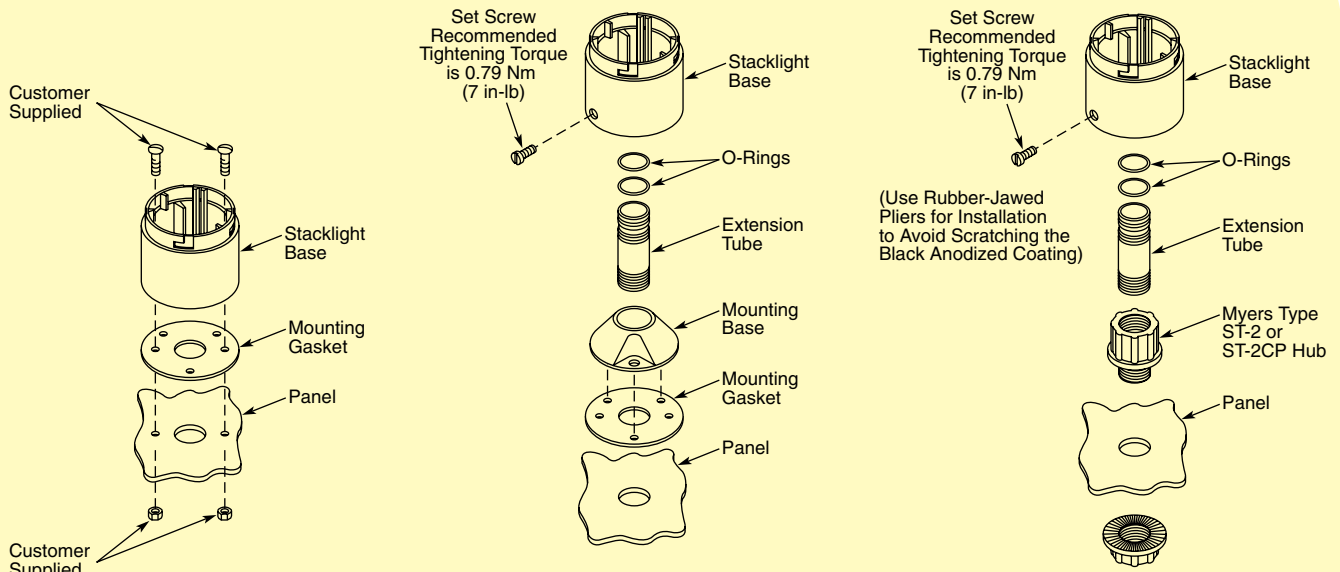
To Order	
MODEL NO.	DESCRIPTION
E26BHU	20 mm (0.79") extension
E26BJU	160 mm (6.30") extension
E26BKU	360 mm (14.17") extension
E26BRU	Right angle extension tube

* For use with standard mounting base or 3/4 NPT threaded hub—black aluminum.

Tube Extension	Height A
20 (0.79)	45 (1.77)
160 (6.30)	185 (7.28)
360 (14.17)	385 (15.16)
760 (29.92)	785 (30.91)

MOUNTING

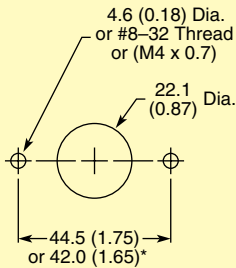
Stacklight bases may be mounted without the use of extension tube or mounting base. If additional height is required, choose 20 to 760 mm (0.8 to 30") extension tubes that fit between the mounting base and stacklight base. The extension tubes are threaded with ¼ NPT threads, allowing for direct connection to conduit fittings or threaded holes without the use of a mounting base.



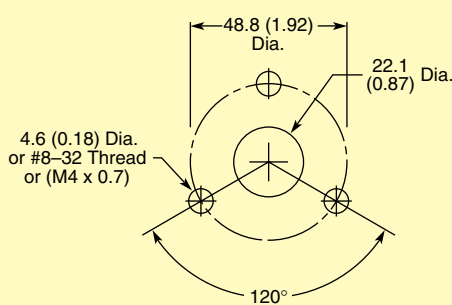
Base Mounting

Utilizing Extension Tube and Mounting Base

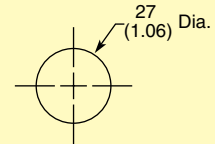
Utilizing Extension Tube and 19.1 (0.75) Conduit Hub



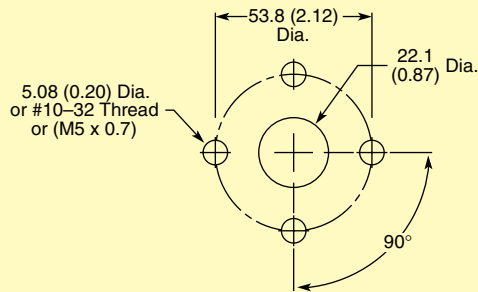
Base Mounting



3-Hole Mounting for E26S108



19.1 (0.75) Conduit Hub for E26S104

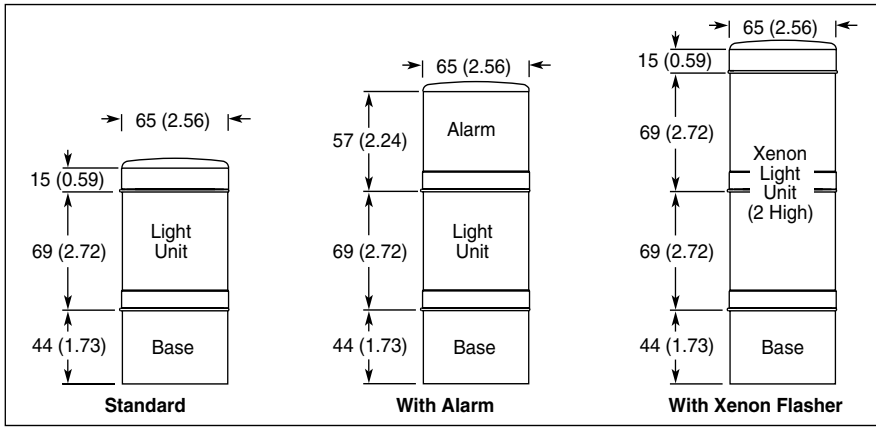


4-Hole Mounting for E26S109

Dimensions: mm (in)

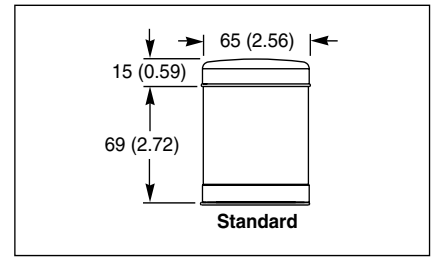
* Stacklight base and gasket are supplied as standard with two sets of base mount holes. One set with center-to-center spacing of 44.5 mm (1.75") and another set with center-to-center spacing of 42 mm (1.65")

DIMENSIONS



One-Light Unit Stacklight

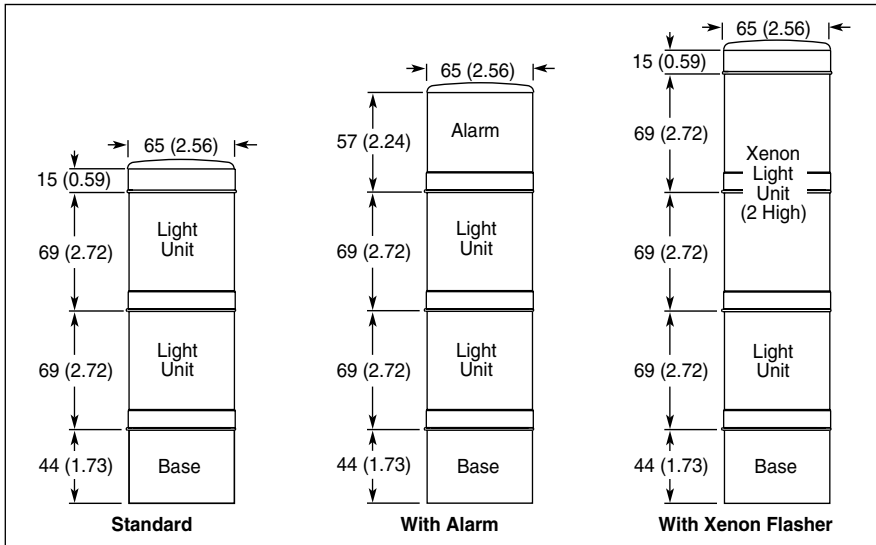
Dimensions: mm (in)



Light Modules

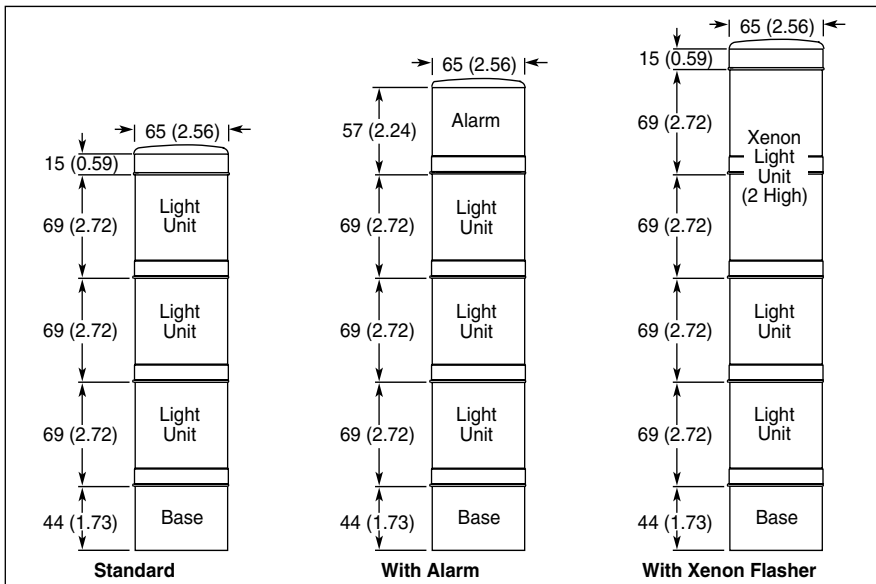
Cover included with stacklight base.

Dimensions: mm (in)



Two-Light Unit Stacklight

Dimensions: mm (in)



Three-Light Unit Stacklight

Dimensions: mm (in)

LIGHT MODULES

Available in a variety of colors for both incandescent lamps and LED lamps. To maximize illumination and light dispersion, incandescent units include an opal white diffuser while LED diffusers are clear.

To Order	
MODEL NO.	DESCRIPTION
E26B0V2	Clear incandescent 24 Vac/dc light module
E26B0V4	Clear incandescent 120 Vac/dc light module
E26B2V2	Red incandescent 24 Vac/dc light module
E26B2V4	Red incandescent 120 Vac/dc light module
E26B3V2	Green incandescent 24 Vac/dc light module
E26B3V4	Green incandescent 120 Vac/dc light module
E26B4V2	Yellow incandescent 24 Vac/dc light module
E26B4V4	Yellow incandescent 120 Vac/dc light module
E26B6V2	Blue incandescent 24 Vac/dc light module
E26B6V4	Blue incandescent 120 Vac/dc light module
E26B9V2	Amber incandescent 24 Vac/dc light module
E26B9V4	Amber incandescent 120 Vac/dc light module
E26BW1V2	White LED 24 Vac/dc light module
E26BY1V2	Yellow LED 24 Vac/dc light module
E26BY1V4	Yellow LED 120 Vac light module
E26BB1V2	Blue LED 24 Vac/dc light module
E26BB1V4	Blue LED 120 Vac light module
E26BA1V2	Amber LED 24 Vac/dc light module
E26BA1V4	Amber LED 120 Vac light module
E26BG1V2	Green LED 24 Vac/dc light module
E26BG1V4	Green LED 120 Vac light module
E26BR1V2	Red LED 24 Vac/dc light module
E26BR1V4	Red LED 120 Vac light module

Ordering Example: (Basic system) **E26BL** base, **E26BHU** extension tube, **E26S109** mounting base, **E26B2V4** light module, and **E26S11** lamp.

REPLACEMENT LEDS AND LAMPS

To Order	
MODEL NO.	DESCRIPTION
E26S123	White 24 Vac replacement LED
E26S119	Yellow 24 Vac replacement LED
E26S140	Yellow 120 Vac replacement LED
E26S122	Blue 24 Vac replacement LED
E26S143	Blue 120 Vac replacement LED
E26S118	Amber 24 Vac replacement LED
E26S139	Amber 120 Vac replacement LED
E26S121	Green 24 Vac replacement LED
E26S142	Green 120 Vac replacement LED
E26S117	Red 24 Vac replacement LED
E26S138	Red 120 Vac replacement LED
E26S11	120 Vac/dc replacement lamp
E26S9	24 Vac/dc replacement lamp

ALARM MODULE

May be fitted to the top of a complete stacklight unit or directly to the stacklight bases, if desired. Also features adjustable sound levels.

To Order	
MODEL NO.	DESCRIPTION
E26BNV4	Bi-tonal alarm module

COMPLETED STACKLIGHT ASSEMBLIES

To Order	
MODEL NO.	DESCRIPTION
E26XWWL392W-V4	3 high assembled 120V green, amber, red, incandescent
E26XWWL392Q-V4	3 high assembled 120V green, amber, red, incandescent with alarm