

SAFETY KEY INTERLOCK SWITCHES

E48 Series



- Critical Stopping Power
- Reduces Risk to Safeguard Workplace
- Tough Plastic Construction

The E48 DIN-Style Safety Key Interlock Limit Switch is designed to be used with movable guards or covers which must be closed for operational safety. The key portion of the switch is affixed to the movable door, cover or other such guard. The switch itself is mounted to a rigid portion of the machine. When the guard is opened, the key is removed from the switch, thereby positively breaking the normally closed contacts. This interrupts the control circuit, stopping machine operation.

SPECIFICATIONS

Ambient Temperature: Operation and Storage: -30 to 70°C (-22 to 158°F) minimum temperature is based upon absence of freezing water or moisture

Enclosure Ratings: NEMA 4, IP65 (indoor only) conforming to IEC 529. Care must be taken that contaminants do not enter the actuating key area as this may prevent the switch from performing to specifications

Ambient Humidity: 95% maximum, non-condensing

Weight: 76 g (0.17 lb)

Housing Material: Synthetic resin

Vibration Resistance: 10 G in both vertical and horizontal axis (from 10 to 500 Hz) conforming to IEC 68-2-27

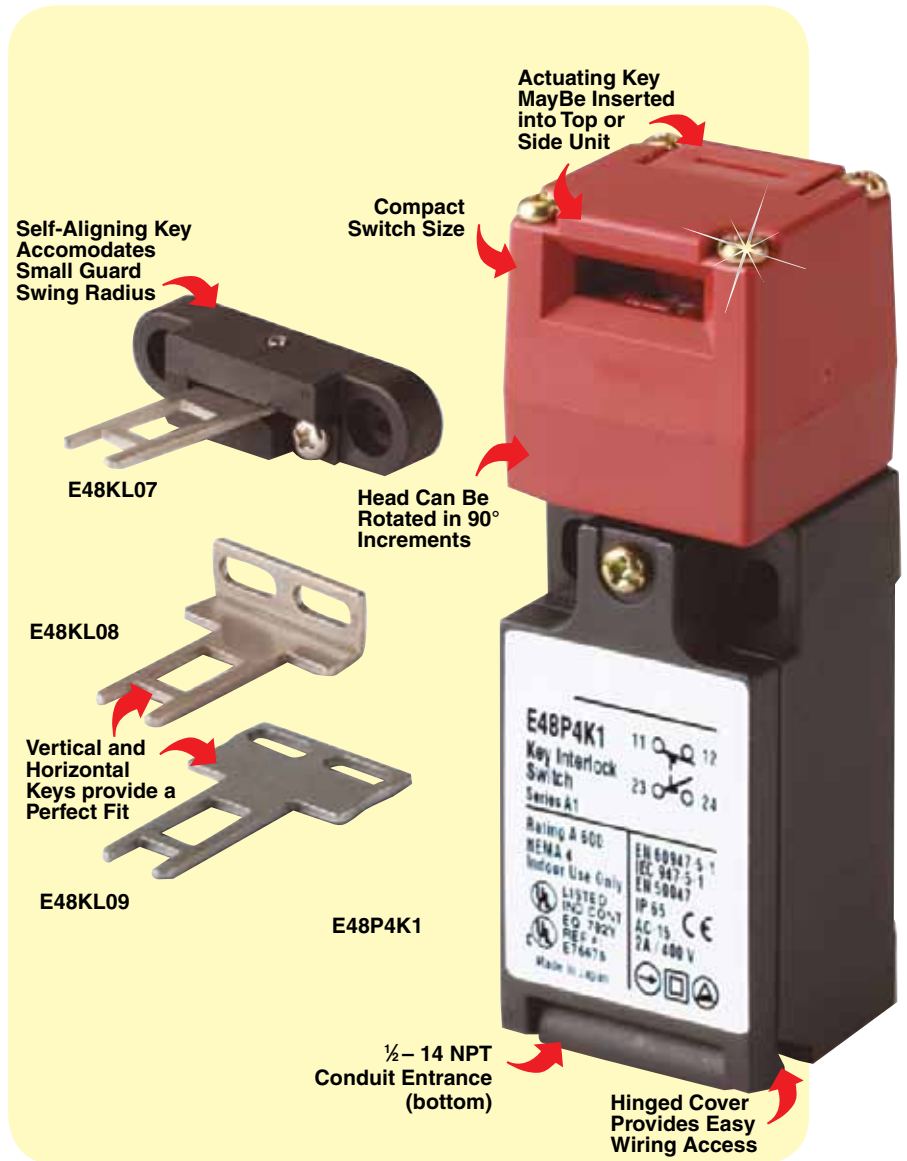
Shock Resistance: 30 G in both vertical and horizontal axis conforming to IEC 68-2-27

Mechanical Life: 1 million operations minimum

Electrical Life: 150,000 operations minimum

Short Circuit Protection

Recommended: 10 A fuse (type gl or gG) (IEC 269)



Rated Insulation Voltage: 400 V (EN 60947-5-1)

Electric Shock Protection: Insulation Class II (IEC 536)

Operating Force (extraction): 14.7 N (3.30 lbf)

Release Force (insertion): 29.4 N (6.60 lbf)

Total Travel: 1.10" minimum (28 mm)

Pretravel: 0.24 ± 0.10" minimum (6 ± 3 mm)

Direct Opening Force: 58.8 N (13.2 lbf) minimum

Operating Speed: 0.04 to 20 inches/second (1 to 500 mm/second)

Operating Frequency: 30 operations/minute maximum

UL Listed: File 76675

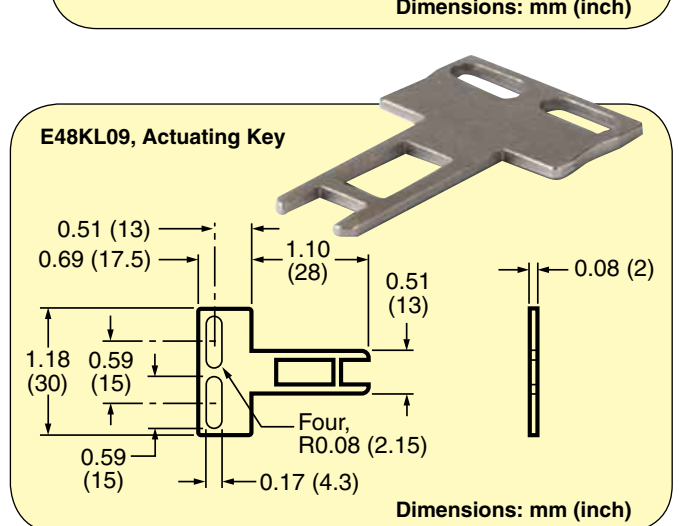
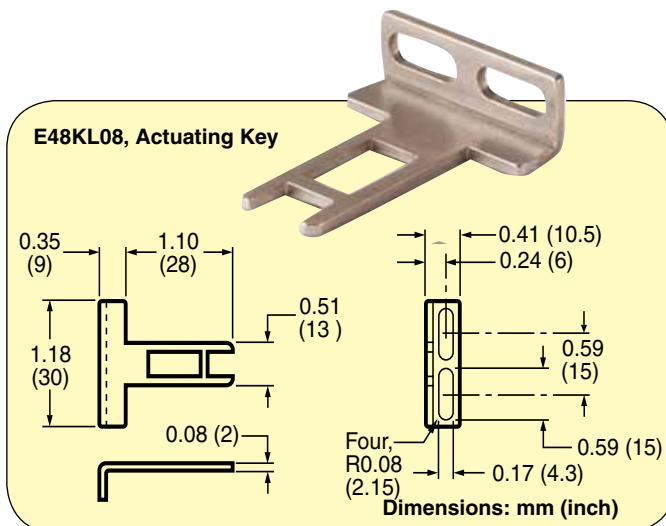
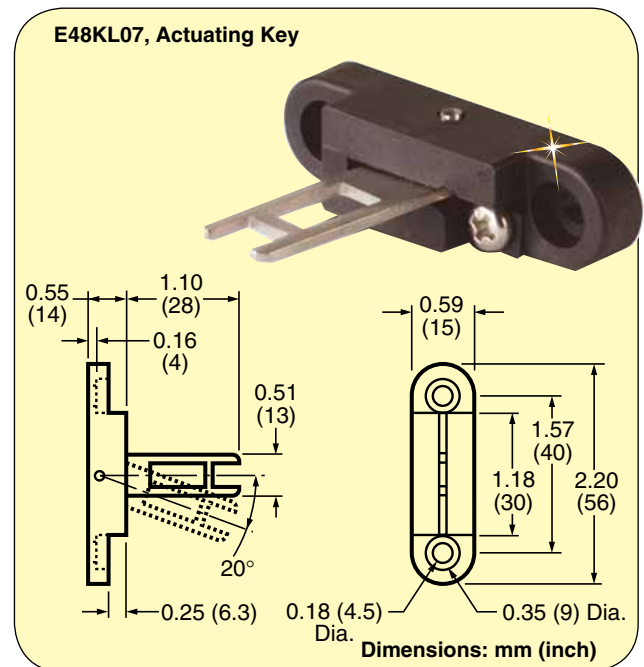
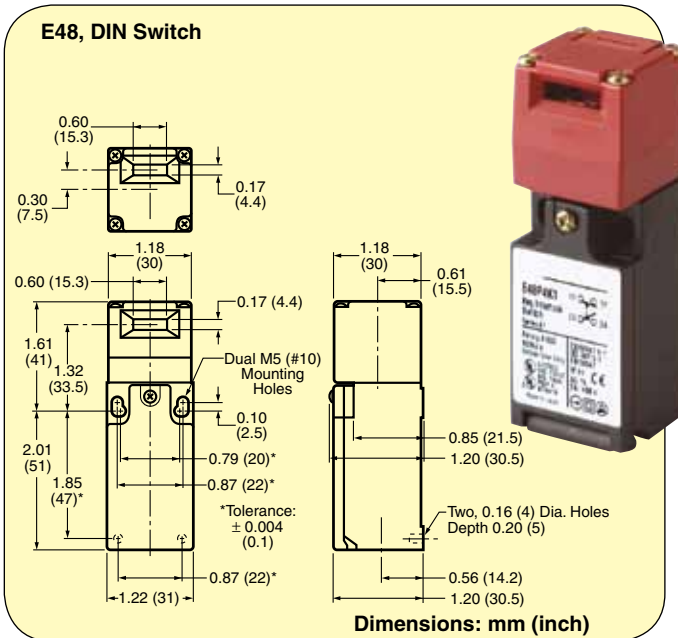
Europe Compliance: EN 60947-5-1 Direct-opening N C contacts per EN 60947-5-1

TUV Rheinland: Approved

Contacts: 1 NO/1 NC DPDB
2 NC DPDB

SPECIFICATIONS

RATED VOLTAGE	CURRENT			MAXIMUM VA	
	THERMAL CONTINUOUS	MAKE	BREAK	MAKE	BREAK
120 Vac	10 A	60 A	6.0 A	7200 VA	720 VA
240 Vac	10 A	30 A	3.0 A	7200 VA	720 VA
480 Vac	10 A	15 A	1.5 A	7200 VA	720 VA



To Order

MODEL NO.	DESCRIPTION
E48P4K1	E48 plastic DIN key interlock switch, 1 NO/1 NC DPDB slow action
E48P4K0	E48 plastic DIN key interlock switch, 2 NC DPDB slow action
ACTUATING KEYS	
E48KL07	Adjustable self aligning, 200 mm (7.8") min. key insertion radius
E48KL08	Vertical, 200 mm (7.8") min. key insertion radius
E48KL09	Horizontal, 200 mm (7.8") min. key insertion radius

NOTE: NO and NC contacts are defined with the key fully engaged in the switch.
Comes complete with operating manual.

Ordering Example: E48P4K1, switch, E48KL07, actuating key.