

# INDUSTRIAL, NETWORKABLE **EZMarquee™** MESSAGE DISPLAYS FOR PROCESS MONITORING



**VISIBLE  
 UP TO  
 400 FEET**

**HIGH PERFORMANCE  
 INDUSTRIAL MARQUEES  
 AT COMMERCIAL PRICES**

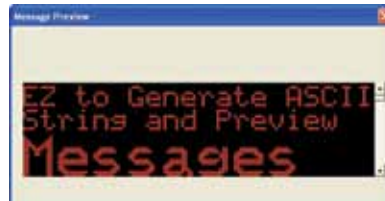
- NEMA 12 for a Reliable Plant Floor Display
- Scroll and Blink Messages
- International Character Set: Cyrillic, French, German, Danish, Swedish, and Kana
- ASCII Messages over RS232/422/485 or Ethernet
- Multiple Marquees on the Same Network

- 2, 4, 6, 8" Character Heights
- Mixed Character Height on Same Line
- Shock Rating: 10 G for 12ms, 0 to 60°C Op. Temperature

## Easy Connect to PLCs and Networks

- DeviceNet
- Profibus
- Ethernet TCP/IP
- MODBUS® TCP/IP
- MODBUS RTU Built-In, NO Extra Cost
- RS232/422/485 Ports Built-in for Connection to PLCs at No Extra Cost

## String Generator Software



*EZMarquee  
 Utility  
**FREE***

**½ Weight, ⅓ Power  
 Consumption vs  
 Competitors**

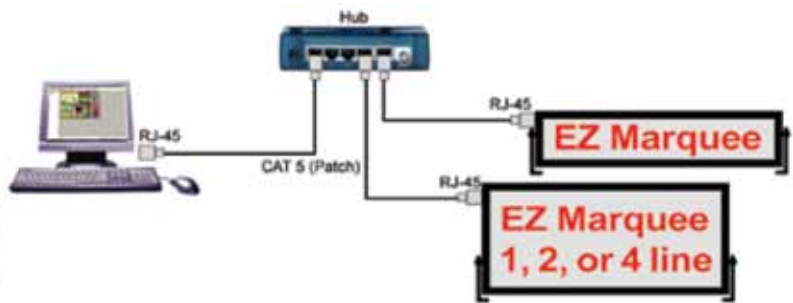


**15 Lbs, 55 Watts  
 2 Line 20 Character Tri-Color**



**Results in  
 NO Overheating  
 NO Thermal Shutdown  
 and Full Operation up to  
 60°C AMBIENT**

# 16 MODELS FOR EVERY APPLICATION AND NETWORKABLE



## EZMARQUEE WILL PAY FOR ITSELF IN LESS THAN 3 MONTHS

### Complete Productivity Monitoring with Data Archiving

Easy connect to EZPLC for extremely low cost stand-alone production monitoring system. Combination of EZPLC and EZMarquee make a terrific system which pays for itself in less than 90 days! Monitor rate per hour, up-time/down-time, pass rate, alarms and archive data.



## 7 WAYS IT PAYS FOR ITSELF



**Oper. Assist Messages**



**Alarm Messages**



**Machine Status**



**Process Parameters**



**Motivational Messages**



**Productivity Data**



**Quality Data**

## EASY TO CONNECT TO ANY PLC



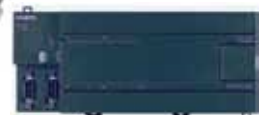
Allen Bradley MicroLogix



GE Versamax



Mitsubishi FX



Siemens S7

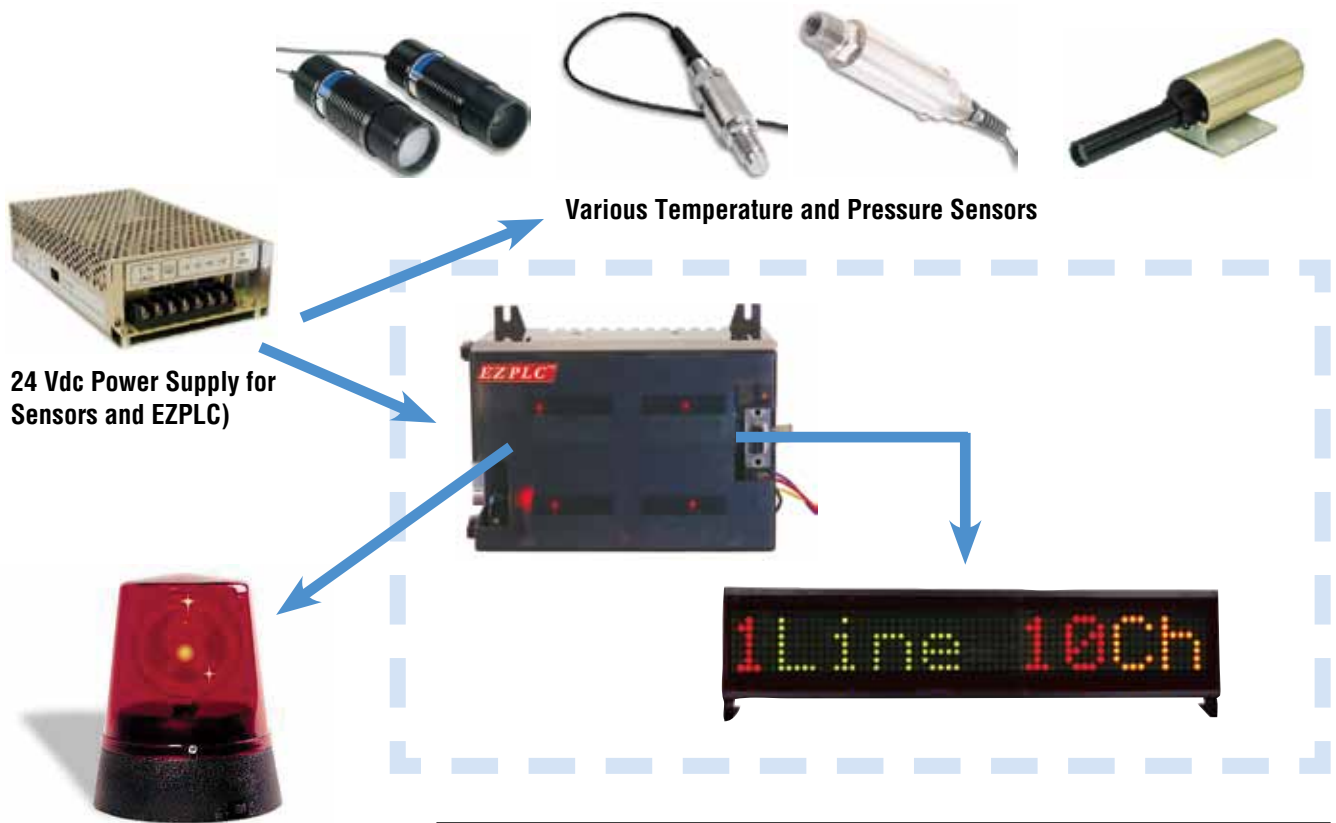
# HIGH PERFORMANCE, LOW COST ANALOG PROCESS DISPLAY AND CONTROL

## Monitor 8 Analog Process Variables, Display on a Tri-Color Marquee and Turn 4 Alarms ON

Let's read 4 to 20 mA current signals from up to 8 different temperature/pressure flow gages, scale the readings, display on a 2' red LED marquee, and activate up to 4 Relay outputs for your alarms and sirens when your process readings exceed programmed limits.

The following stand alone system lets you take 4 to 20 mA current inputs from up to 8 different analog signals. All these sensors will feed input signal to EZPLC which is connected to EZMarquee via RS232/485 communication port. EZPLC can be used to scale all the inputs and display them on a 2" red LED marquee and can also turn Relay outputs to trigger alarms/sirens etc.

Allows you to take input feed from up to 8 Analog devices (pressure transducer, LVDT, etc), where you can display your process variables on a 2" EZMarquee via RS232/422/485. You also get 4 Relay outputs (AC/DC) to trigger sirens/alarms when your process variables go over your set points!



**To Order Visit [omega.com/ezsermarquee](http://omega.com/ezsermarquee) for Pricing and Details**

MODEL	DESCRIPTION
<b>EZMT-1L10C</b>	Tri-color LED, 1 line, 10 characters
<b>EZPLC-A-32</b>	32I/O EZPLC base, AC powered
<b>EZIO-8ANI</b>	8 point analog in
<b>EZIO-4RLO</b>	Relay output module (AC/DC)

## SPECIFICATIONS

**Display Type:** Red or Tri-color

**Agency Approvals:** UL, CUL, CE

**Enclosure:** NEMA 12

**Op. Temp.:** 0 to 60°C  
(32 to 140°F) Ambient

**Storage Temp.:** -40 to 95°C  
(-40 to 203°F) Ambient

**Humidity:** 10 to 95% RH,  
non-condensing

**Input Power:** 110 Vac, 47 to 63 Hz

**Electrical Interference:**

NEMA ICS 2-230 Showering Arc

**Electrical Tolerance:** ANSI C37.90  
a-1974 (SWC) Surge with-stand  
capability test

**Vibration:** 5 to 55 Hz 2G for 2 hours  
in the X, Y, and Z axis

**Shock:** 10G for under 12 ms  
in the X, Y, and Z axis

**Serial Comm.:** RS232/422/485

## MODEL SPECIFIC SPECIFICATIONS

**Power Consumption, Weight,  
Dimensions & Max Viewing Distance**

**EZMR-1L10C:** 8 watts, 2.8 lbs  
18.9 x 4.8 x 2.8", 100 Ft (2"ch)

**EZMT-1L10C:** 14 watts, 3 lbs  
18.9 x 4.8 x 2.8", 100 Ft (2"ch)

**EZMR-2L10C:** 15 watts, 5 lbs  
18.9 x 6.2 x 2.8", 200 Ft (2"ch)

**EZMT-2L10C:** 28 watts, 5.2 lbs  
18.9 x 6.2 x 2.8", 200 Ft (2"ch)

**EZMR-1L20C:** 15 watts, 4.5 lbs  
36.9 x 4.8 x 2.8", 100 Ft (2"ch)

**EZMT-1L20C:** 28 watts, 4.8 lbs  
36.9 x 4.8 x 2.8", 100 Ft (2"ch)

**EZMR-1L40C:** 30 watts, 8 lbs  
72.1 x 5.4 x 2.8", 100 Ft (2"ch)

**EZMT-1L40C:** 60 watts, 8.5 lbs  
72.1 x 5.4 x 2.8", 100 Ft (2"ch)

**EZMR-2L20C:** 30 watts, 8 lbs  
36.1 x 11.7 x 2.7", 200 Ft (4"ch)

**EZMT-2L20C:** 55 watts, 8.5 lbs  
36.1 x 11.7 x 2.7", 200 Ft (4"ch)

**EZMR-2L40C:** 54 watts, 15 lbs  
72.1 x 11.7 x 2.8", 200 Ft (4"ch)

**EZMT-2L40C:** 100 watts, 16 lbs  
72.1 x 11.7 x 2.8", 200 Ft (4"ch)

**EZMR-4L20C:** 55 watts, 15 lbs  
36.577 x 11.72 x 2.75", 400 Ft (8"ch)

**EZMT-4L20C:** 100 watts, 16 lbs  
36.577 x 11.72 x 2.75", 400 Ft (8"ch)

**EZMR-4L40C:** 100 watts, 30 lbs  
72.45 x 11.72 x 2.75", 400 Ft (8"ch)

**EZMT-4L40C:** 180 watts, 32 lbs  
72.45 x 11.72 x 2.75", 400 Ft (8"ch)

All EZMarquees available in Red or Tri-color



To Order Visit [omega.com/ezsermarquee](http://omega.com/ezsermarquee) for Pricing and Details

MODEL	DESCRIPTION
EZMR-1L10C	Red, 1 line of 10 characters
EZMR-1L10C-E	Red, 1 line of 10 characters with ethernet
EZMT-1L10C	Tricolor, 1 line of 10 characters
EZMT-1L10C-E	Tricolor, 1 line of 10 characters with ethernet
EZMR-2L10C	Red, 2 lines of 10 characters each
EZMR-2L10C-E	Red, 2 lines of 10 characters each with ethernet
EZMT-2L10C	Tricolor, 2 lines of 10 characters each
EZMT-2L10C-E	Tricolor, 2 lines of 10 characters with ethernet
EZMR-1L20C	Red, 1 line of 20 characters
EZMR-1L20C-E	Red, 1 line of 20 characters with ethernet
EZMT-1L20C	Tricolor, 1 line of 20 characters
EZMT-1L20C-E	Tricolor, 1 line of 20 characters with ethernet
EZMR-2L20C	Red, 2 lines of 20 characters each
EZMR-2L20C-E	Red, 2 lines of 20 characters with ethernet
EZMT-2L20C	Tricolor, 2 lines of 20 characters
EZMT-2L20C-E	Tricolor, 2 lines of 20 characters with ethernet
EZMR-4L20C	Red, 4 lines of 20 characters each
EZMR-4L20C-E	Red, 4 lines of 20 characters with ethernet
EZMT-4L20C	Tricolor, 4 lines of 20 characters
EZMT-4L20C-E	Tricolor, 4 lines of 20 characters with ethernet
EZM-BKPLT	Back plate without grommets
EZM-TERM5	RS422/485 5 point terminal block for EZMarquee
EZM-MNTBRK1	Mounting brackets for 1 line marquees, pack of 2
EZM-MNTBRK2	Mounting brackets for 2 line marquees, pack of 2

Ordering Examples: **EZMR-1L10C**, EZ marquee, 1 line x 10 characters, red.  
**EZMT-2L10C**, EZ marquee, 2 line x 10 character, tri-color.