

GENERAL PURPOSE AIR LINE FILTER FOR COMPRESSED AIR

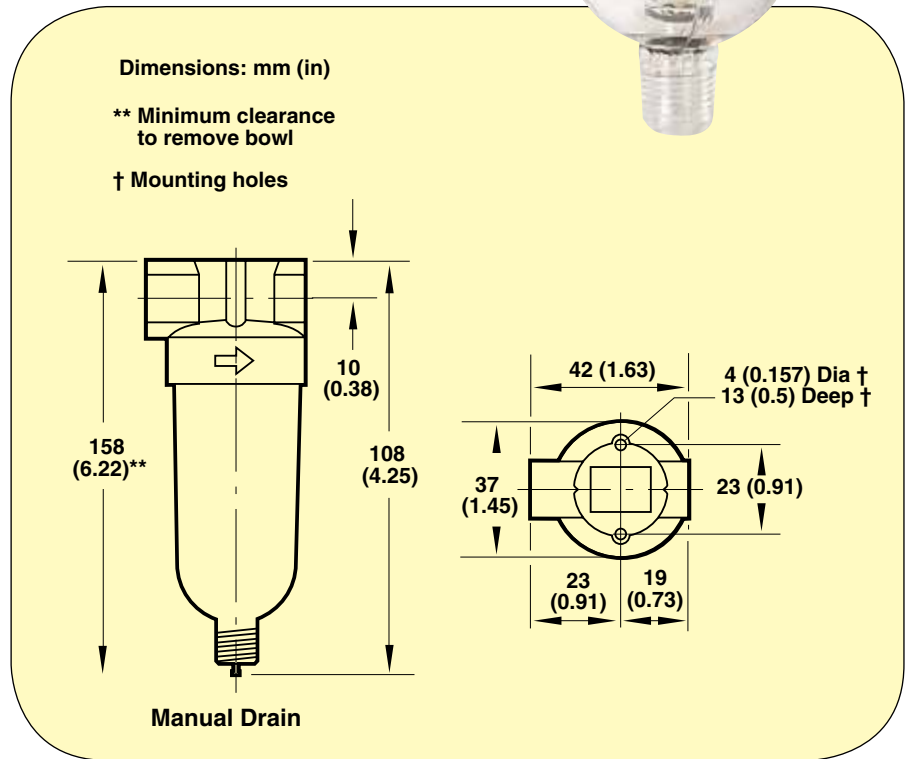
F07-200-A1TA

- Compact Design
- Transparent Polycarbonate Bowl for Visibility
- Automatic Bowl Drain
- Screw-On Bowl Reduces Maintenance Time
- Removes Liquids and Solids
- 5 Micron Filter Element
- 1/4" PTF Gauge Ports
- Maximum Pressure 10 bar (150 psig)
- Transparent Polycarbonate Bowl

General purpose air line filters are designed for in-line use as a single filtering source for liquid and particles from compressed air lines. These air filters include 1/4" PTF threads, a transparent screw-on bowl, automatic drain and 5µm filter element. They are suitable for a wide range of pneumatic tools and pneumatic components and an excellent point of use general purpose filter. These units can be panel mounted with a 30 mm (1.19") diameter mounting hole or can be used with the optional bracket.



F07-200-A1TA shown actual size.



SPECIFICATIONS

Particle Removal: 5µm filter element

Operating Temperature*:

-34 to 50°C (30 to 125°F)

Maximum Pressure: 10 bar (150 psig)

Materials:

Body: Zinc

Bowl: Transparent polycarbonate

Element: Sintered polypropylene

* Air supply must be dry enough to avoid ice formation at temperatures below 2°C (35°F)

To Order

MODEL NO.	PORT (in)	FLOW dm ³ /s (scfm)	WEIGHT kg (lbs)
F07-200-A1TA	1/4	11.5 (24)	0.13 (0.28)

ACCESSORY

OM-AIR-5939-06	Wall mounting bracket
----------------	-----------------------

Ordering Example: F07-200-A1TA, general purpose air filter with 1/4" port and transparent bowl and OM-AIR-5939-06, wall mounting bracket.