

NORGREN EXCELON® OIL REMOVING (COALESCING) FILTERS

NEW

F72C Series



- In-Line or Modular Installation
- High Efficiency Oil and Particle Removal
- Quick Release Bayonet Bowl
- Standard Visual Service Life Indicator Turns from Green to Red When the Filter Element Needs to be Replaced
- Modular Installations with Excelon 72, 73 and 74 Series Can be Made to Suit Particular Applications

SPECIFICATIONS

Fluid: Compressed air

Maximum Pressure:

Transparent Bowl:

Manual or Semiautomatic Drain:

10 bar (150 psig)

Automatic Drain: 8 bar (116 psig)

Metal Bowl:

Manual or Semiautomatic Drain:

17 bar (250 psig)

Automatic Drain: 8 bar (116 psig)

Operating Temperature*:

Transparent Bowl: -34 to 50°C
(-30 to 125°F)

Metal Bowl: -34 to 65°C
(-30 to 150°F)

Particle Removal: 0.01 µm

F72C MATERIALS

Body: Zinc

Transparent Bowl: Polycarbonate

Guard for Transparent Bowl: Zinc

Metal: Zinc

Metal Bowl Liquid Level

Indicator Lens: Transparent nylon

Element: Synthetic fiber and polyurethane foam

Elastomers: Neoprene and nitril



F72C-2AD-AE0 shown smaller than actual size.

Service Life Indicator Materials-

Body: Transparent nylon

Internal Parts: Acetal

Spring: Stainless steel

Elastomers: Nitrile

F73C and F74C MATERIALS

Body: Aluminum

Transparent Bowl: Polycarbonate

Transparent with Guard: Polycarbonate, steel guard

Metal Bowl: Aluminum



F74H-4AD-AD0 shown smaller than actual size.

Metal Bowl Liquid Level

Indicator Lens: Transparent nylon

Element: Synthetic fiber and polyurethane foam

Elastomers: Neoprene and nitrile

Mechanical Service Indicator

Materials Body: Transparent nylon

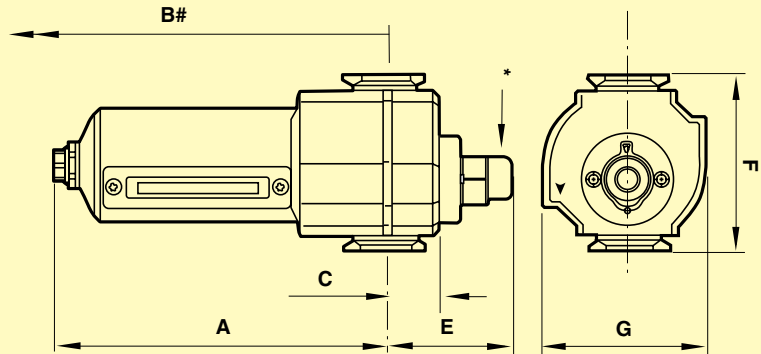
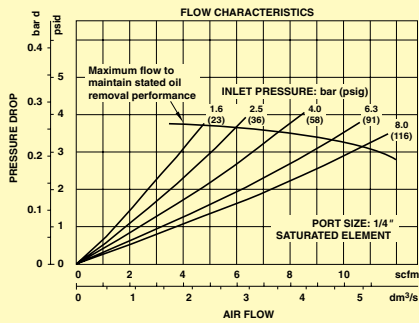
Internal parts: Acetal

Spring: Stainless steel

Elastomers: Nitrile

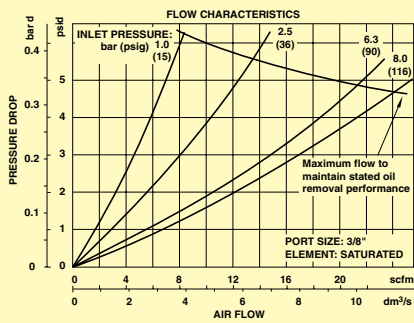
* Air supply must be dry enough to avoid ice formation at temperatures below 2°C (35°F).

F72

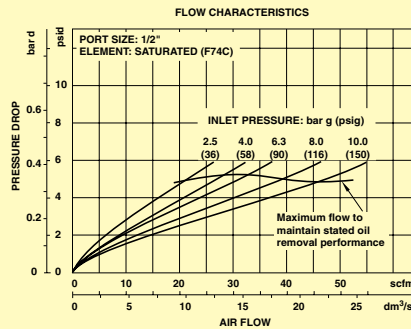


* Standard service indicator
Minimum clearance required to remove bowl

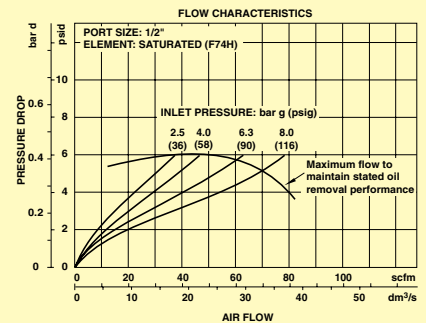
F73



F74C



F74H



DIMENSIONS

STANDARD DIMENSIONS (inch)

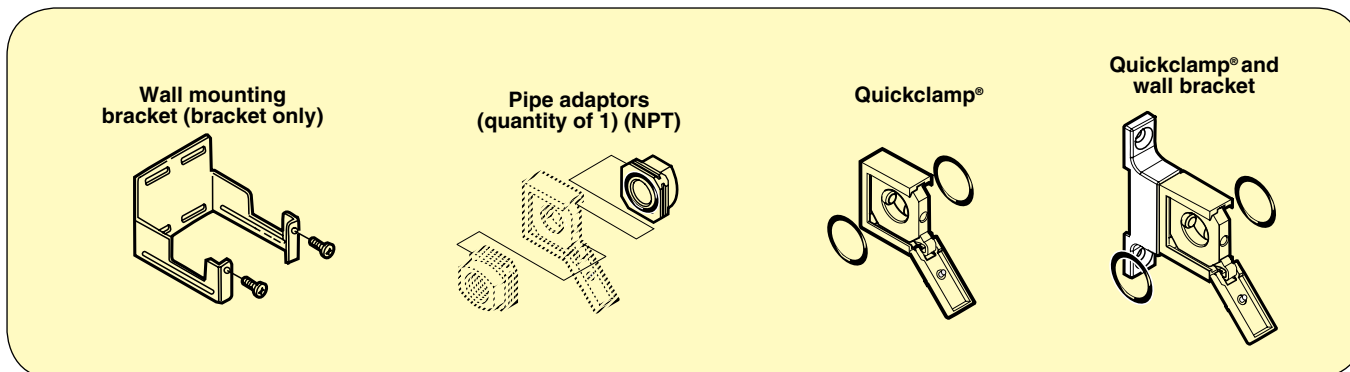
SERIES	DRAIN TYPE	A	B	C	E	F	G
F72C	Auto	5.98	7.99	0.75	2.09	1.97	1.89
F72C	Manual	5.28	7.28	0.75	2.09	1.97	1.89
F73C	Auto	6.48	8.84	0.98	2.36	2.68	2.44
F73C	Manual	6.14	8.50	0.98	2.36	2.68	2.44
F74C	Auto	7.03	9.75	0.98	2.36	3.15	2.91
F74C	Manual	6.97	9.69	0.98	2.36	3.15	2.91
F74H	Auto	9.15	11.87	0.98	2.36	3.15	2.91
F74H	Manual	9.06	11.81	0.98	2.36	3.15	2.91

METRIC DIMENSIONS (mm)

F72C	Auto	152	203	19.1	53.1	50.0	48.0
F72C	Manual	134	185	19.1	53.1	50.0	48.0
F73C	Auto	165	225	24.9	59.9	68.1	62.0
F73C	Manual	156	216	24.9	59.9	68.1	62.0
F74C	Auto	179	248	24.9	59.9	80.0	73.9
F74C	Manual	177	246	24.9	59.9	80.0	73.9
F74H	Auto	232	301	24.9	59.9	80.0	73.9
F74H	Manual	230	300	24.9	59.9	80.0	73.9

To Order Visit omega.com/f72c_series for Pricing and Details

MODEL NO.	PORT SIZE (inch)	FLOW TYPE	FLOW SCFM† (DM ³ /S)	WEIGHT kg (lb)
F72C-2AD-AE0	1/4	Standard flow	9.5 (4.5)	0.54 (1.2)
F73C-3AD-AD0	3/8	Standard flow	21.2 (10.0)	0.54 (1.2)
F74C-4AD-AD0	1/2	Standard flow	33.9 (16.0)	0.83 (1.84)
F74H-4AD-AD0	1/2	High flow	59.3 (28.0)	1.11 (2.45)
F74H-6AD-AD0	3/4	High flow	59.3 (28.0)	1.10 (2.40)



† Maximum flow with 6.3 bar (90 psig) inlet pressure to maintain stated oil removal performance.

ACCESSORIES

MODEL NO.	DESCRIPTION
REPLACEMENT FILTERS	
OM-AIR-5925-09	Filter elements for F72C models
OM-AIR-4444-01	Filter elements for F73C models
OM-AIR-4344-01 (F74C)	Filter elements for F74C models
OM-AIR-4344-01 (F74H)	Filter elements for F74H models
WALL MOUNTING BRACKET	
OM-AIR-4224-50	Wall mounting bracket for F72C models
OM-AIR-4424-50	Wall mounting bracket for F73C models
OM-AIR-4324-50	Wall mounting bracket for F74C and F74H models
QUICKCLAMPS	
OM-AIR-4214-51	Quickclamp for F72C models
OM-AIR-4314-51	Quickclamp for F73C, F74C and F74H models
QUICKCLAMP WALL BRACKET	
OM-AIR-4214-52	Quickclamp wall bracket for F72C models
OM-AIR-4314-52	Quickclamp wall bracket for F73C, F74C and F74H models
PIPE ADAPTORS	
OM-AIR-4215-02	Pipe adaptor with 1/4 NPT threads for F72C models
OM-AIR-4215-03	Pipe adaptor with 3/8 NPT threads for F72C models
OM-AIR-4315-01	Pipe adaptor with 1/4 NPT threads for F73C, F74C and F74H models
OM-AIR-4315-02	Pipe adaptor with 3/8 NPT threads for F73C, F74C and F74H models
OM-AIR-4315-03	Pipe adaptor with 1/2 NPT threads for F73C, F74C and F74H models
OM-AIR-4315-04	Pipe adaptor with 3/4 NPT threads for F73C, F74C and F74H models

Notes: Models listed include PTF threads, service indicator, automatic drain and a metal bowl with liquid level indicator.
Ordering Examples: **F73C-3AD-AD0**, oil removing filter with 3/8" port, metal bowl with liquid level indicator and PTF threads.
F74C-4AD-AD0, oil removing filter with 1/2" port, metal bowl with liquid level sensor and PTF threads.