

FUSE ACCESSORIES

BM Series



Shown smaller than actual size.

BM Series fuse blocks are compatible with the Edison MCL, MEQ, MEN, and MOL and for use with any 1/2 x 1 1/2" fuses.

SPECIFICATIONS

CLASS M SUPPLEMENTARY FUSEBLOCKS

Construction: Thermoplastic, UL flammability; 94V

Ratings: 600 Vac, 30 A

Agency Approvals:

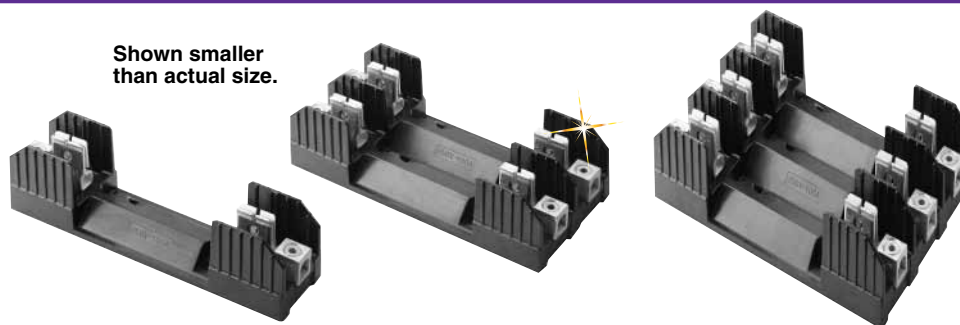
UL Recognized, Guide IZLT2, File E14853; CSA, Class 6225-01, File 47235

To Order

MODEL NO.	POLES
BM6031PQ	1
BM6032PQ	2
BM6033PQ	3

Ordering Example: BM6032PQ, 2 pole fuse blocks.

R250 Series



Shown smaller than actual size.

These R250 Series fuse blocks are compatible with Class R fuses, such as: Edison LENRK and ECNR.

SPECIFICATIONS

Construction: Thermoplastic, UL flammability; 94 V

Ampere Ratings: 1/0 to 600 A

Voltage Ratings: R250, 250 Vac

Agency Approvals: UL Listed, Guide IZLT, File E14853; CSA, Class 6225-01, File 47235

To Order

MODEL NO.	POLES
FUSE BLOCK ACCESSORIES FOR 250V	
R25030-1SR	1
R25030-2SR	2
R25030-3SR	3
R25060-1CR	1
R25060-2CR	2
R25060-3CR	3

Note: SR is a Screw type, clip with reinforced spring, CR is a Box lug type, clip with reinforced spring. Comes with instruction sheet.

Ordering Examples: R25030-1SR, screwtype fuse block, 1 pole.

R25060-2CR, box lug type 2-pole fuse block.

FP Series



Shown smaller than actual size.

The FP-2 and FP-3 are tools to help easily remove fuses. FP-2 is for 1/2 to 13/16" diameter fuses. FP-3 is for 1 to 1 3/4" diameter fuses.

Fusepullers

To Order

MODEL NO.	DESCRIPTION - FUSE DIAMETERS AND TYPES
FP-2	1/2 to 13/16", 0 to 60 A, 250V and 0 to 30 A, 600V
FP-3	1 to 1 3/4", 70 to 200 A, 250V and 35 to 200 A, 600V

Comes with instruction sheet.

Ordering Example: FP-2, 1/2 to 13/16" fuse puller.