

FUSED DISCONNECT SWITCH, 30A, 600 VAC

UL508 LISTED FUSED MANUAL MOTOR CONTROLLERS

KKVM Series



- Across-the-Line Motor Starting
- General Use Rating 30A
- 3-Pole, 600 Vac
- Interrupting Capacity Rating 10 kA
- NEMA Type 4X, IP65 for Indoor or Outdoor Use
- UL508 Listed Manual Motor Controllers (UL60947-4-1A)
- 10-x38 Midget or Class CC Fuses
- Knock-outs on Top and Bottom of Enclosure
- Auxiliary Contacts Available
- Fuses Sold Separately

These polycarbonate enclosed fused disconnect switches can be used for general purpose disconnects or locally for across-the-line manual motor controller. They are IP65 rated and NEMA Type 4X, for indoor or outdoor use and are resistant against many chemicals and UV exposure.

SPECIFICATIONS

Operating Temperature Rating:
-20 to 40°C (-4 to 104°F)

Enclosure Temperature Rating:
-35 to 130°C (-31 to 266°F)

Current: 30A general purpose, 600 Vac, 3-pole

Short Circuit Withstand Rating:
10 kA @ 600V with maximum fuse

Size/Class

K5: 50A

RK5: 50A

RK1: 80A

J: 80A

Terminal Size: 14-8 AWG
(Cu conductors only, 75°C)

Terminal Torque: 16 lb. in.

Materials

Enclosure: Polycarbonate

Contacts: Copper with silver alloy plating

Switch: Polybutylene terephthalate (PBT) polyester resin

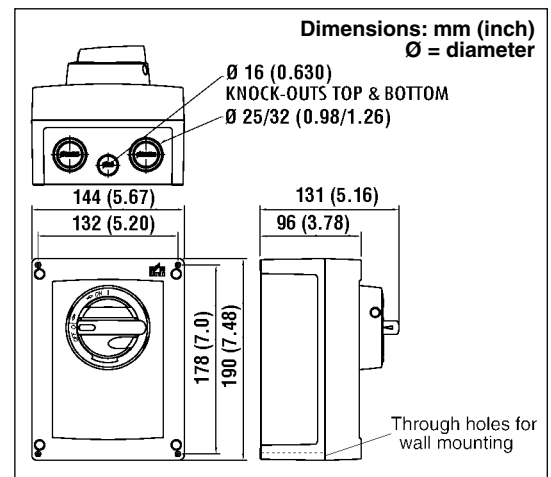
Dimensions: 190 H x 144 W x 131 mm D (7.48 x 5.67 x 5.16")

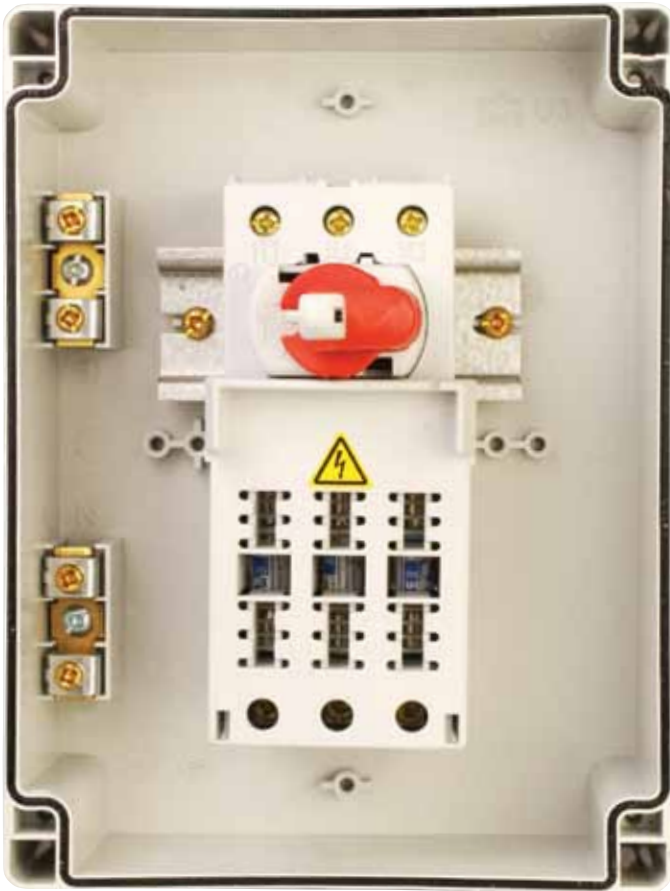
Knock-Outs: M25/32 (2) and M16 (1) top and bottom

Weight: 0.998 kg (2.2 lbs)



AU-KKVM332CC-YR enclosed disconnect switch for class CC fuses, 30A, 600 Vac with yellow/red pad lockable handle, shown smaller than actual size.





AU-KKVM332-YR with front panel removed.



AU-KKVM332-YR front panel.

Both shown smaller than actual size.

To Order

MODEL NO.	DESCRIPTION
AU-KKVM332	Fused disconnect enclosure for 10 x 38 midjet fuses with black lockable handle
AU-KKVM332-YR	Fused disconnect enclosure for 10 x 38 midjet fuses with yellow/red lockable handle
AU-KKVM332CC	Fused disconnect enclosure for Class CC fuses with black lockable handle
AU-KKVM332CC-YR	Fused disconnect enclosure for Class CC fuses with yellow/red lockable handle

ACCESSORIES

MODEL NO.	DESCRIPTION
AU-KU1V	Auxiliary switch, 1 N.O./1 N.C., 10A, 125 to 250 Vac
CG-5308951	M16 grey cable glands with wire range 3.5 to 10 mm
CG-5308953	M25 grey cable glands with wire range 9 to 28 mm
CG-5308954	M32 grey cable glands with wire range 14 to 25 mm

Ordering Examples: AU-KKVM332, general purpose disconnect switch with black lockable handle, for use with 13 x 38 midjet fuses up to 30A.
 AU-KKVM332CC-YR, manual motor fused disconnect switch with yellow/red lockable handle, for use with 13 x 38 Class CC fuses up to 30A.