

HEAVY-DUTY SOLAR BATTERY BOX NEMA 4X (IP66) WEATHERPROOF FIBERGLASS ENCLOSURE

OM-AMHD-R



- Protect Controls and Components Indoors or Outdoors
- Suited for Higher Temperatures or Corrosive Environments
- Factory Installed Mounting Flanges
- UL 94 Flammability Rating
- UV Stabilized for Outdoor Use
- 300 Series SS Hardware and Continuous Hinge
- Optional Sub-Panels and Pole Mounting Kit Available

The OM-AMHD-R Series enclosure is ideally designed to insulate and house off grid heavy-duty solar batteries for various telemetry applications in outdoor locations and are especially well suited for corrosive or marine environments. This enclosure comes with a raised cover and two snap latches, that can be pad locked, and has 5 mm (0.200") thick walls for extra strength.

Popular options are the pole mount kits and the aluminum or steel sub-panels that mount in the rear of the enclosure.

Industry Standards

UL Types: 1, 2, 3, 4, 4X, 12 and 13

CSA Types: 1, 2, 3, 3R, 4 4X, 12 and 13

NEMA Types: 1, 2, 3, 3R, 4, 4X, 12 and 13

IEC 60529 Type: IP66

Specifications

Color: Gray—RAL 7035

Weight: 18 lbs (288 oz)

Box and Cover: Compression molded fiberglass reinforced polyester

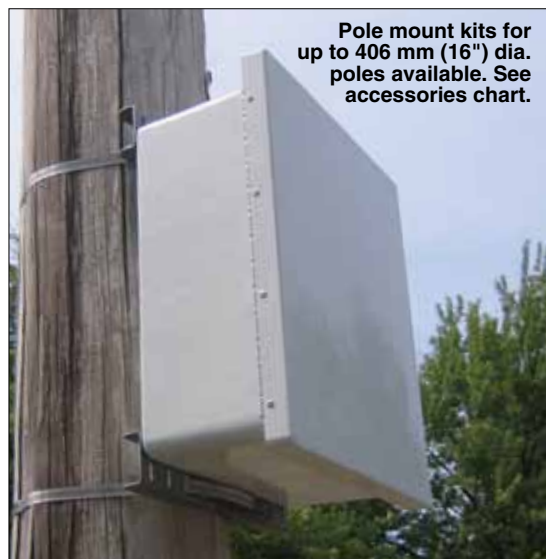
Gasket: Closed cell neoprene

External Hardware: 300 series stainless steel

Internal Hardware: Brass inserts and plated screws



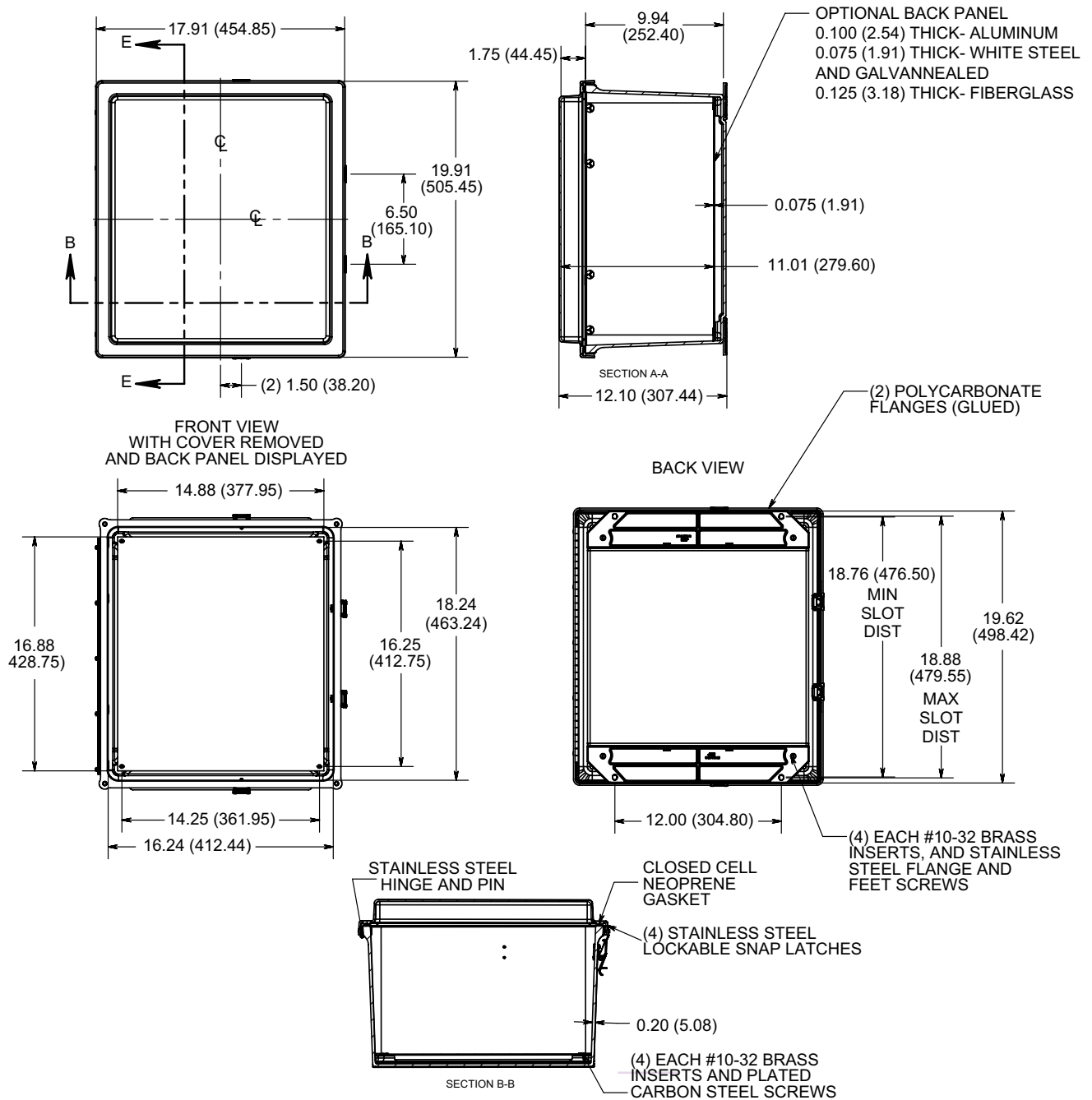
OM-AMHD1860RLF heavy duty wall mount enclosure shown smaller than actual size.



Pole mount kits for up to 406 mm (16") dia. poles available. See accessories chart.

Pole mount kits are 14 gauge (0.075") galvanized steel with 48" SS pole clamp and includes #10-32 SS screws, washers and lock nuts.

Dimensions: inch (mm)



To Order

MODEL NO.	DESCRIPTION
OM-AMHD1860RLF	Heavy-duty battery box, 457 H x 406 W x 254 mm D (18 x 16 x 10")

ACCESSORIES

MODEL NO.	DESCRIPTION
OM-P186	Steel sub-panel painted white, 429 H x 378 mm W (16.88 x 14.88")
OM-PA186	Aluminum sub-panel, 429 H x 378 mm W (16.88 x 14.88")
OM-AMPOLEMNT16	Pole mount kit for 16" wide enclosures

Comes complete with screws to mount optional sub-panel.

Ordering Example: OM-AMHD1860RLF, heavy duty battery enclosure, 457 H x 406 W x 254 mm D (18 x 16 x 10"), OM-AMPOLEMNT16, pole mount kit, and OM-P186, steel sub-panel.