

NEMA C Face Motor Speed Sensor Kit

OMDC-CF Series



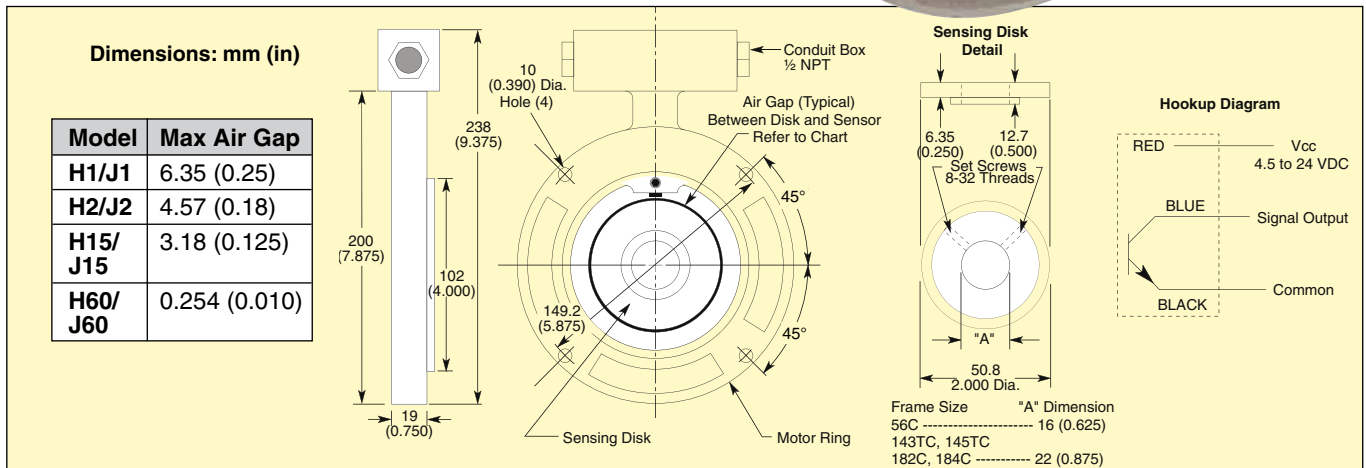
Sensing disk included in kit



Sensor shown on motor, OMPMDC13-18-90V-56C sold separately.



OMDC-CF-H1 shown smaller than actual size.



- ✓ For All NEMA C Face Motors
- ✓ Molded Sensing Disk, Impervious to Dust, Oil and Water
- ✓ Output: NPN Open Collector Capable of Sinking 20 mA DC
- ✓ Operating Temperature: -40 to 125°C (-40 to 257°F)

The OMDC-CF Series motor pick-up sensor kit can be used in place of the OMDC-PU-E series to monitor motor speeds when access to the motor shaft is otherwise impossible. The OMDC-CF series sensor mounts directly to a motor's, NEMA C face. It operates at a 4.5 to 24 Vdc level producing a square wave output which may be used with closed loop controls, or other digital devices.

To Order

Model No.	Description
OMDC-CF-H1	NEMA 56C face motor sensor kit, 1 pulse per revolution
OMDC-CF-H2	NEMA 56C face motor sensor kit, 2 pulses per revolution
OMDC-CF-H15	NEMA 56C face motor sensor kit, 15 pulses per revolution
OMDC-CF-H60	NEMA 56C face motor sensor kit, 60 pulses per revolution
OMDC-CF-J1	NEMA C face motor sensor kit, 1 pulse per revolution*
OMDC-CF-J2	NEMA C face motor sensor kit, 2 pulses per revolution*
OMDC-CF-J15	NEMA C face motor sensor kit, 15 pulses per revolution*
OMDC-CF-J60	NEMA C face motor sensor kit, 60 pulses per revolution*

Comes complete with motor race ring, sensor, mounting bolts, sensing disk and operator's manual.

* Frame sizes 143TC, 145TC, 182C and 184C with 7/8" dia. shaft.

Ordering Examples: OMDC-CF-H15, 15 pulse/revolution pick up, NEMA 56C frame bolt on sensor kit.

OMDC-CF-J15, NEMA C frame bolt on sensor kit, for NEMA 143TC, 145TC, 182C, 184C frame sizes.