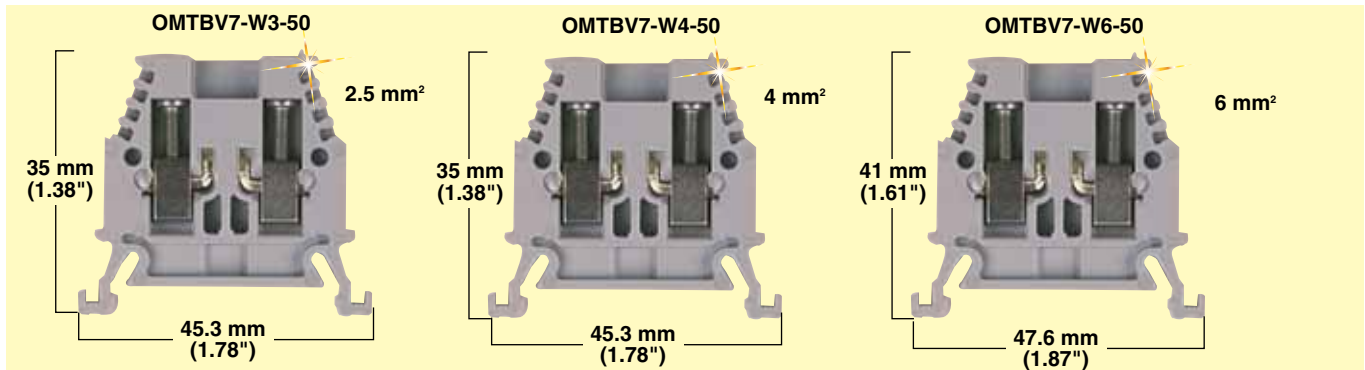


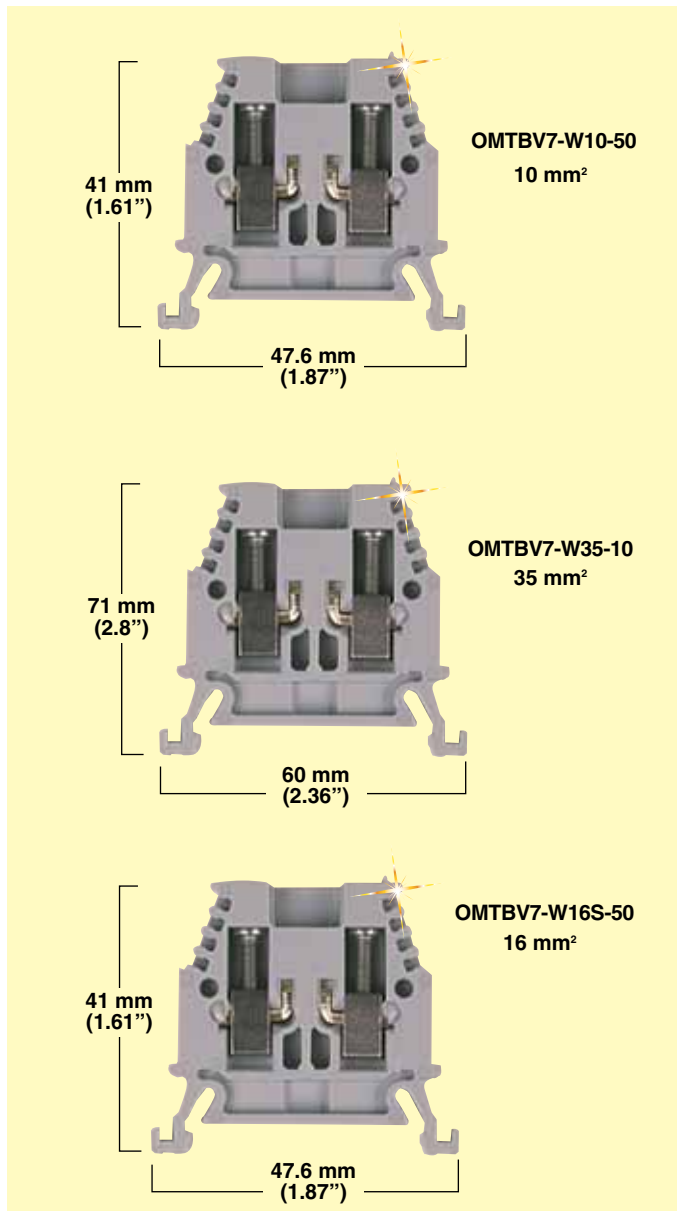
DIN RAIL TERMINAL BLOCKS



Standard Feed-Through Blocks

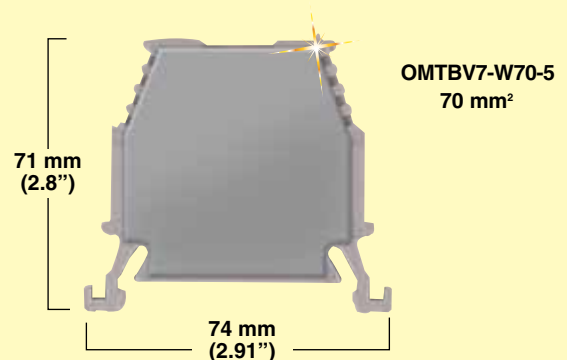
To Order				
TERMINAL	PKG OF 50	MODEL NO.	MODEL NO.	MODEL NO.
Gray		OMTBV7-W3-50	OMTBV7-W4-50	OMTBV7-W6-50
Red		OMTBV7-W3-RE-50	OMTBV7-W4-RE-50	OMTBV7-W6-RE-50
Blue		OMTBV7-W3-B-50	OMTBV7-W4-B-50	OMTBV7-W6-B-50
Black		OMTBV7-W3-BL-50	OMTBV7-W4-BL-50	OMTBV7-W6-BL-50
Green		OMTBV7-W3-G-50	OMTBV7-W4-G-50	OMTBV7-W6-G-50
Yellow		OMTBV7-W3-Y-50	OMTBV7-W4-Y-50	OMTBV7-W6-Y-50
Orange		OMTBV7-W3-OR-50	OMTBV7-W4-OR-50	OMTBV7-W6-OR-50
White		OMTBV7-W3-W-50	OMTBV7-W4-W-50	OMTBV7-W6-W-50
Brown		OMTBV7-W3-BR-50	OMTBV7-W4-BR-50	OMTBV7-W6-BR-50
ACCESSORIES				
End barrier, pkg of 50		OMTBV7-EB3-50	OMTBV7-EB3-50	OMTBV7-EB10-50
End anchors -50 (pkg of 50) -10 (pkg of 10)				
Screw type—normal duty		OMTBV7-EA35-50	OMTBV7-EA35-50	OMTBV7-EA35-50
Screw type—neavy duty		OMTBV7-EAH35-10	OMTBV7-EAH35-10	OMTBV7-EAH35-10
DIN rail, 35 x 7.5 mm x 2 m, slotted		XBANS3575P	—	—
DIN rail, 35 x 7.5 mm x 2 m, solid		XBANS3575U	—	—
DIN rail, 35 x 15 mm x 2 m, slotted		XBANS3515P	—	—
DIN rail, 35 x 15 mm x 2 m, solid		XBANS3515U	—	—
Blank marking tags, 5 x 9 mm, cards of 100		OMTBV7-SM5X9	—	—
Blank marking tags, 5 x 12 mm, cards of 100		OMTBV7-SM5X12	—	—
Blank marking tags, 6 x 12 mm, cards of 100		—	OMTBV7-SM6X12	OMTBV7-SM6X12
Pre-printed marking tabs, single digit (0...9), sticks of 10		OMTBV7-MP	OMTBV7-MP	OMTBV7-MP
JUMPERS PKG OF 5 OR 10				
Side jumper, 10-pole insulated		OMTBV7-SJ5-10-10	OMTBV7-SJ6-10-10	—
Center jumper, 50-pole		OMTBV7-CJ5-50-5	OMTBV7-CJ6-50-5	—
Center jumper, 10-pole		OMTBV7-CJ5-10-10	OMTBV7-CJ6-10-10	OMTBV7-CJ7-10-10
Center jumper, 3-pole		OMTBV7-CJ5-3-10	OMTBV7-CJ6-3-10	OMTBV7-CJ7-3-10
Center jumper, 2-pole		OMTBV7-CJ5-2-10	OMTBV7-CJ6-2-10	OMTBV7-CJ7-2-10

SPECIFICATIONS	OMTBV7-W3			OMTBV7-W4			OMTBV7-W6		
Approvals									
Voltage Rating (AC/DC)	600V	600V	800V	600V	600V	800V	600V	600V	800V
Maximum Current	20 A	20 A	24 A	30 A	30 A	32 A	40 A	40 A	41 A
Wire Range (Rated Cross Section)	#22 to #14 AWG	#30 to #14 AWG	0.5 to 2.5 mm ²	#22 to #10 AWG	#22 to #10 AWG	0.5 to 4 mm ²	#22 to #10 AWG	#22 to #10 AWG	0.5 to 6 mm ²
Wire Strip Length	10 mm (0.39")			10 mm (0.39")			12 mm (0.47")		
Recommended Tightening Torque	0.6 Nm (5.0 to 5.6 lb-in.)			0.6 Nm (5.0 to 5.6 lb-in.)			0.7 Nm (5.6 to 6.8 lb-in.)		
Density	200/m (61 pcs./ft)			166/m (50 pcs./ft)			142/m (43 pcs./ft)		
Insulation Temperature Range	-40 to 90°C (-40 to 195°F)			-40 to 90°C (-40 to 195°F)			-40 to 90°C (-40 to 195°F)		












Standard Feed-Through Blocks

To Order			
TERMINAL PKG OF 5	MODEL NO.		
Gray	OMTBV7-W70-5		
Blue	OMTBV7-W70-B-5		
ACCESSORIES			
End barrier	Not Required		
End anchors	-		
-50 (pkg of 50)	-		
-10 (pkg of 10)	-		
Screw type—normal duty	-		
Screw type—heavy duty	OMTBV7-EAH35-10		
SPECIFICATIONS			
Approvals			
Voltage Rating (AC/DC)	600V	600V	750V
Maximum Current	310 A	200 A	175 A
Wire Range (Rated Cross Section)	#4... #3/0 AWG	#4... #3/0 AWG	4...70 mm ²
Wire Strip Length	26 mm (1.02")		
Recommended Tightening Torque	15 Nm (132.8 lb-in.)		
Density	43/m (38 pcs./ft)		
Insulation Temperature Range	-40 to 90°C (-40 to 195°F)		



Standard Feed-Through Blocks

To Order									
TERMINAL	MODEL NO.			MODEL NO.			MODEL NO.		
Gray	OMTBV7-W10-50			OMTBV7-W16S-50			OMTBV7-W35-10		
Red	OMTBV7-W10-RE-50			OMTBV7-W16S-RE-50					
Blue	OMTBV7-W10-B-50			OMTBV7-W16S-B-50			OMTBV7-W35-B-10		
Black	OMTBV7-W10-BL-50			OMTBV7-W16S-BL-50					
Green	OMTBV7-W10-G-50			OMTBV7-W16S-G-50					
Yellow	OMTBV7-W10-Y-50			OMTBV7-W16S-Y-50					
Orange	OMTBV7-W10-OR-50			OMTBV7-W16S-OR-50					
White	OMTBV7-W10-W-50			OMTBV7-W16S-W-50					
Brown	OMTBV7-W10-BR-50			OMTBV7-W16S-BR-50					
ACCESSORIES									
End barrier pkg of 50	OMTBV7-EB10-50			OMTBV7-EB10-50			OMTBV7-EB35-50		
End anchors -50 (pkg of 50) -10 (pkg of 10) Screw type—normal duty Screw type—heavy duty	OMTBV7-EA35-50 OMTBV7-EAH35-10			OMTBV7-EA35-50 OMTBV7-EAH35-10			OMTBV7-EA35-50 OMTBV7-EAH35-10		
DIN rail, 35 x 7.5 mm x 2 m, slotted	XBANS3575P			XBANS3575P			XBANS3575P		
DIN rail, 35 x 7.5 mm x 2 m, solid	XBANS3575U			XBANS3575U			XBANS3575U		
DIN rail, 35 x 15 mm x 2 m, slotted	XBANS3515P			XBANS3515P			XBANS3515P		
DIN rail, 35 x 15 mm x 2 m, solid	XBANS3515U			XBANS3515U			XBANS3515U		
Blank marking tags, 6 x 12 mm, cards of 100	—			OMTBV7-SM6X12			OMTBV7-SM6X12		
Blank marking tags, 8 x 12 mm, cards of 100	OMTBV7-SM8X12			—			—		
Pre-printed marking tabs, single digit (0..9), sticks of 10	OMTBV7-MP			OMTBV7-MP			OMTBV7-MP		
CENTER JUMPERS PKG OF 10									
3-pole 2-pole	— —			OMTBV7-CJS11-3-10 OMTBV7-CJS11-2-10			OMTBV7-CJ14-3-10 OMTBV7-CJ14-2-10		
SPECIFICATIONS	OMTBV7-W10			OMTBV7-W16S			OMTBV7-W35		
Approvals									
Voltage Rating (AC/DC)	600V	600V	800V	600V	600V	800V	600V	600V	750V
Maximum Current	50 A	50 A	57A	85A	85A	76A	140A	125A	138A
Wire Range (Rated Cross Section)	#22 to #8 AWG	#22 to #8 AWG	0.5 to 10 mm ²	#14 to #4 AWG	#14 to #4 AWG	#2.5 to #16 AWG	#14... #3/0 AWG	2.5...35 #3/0 AWG	4...70 mm ²
Wire Strip Length	13 mm (0.51")			13 mm (0.51")			17 mm (0.67")		
Recommended Tightening Torque	1.4 Nm (12.2 to 13.4 lb-in.)			2.1 Nm (18 to 20 lb-in.)			2.5 Nm (22.1 lb-in.)		
Density	125/m (38 pcs./ft)			90/m (27 pcs./ft)			71/m (21 pcs./ft)		
Insulation Temperature Range	-40 to 90°C (-40 to 195°F)			-40 to 90°C (-40 to 195°F)			-40 to 90°C (-40 to 195°F)		

Ordering Examples: OMTBV7-W10-50, 50 pieces of 600V feed through terminal blocks for #22-18 AWG rated for 50 A, OMTBV7-EB10-50, 50 pieces end barriers

OMTBV7-W35-10, 10 pieces of 600V feed through terminal blocks for #3/0 AWG rated for 125 A