

# NEMA 4X 304 SS ELECTRICAL ENCLOSURE WALL MOUNT ENCLOSURE WITH 3-POINT LATCHING HANDLE

## *SCE-ELSSLPPL Series*



- 0.75" Thick 304 Stainless Steel
- Seams Continuously Welded and Ground Smooth
- Flange Trough Collar Around All Sides of Door Opening
- Collar Studs Provided for Mounting Optional Sub-Panels
- Mounting Holes in Back of the Enclosure for Wall Mounting
- Mounting Hardware, Sealing Washers and Hole Plugs Included
- Stainless Steel Concealed Hinges
- Removable and Interchangeable Doors
- Black Zinc Die Cast Keylocking/ Padlocking Handles
- 3-Point Latching Mechanism
- Removable Print Pocket
- Oil and Water Resistant Gasket
- Ground Stud on Door and Body

**For Our Full  
Selection of  
Terminal Blocks,  
DIN Rails  
and Power  
Supplies Visit  
Us Online!**



SCE-24EL2010SSLPPL, 304 stainless steel wall mount enclosure with 3-point latching mechanism. Shown smaller than actual size.

The SCE-ELSSLPPL Series of electrical enclosures are designed to house electrical and electronic controls, instruments and equipment in areas which may be regularly hosed down or are in very wet conditions. These stainless steel electrical cabinets provide protection from dust, dirt, oil and strong jets of water. This outdoor electrical control panel is the solution for weatherproof applications. For outdoor applications a drip shield is recommended.

## **SPECIFICATIONS**

### **Industry Standards (IS6):**

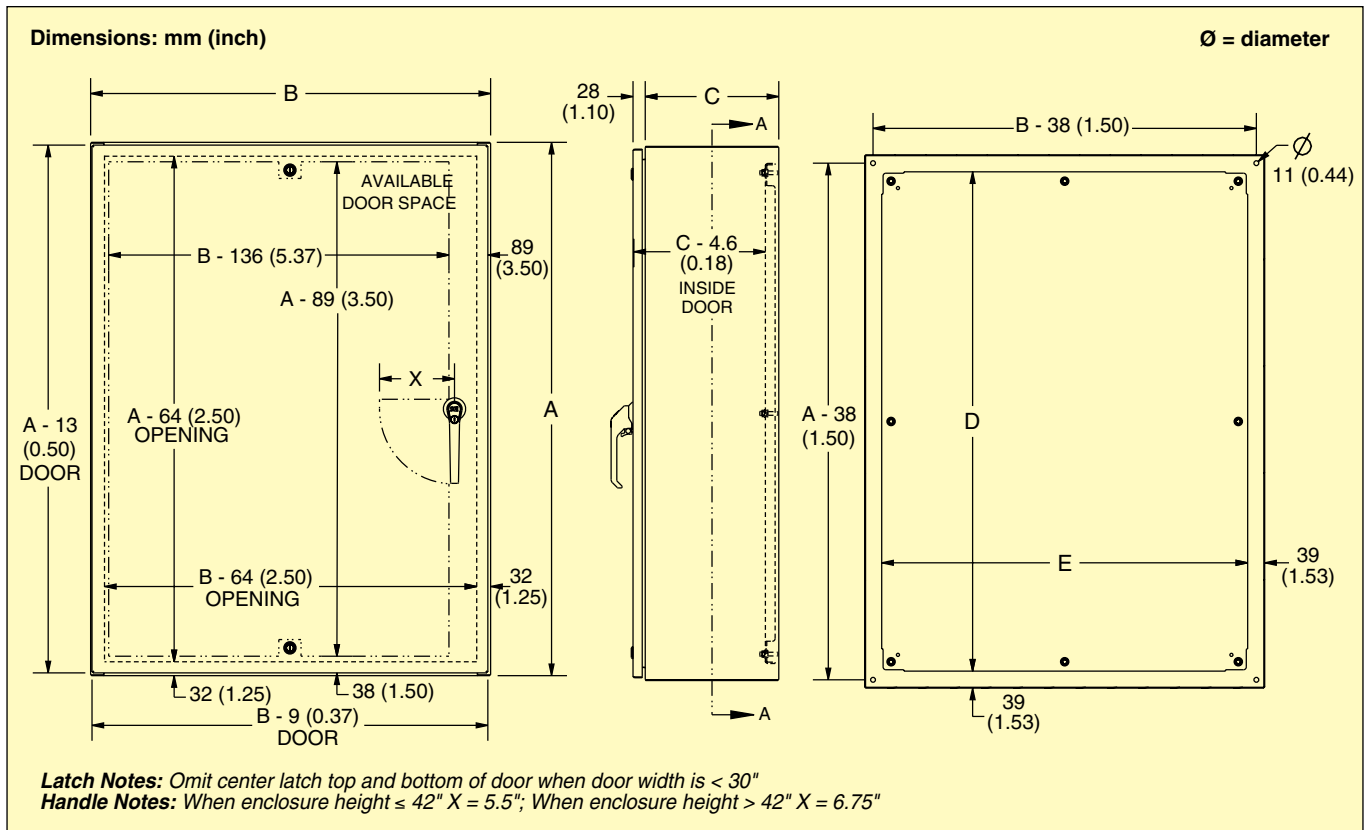
**NEMA:** Type 3R, 4, 4X, 12 and Type 13

**UL Listed:** Type 3R, 4, 4X and 12

**CSA:** Type 4, 4X and 12

**IEC:** 60529 IP66

**Finish:** #4 brushed finish on all exterior surfaces



<b>To Order</b>						
<b>ENCLOSURES</b>				<b>SUB-PANELS</b>		
MODEL NO.	HEIGHT (A)	WIDTH (B)	DEPTH (C)	MODEL NO.	HEIGHT (D)	WIDTH (E)
SCE-24EL2010SSLPPL	24"	20"	10"	SCE-24P20	21"	17"
SCE-24EL2410SSLPPL	24"	24"	10"	SCE-24P24	21"	21"
SCE-30EL2412SSLPPL	30"	24"	12"	SCE-30P24	27"	21"
SCE-30EL3012SSLPPL	30"	30"	12"	SCE-30P30	27"	27"
SCE-36EL2412SSLPPL	36"	24"	12"	SCE-30P24	33"	21"
SCE-36EL3012SSLPPL	36"	30"	12"	SCE-36P30	33"	27"
SCE-42EL3612SSLPPL	42"	36"	12"	SCE-42P36	39"	33"
SCE-48EL3612SSLPPL	48"	36"	12"	SCE-48P36	45"	33"
SCE-60EL3612SSLPPL	60"	36"	12"	SCE-60P36	57"	33"
<b>DRIP SHIELDS</b>						
MODEL NO.	DESCRIPTION					
SCE-DS20SS	304 stainless steel drip shield for 20" wide enclosure					
SCE-DS24SS	304 stainless steel drip shield for 24" wide enclosure					
SCE-DS30SS	304 stainless steel drip shield for 30" wide enclosure					
SCE-DS36SS	304 stainless steel drip shield for 36" wide enclosure					

Comes complete with mounting hardware, sealing washers and hole plugs.

**Ordering Examples:** SCE-24EL2010SSLPPL, NEMA 4X 304 SS weatherproof electrical enclosure, 24 H x 20 W x 10" D, and SCE-24P20, sub-panel for 24 x 20" enclosure.

SCE-30EL2412SSLPPL, NEMA 4X 304 SS wall mount enclosure for washdown applications 30 H x 24 W x 12"D, SCE-30P24, sub-panel for 30 x 24" enclosure, and SCE-DS24SS, 304 SS drip shield for 24" W enclosure.