

INDOOR-OUTDOOR ENCLOSURES

WITH PROVISIONS FOR DISCONNECT

SCE-XELLP SERIES



- Carbon Steel and 304 or 316L Stainless Steel
- Seams Continuously Welded and Ground Smooth
- Flange Trough Collar Around All Sides of Door Opening
- Oil-Resistant Gasket
- Concealed Hinge and Removable Center Post
- Removable and Interchangeable Doors
- 3-Point Latching Mechanism
- Removable Print Pocket
- 15" Removable Floor Stands
- Mechanical Interlock from Main to Secondary Door
- Black Zinc Die Cast Coinproof/ Padlocking Handle on Main, Padlocking Handle on All Other Doors

The SCE-XELLP Series two door indoor/outdoor electrical enclosures are designed to house electrical and electronic controls, instruments and equipment in areas which may be regularly hosed down or are in very wet conditions. These electrical control panels provide protection from dust, dirt, oil and water. This outdoor electrical control panel is the solution for waterproof and weatherproof applications. The enclosures are extra deep for applications requiring more interior space.

These enclosures are available in 0.125" thick carbon steel (0.104" thick door) with ANSI-61 gray powder coated inside and out. The sub-panels are powder coated white. The stainless steel models are available in 0.104" thick 304 or 316L stainless steel, with #4 brushed finish.

Disconnect switch (or circuit breaker and operating mechanism) are not furnished with this enclosure.



SCE-60XEL4912LP, NEMA 3R and 4 steel enclosure, 60 H x 49 W x 12" D.

SPECIFICATIONS

Industry Standards: IS3

NEMA Type: 3R, 12 and type 13

UL Listed Type: 3R and 12

CSA Type: 3R and 12

IEC: 60529 IP55

Industry Standards: IS4

NEMA Type: 3R, 4, 12 and type 13

UL Listed Type: 3R, 4 and 12

CSA Type: 3R, 4 and 12

IEC: 60529 IP66

Industry Standards: IS5

NEMA Type: 3R, 4, 4X, 12 and type 13

UL Listed Type: 3R, 4, 4X, and 12

CSA Type: 3R, 4, 4X, and 12

IEC: 60529 IP66

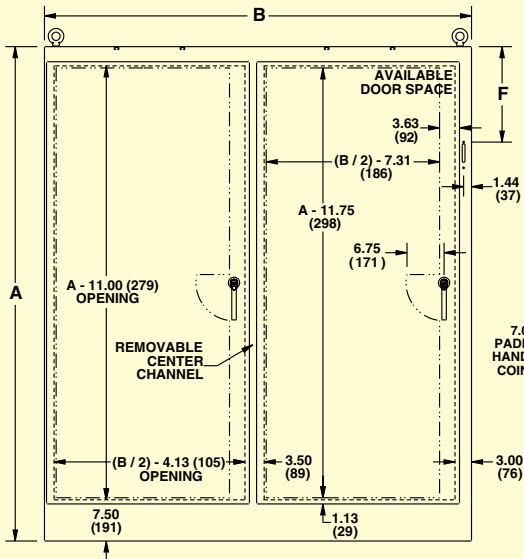
Type 3R Special Instructions apply for IS3 & IS4 to maintain the environmental rating of Type 3R for these parts. Instructions are located on the enclosure door. Drip shield is required on IS3, drip shield is recommended on IS4. Drain holes are required on both



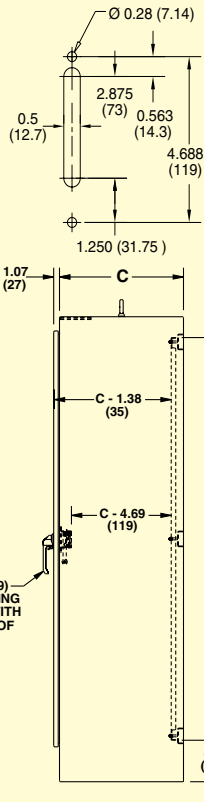
Dimensions: inch (mm)

Flange Mounted Operator Handle and Operating Mechanisms.

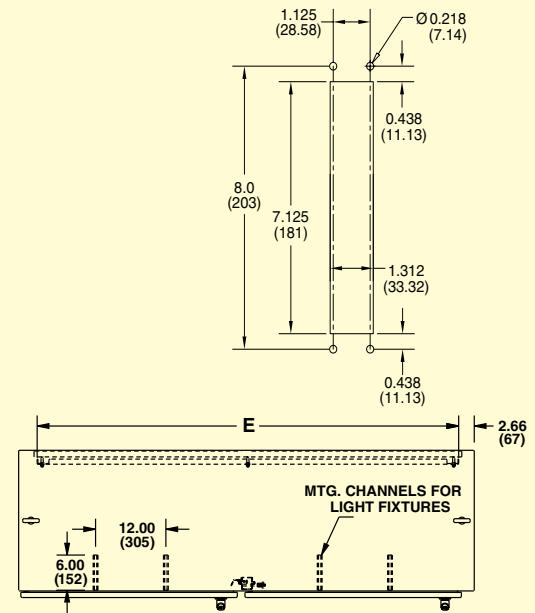
“D1” cutout detail is the standard and most commonly used cutout, a universal disconnect cutout “D7” is also available, add “U” to the end of the model number for the D7 cutout.



Standard disconnect cutout provided D1



Universal disconnect cutout D7



STANDARD DISCONNECTS:

- F = 11.88 (301.7) when A = 72.00 (1828.8)
- F = 17.38 (441.4) when A = 84.00 (2133.6)
- F = 20.38 (517.6) when A = 90.00 (228.6)

U TYPE (Universal) DISCONNECTS:

- F = 17.63 (447.8)

To Order Visit omega.com/sce-xellp for Pricing and Details

MODEL NUMBER	HEIGHT A inch	WIDTH B inch	DEPTH C inch	INDUSTRY STANDARD	SUB-PANEL (SOLD SEPARATELY)	HEIGHT D inch	WIDTH E inch
SCE-60XEL4912LP	60	49	12	IS4	SCE-60P48	56	44
SCE-60XEL4918LP	60	49	18	IS4	SCE-60P48	56	44
SCE-60XEL49124LP	60	49	24	IS4	SCE-60P48	56	44
SCE-60XEL6112LP	60	61	12	IS4	SCE-60P60	56	56
SCE-60XEL6118LP	60	61	18	IS4	SCE-60P60	56	56
SCE-60XEL6124LP	60	61	24	IS4	SCE-60P60	56	56
SCE-72XEL6112LP	72	61	12	IS4	SCE-72P60	68	56
SCE-72XEL6118LP	72	61	18	IS4	SCE-72P60	68	56
SCE-72X7312LP	72	73	12	IS3	SCE-72P72	68	68
SCE-72XEL7312LP	72	73	12	IS4	SCE-72P72	68	68
SCE-72X7318LP	72	73	18	IS3	SCE-72P72	68	68
SCE-72XEL7318LP	72	73	18	IS4	SCE-72P72	68	68
SCE-72X7324LP	72	73	24	IS3	SCE-72P72	68	68
SCE-72XEL7324LP	72	73	24	IS4	SCE-72P72	68	68

DRIP SHIELDS	
MODEL NO.	DESCRIPTION
SCE-DS48N4	Gray steel drip shield 48" long
SCE-DS60N4	Gray steel drip shield 60" long
SCE-DS72N4	Gray steel drip shield 72" long
SCE-DS48SS	Stainless steel drip shield 48" long
SCE-DS60SS	Stainless steel drip shield 60" long
SCE-DS72SS	Stainless steel drip shield 72" long

Note: “D1” cutout is standard, add “U” to the end of any model number for the “D7” cutout. For 304 stainless steel insert “SS”, for 316L stainless steel insert “SS6”. Ex. SCE-60XEL4912SSLP, 304 SS enclosure. SCE-60XEL4912SS6LP, 316L SS enclosure

Ordering Examples: SCE60XEL4912LP, NEMA 3R, UL Type 12 carbon steel flange-mount disconnect enclosure, 60 H x 49 W x 12" D, and SCE-60P48, sub-panel for 60 x 49" enclosure, 56 H x 44" W.

SCE-72XEL6118SS6LP, NEMA 4X Outdoor 316L stainless steel flange-mount disconnect enclosure, 72 H x 61 W x 18" D, and SCE-72P60, sub-panel for 72 x 61" enclosure, 68 H x 56" W.