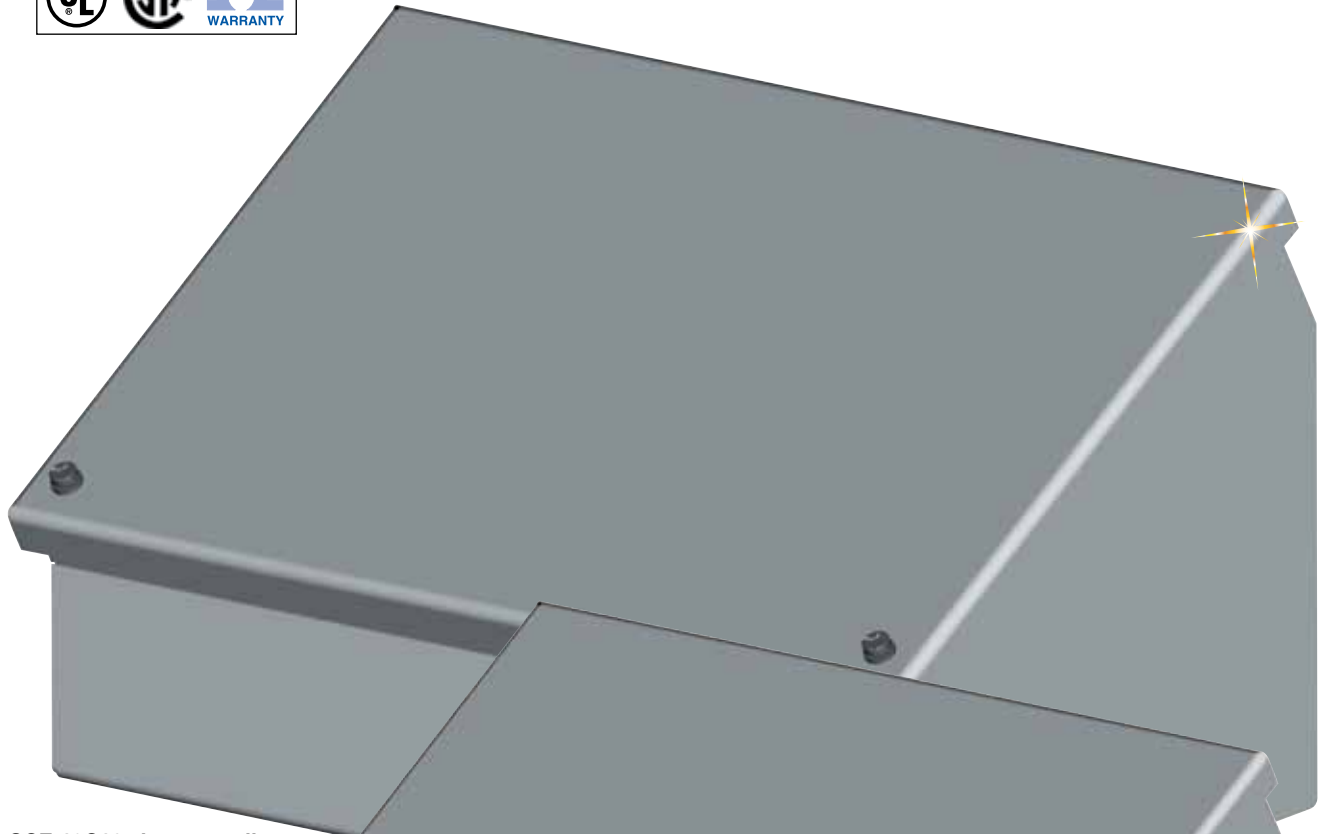
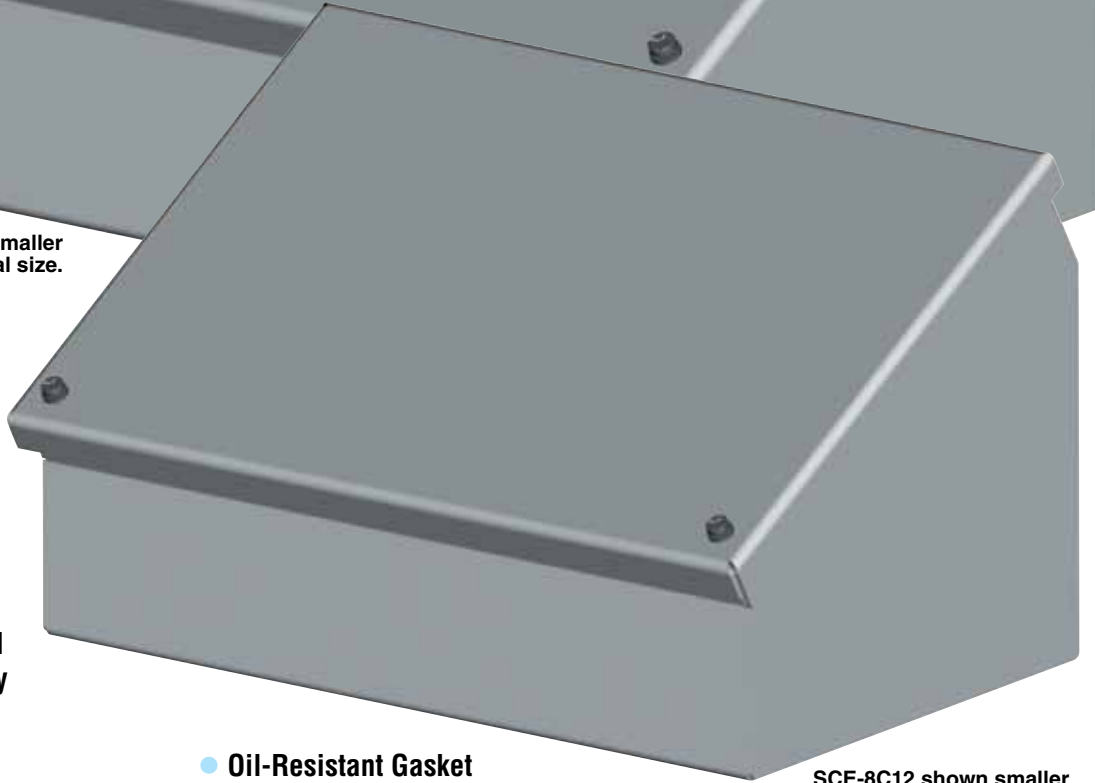


NEMA TYPE 12 CONSOLETS/OPERATOR SYSTEM ENCLOSURES

SCE Consolet Series

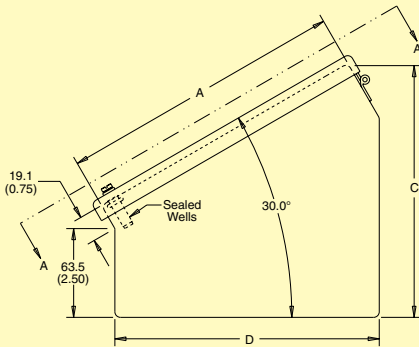
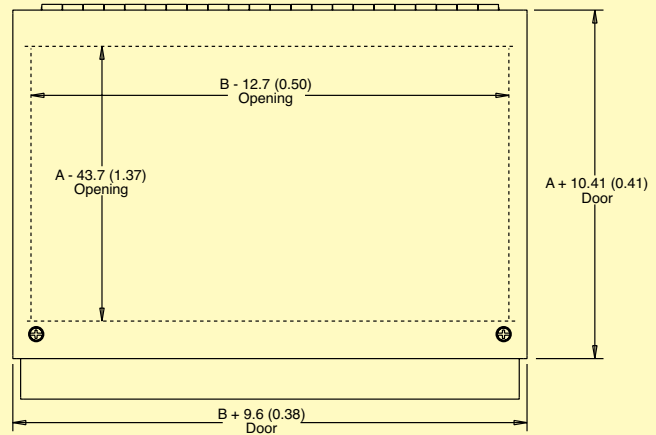
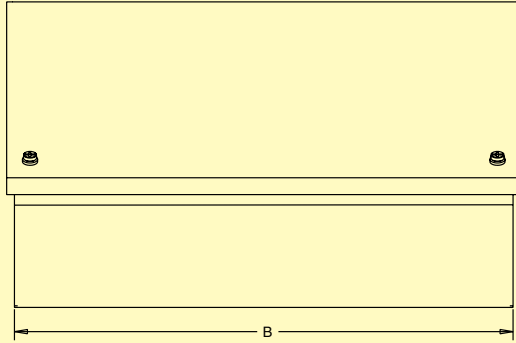


SCE-12C16 shown smaller than actual size.



SCE-8C12 shown smaller than actual size.

- 0.075" Carbon Steel
- Seams Continuously Welded and Ground Smooth, No Holes or Knock-Outs
- Captivated Cover Screws Thread Into sealed wells
- Door Attached With Continuous Hinge
- Oil-Resistant Gasket
- Ground Stud on Door
- May Also Be Ordered in Type 304 and Type 316 Stainless Steel



Dimensions: mm (inch)

To Order

MODEL NO.	HEIGHT (A)	WIDTH (B)	DEPTH (C)	DEPTH (D)
SCE-8C8	8.00	8.00	7.09	7.44
SCE-8C12	8.00	12.00	7.09	7.44
SCE-8C16	8.00	16.00	7.09	7.44
SCE-8C20	8.00	20.00	7.09	7.44
SCE-12C12	12.00	12.00	9.09	10.91
SCE-12C16	12.00	16.00	9.09	10.91
SCE-12C20	12.00	20.00	9.09	10.91
SCE-12C24	12.00	24.00	9.09	10.91
SCE-16C16	16.00	16.00	11.09	14.38
SCE-16C20	16.00	20.00	11.09	14.38
SCE-16C24	16.00	24.00	11.09	14.38
SCE-16C30	16.00	30.00	11.09	14.38
SCE-16C36	16.00	36.00	11.09	14.38
SCE-20C20	20.00	20.00	13.09	17.84
SCE-20C24	20.00	24.00	13.09	17.84

Ordering Examples: **SCE-8C8** Type 12 consolelet.

SCE-16C20 Type 12 consolelet, **SCE-66CCOL** straight column with 6 x 6" mounting flange, 35" tall, **SCE-18SBASE** pedestal base.

Application

Designed to house electrical and electronic controls, instruments, and components. Provides protection from dust, dirt, oil and water. Consolelets can be mounted on either of two sides to give a control surface inclined 30 or 60°. Can be mounted on desks, machines, or pedestals.

Finish

ANSI-61 gray powder coating inside and out over phosphatized surfaces. Pedestals and bases are ANSI-61 gray powder coating.

Industry Standards

NEMA Type 12 & Type 13
 UL Listed Type 12
 CSA Type 12
 IEC 60529 IP 55

Accessories

MODEL NO.	DESCRIPTION	DIMENSIONS
SCE-18SBASE	Pedestal base	18.00 x 18.00 x 1.00
SCE-24SBASE	Pedestal base	24.00 x 24.00 x 1.00
SCE-44CCOL	Straight column	4.00 x 4.00 x 35.00
SCE-44PBCOL	Angled column	4.00 x 4.00 x 35.00
SCE-66CCOL	Straight column	6.00 x 6.00 x 35.00
SCE-66PBCOL	Angled column	6.00 x 6.00 x 35.00