



NEMA TYPE 4 22.5 AND 30.5 MM PUSHBUTTON ENCLOSURES

SCE-PB Series



- 0.075" Carbon Steel
- Continuously Welded Seams
- Captivated Cover Screws Thread Into Sealed Wells
- 4-Way Pushbutton Holes Accept all Brands of Oil-Tight Pushbuttons, Switches and Pilot Lights
- Immediate Removal of Cover is Permitted
- Oil-Resistant Gasket

Application

Designed to offer protection for oil-tight pushbuttons, switches, and pilot lights from dust, water, dirt and oil.

Finish

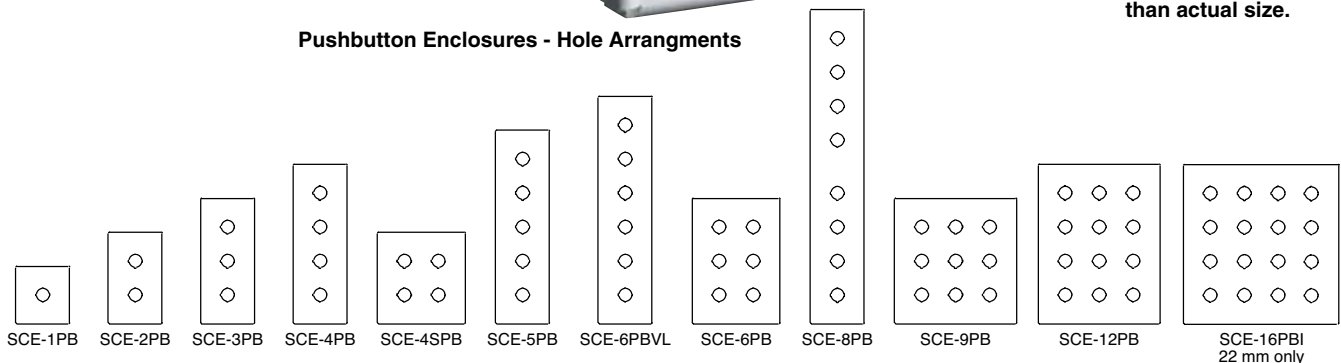
ANSI-61 gray powder over phosphatized surfaces.
IS2 industry

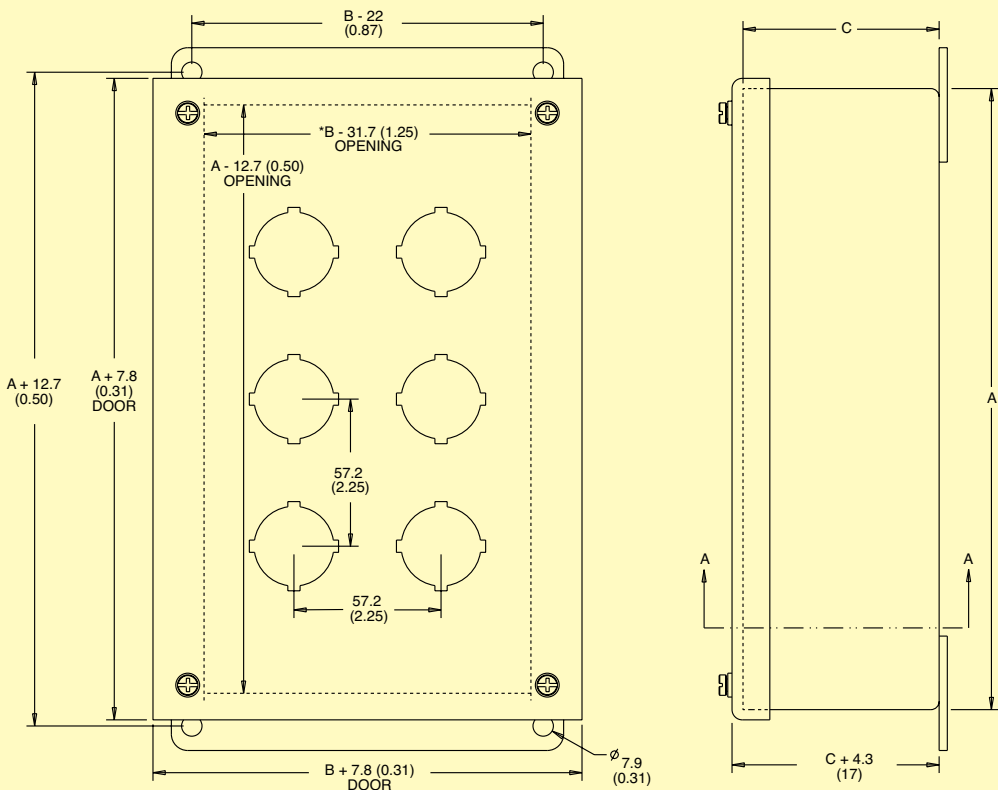
Industry Standards-IS2

NEMA Type 4, 12 and 13
UL Listed Type 4 and 12
CSA Type 4 and 12
IEC 60529 IP 66

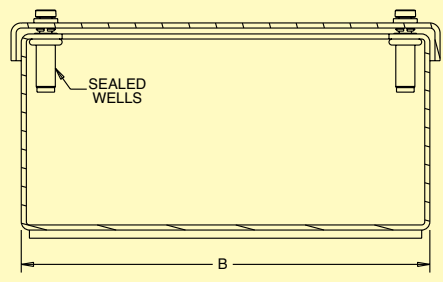


Pushbutton Enclosures - Hole Arrangements

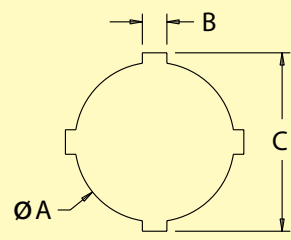




NOTE:
*B - 12.7 (0.50) ONE COLUMN OF PUSHBUTTONS



SECTION A-A



STANDARD 4-WAY

ø = diameter
Dimensions: mm (inch)

Hole Size	A	B	C
22 mm	22.5 (0.89)	4.8 (0.19)	34.7 (1.36)
30 mm	30.5 (1.22)	3.2 (0.13)	24.7 (0.97)

To Order Visit omega.com/sce_pb for Pricing and Details

MODEL NO.	DESCRIPTION	HEIGHT (inch) (A)	WIDTH (inch) (B)	DEPTH (inch) (C)
SCE-1PB	Type 12 30.5 mm pushbutton enclosures	3.50	3.25	2.75
SCE-2PB	Type 12 30.5 mm pushbutton enclosures	5.75	3.25	2.75
SCE-3PB	Type 12 30.5 mm pushbutton enclosures	8.00	8.00	2.75
SCE-4PB	Type 12 30.5 mm pushbutton enclosures	10.25	3.25	2.75
SCE-4SPB	Type 12 30.5 mm pushbutton enclosures	7.25	6.25	3.00
SCE-5PB	Type 12 30.5 mm pushbutton enclosures	12.50	3.25	2.75
SCE-6PB	Type 12 30.5 mm pushbutton enclosures	9.50	6.25	3.00
SCE-6PBVL	Type 12 30.5 mm pushbutton enclosures	14.75	3.25	2.75
SCE-8PB	Type 12 30.5 mm pushbutton enclosures	20.25	3.25	2.75
SCE-9PB	Type 12 30.5 mm pushbutton enclosures	9.50	8.50	3.00
SCE-12PB	Type 12 30.5 mm pushbutton enclosures	11.75	8.50	3.00

For 22 mm holes add "I" to model number. Ex: SCE-1PBI, no additional cost.
Ordering Examples: SCE-1PB, Type 4, 30.5 mm, pushbutton enclosure, 3.50 H x 3.25 W x 2.75" D.
 SCE-4PB, Type 4, 30.5 mm pushbutton enclosure, 10.25 H x 3.25 W x 2.75" D.