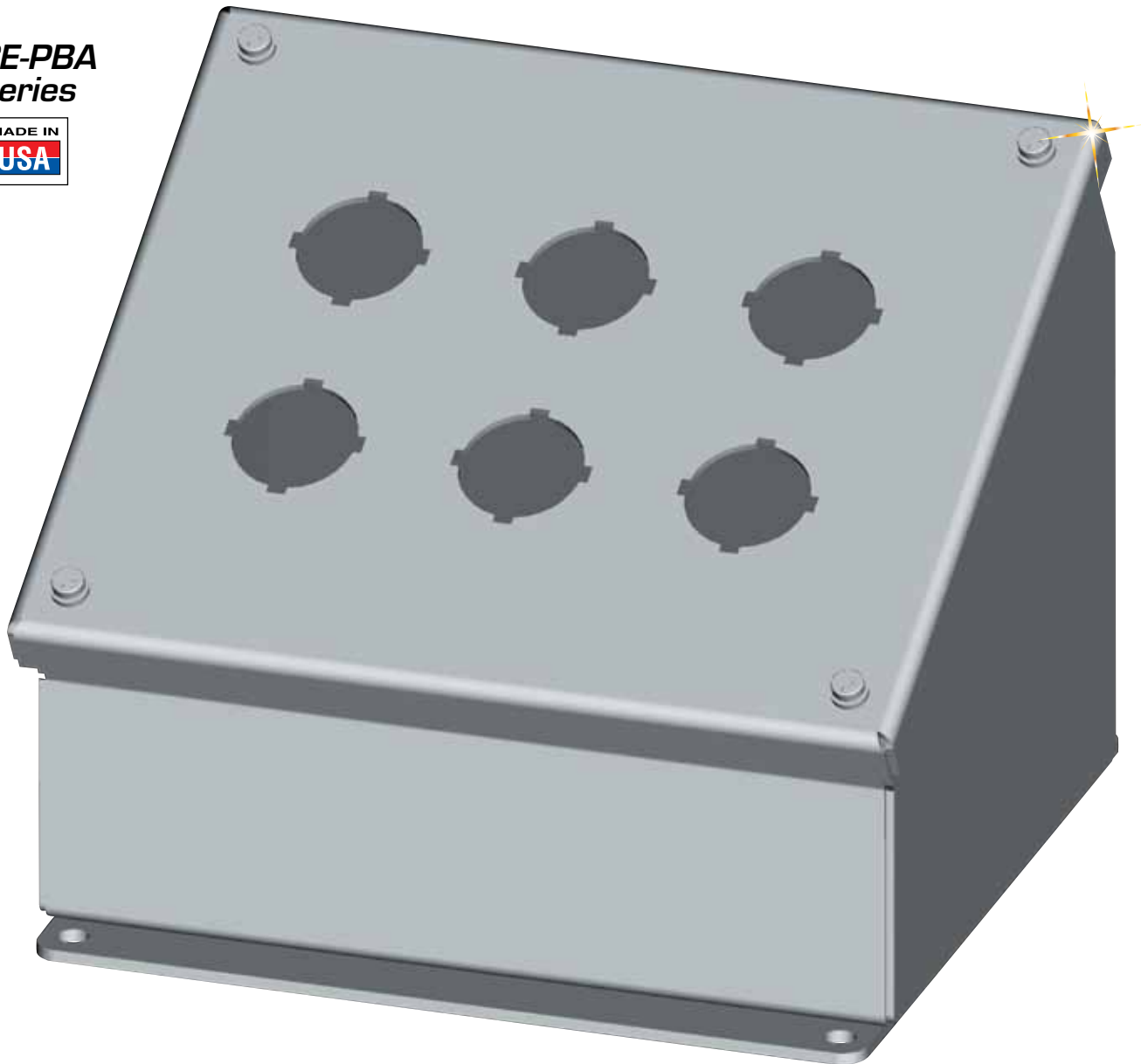




# NEMA TYPE 4 22.5 AND 30.5 mm SLOPING FRONT PUSHBUTTON ENCLOSURES

**SCE-PBA  
Series**



- 0.075" Carbon Steel
- Continuously Welded Seams
- Captivated Cover Screws Thread Into Sealed Wells
- 4-Way Pushbutton Holes Accept All Brands of Oil-Tight Pushbuttons, Switches and Pilot Lights
- Immediate Removal of Cover is Permitted
- Oil-Resistant Gasket

SCE-6PBA shown smaller than actual size.

### Application

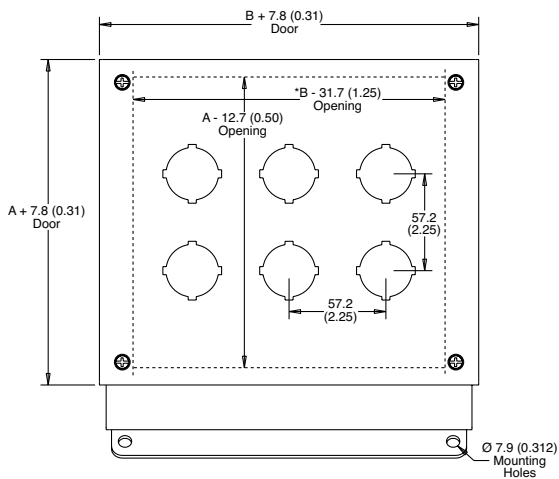
Designed to offer protection for all standard brands of oil-tight pushbuttons, switches, and pilot lights where slanted surfaces are desired. It offers protection from dust, dirt, oil and water.

### Finish

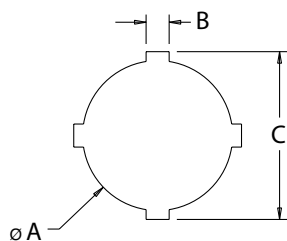
ANSI-61 gray powder coating inside and out over phosphatized surfaces.

### Industry Standards-IS2

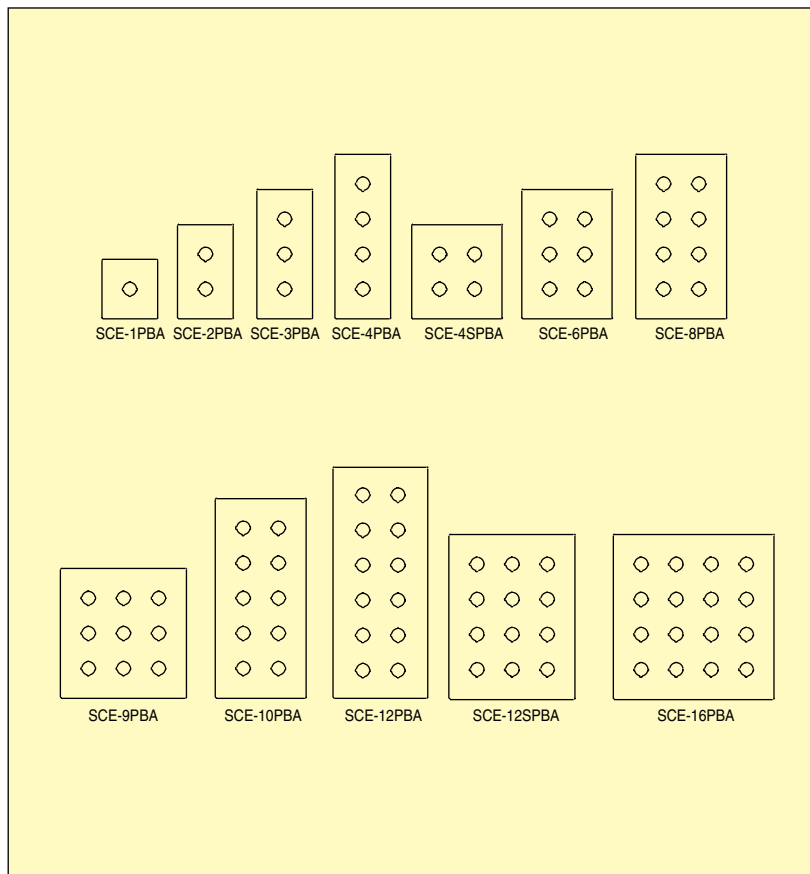
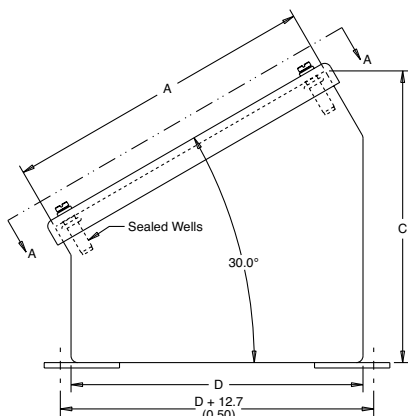
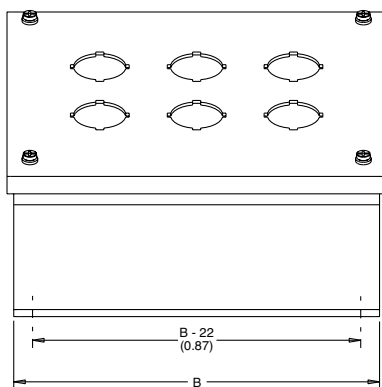
NEMA Type 4, 12 and 13  
UL Listed Type 4 and 12  
CSA Type 4 and 12  
IEC 60529 IP 66



\*B - 12.7 (0.50) one column of pushbuttons



Standard 4-Way



Dimensions: mm (inch)

Hole Size	A	B	C
22 mm	22.5 (0.89)	4.8 (0.19)	34.7 (1.36)
30 mm	30.5 (1.22)	3.2 (0.13)	24.7 (0.97)

**To Order Visit [omega.com/sce\\_pba](http://omega.com/sce_pba) for Pricing and Details**

**TYPE 12 SLOPING FRONT 30.5 mm PUSHBUTTON ENCLOSURES**

MODEL NO.	HEIGHT (inch) (A)	WIDTH (inch) (B)	DEPTH (inch) (C)	DEPTH (inch) (D)
SCE-1PBA	3.50	3.25	4.84	3.53
SCE-2PBA	3.50	5.50	4.84	3.53
SCE-3PBA	3.50	7.75	4.84	3.53
SCE-4PBA	3.50	10.00	4.84	3.53
SCE-4SPBA	7.25	6.25	6.75	6.78
SCE-6PBA	7.25	8.50	6.75	6.78
SCE-8PBA	7.25	10.75	6.75	6.78
SCE-9PBA	9.50	8.50	7.88	8.73
SCE-10PBA	7.25	13.00	6.75	6.78
SCE-12PBA	7.25	15.25	6.75	6.78
SCE-12SPBA	11.75	8.50	9.00	10.69
SCE-16PBA	11.75	10.75	9.00	10.69

For 22 mm hole add "I" to model number. Ex. SCE-1PBAI, no additional cost.

Ordering Examples: SCE-1PBA Type 4 sloping front, 30.5 mm pushbutton enclosure.

SCE-6PBA, Type 4 sloping front, 6 pushbutton enclosure.