

NEMA TYPE 3R TWO-DOOR WALL-MOUNTED ENCLOSURES



SCE-244208WFLP shown smaller than actual size.

SCE Wall 2-Door Series



- 0.075" Carbon Steel
- Seams Continuously Welded and Ground Smooth, No Holes or Knockouts
- Flange Trough Collar Around All Sides of Door Opening
- Gasketed Overlapping Doors Eliminate Need for Center Post
- Black Zinc Die Cast Keylocking/ Padlocking Handle
- 3-Point Latching Mechanism
- Latch Rods Have Rollers for Easier Door Closing
- Concealed Hinge
- Removable and Interchangeable Doors
- Removable Print Pocket Provided On Door with 3-Point Latch
- Oil Resistant Door Gasket
- Collar Studs for Mounting Optional Panel
- Ground Stud on Door
- Mounting Hardware, Sealing Washer and Hole Plug Included
- Drip Shield Required for NEMA 3R Rating

Application

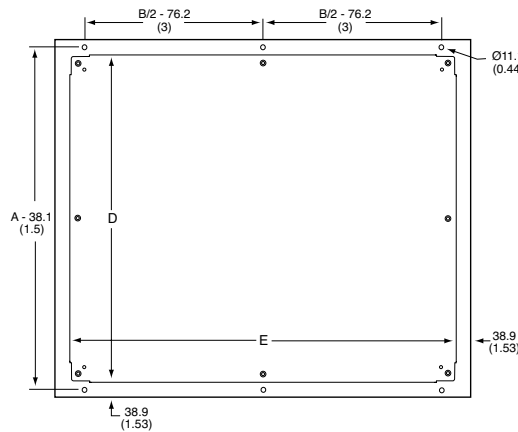
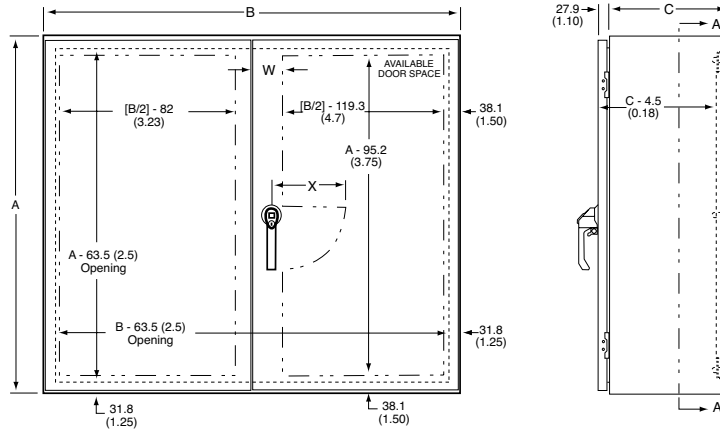
Designed to house electrical and electronic controls, instruments and components. Provides protection from dust, oil and water.

Finish

ANSI-61 gray powder coating inside and out over phosphatized surfaces. Optional panels are powder coated white. Note: Optional mounting kits (SCE-ELMFK6 or SCE-ELMFK6SS)

Industry Standards-IS3

NEMA Type-IS3, 3R, 12 and 13
 UL Listed Type 3R and 13
 CSA Type 3R and 13
 IEC 60529 IP 66



HANDLE NOTES
 Enclosures <= 1067 (42.00) height
 X = 140 (5.50) and use 127 (5.00) padlocking handle with coin-proof.
 Enclosures > 1067 (42) height
 X = 6.75 [171] and uses 178 (7.00) padlocking handle with coin-proof.
 W = 92.2 (3.63) with 177.8 (7.00) handle
 W = 76.2 (3.00) with 127 (5.00) handle

Dimensions: mm (inch)

To Order

TYPE 3R TWO-DOOR ENCLOSURES

ENCLOSURES (inch)				SUB-PANEL (inch)		
MODEL NO.	HEIGHT (A)	WIDTH (B)	DEPTH (C)	MODEL NO.	HEIGHT (D)	WIDTH (E)
SCE-244208WFLP	24.00	42.00	8.00	SCE-42P24	39.00	21.00
SCE-244808WFLP	24.00	48.00	8.00	SCE-48P24	45.00	21.00
SCE-304210WFLP	30.00	42.00	10.00	SCE-42P30	39.00	27.00
SCE-304810WFLP	30.00	48.00	10.00	SCE-48P30	45.00	27.00
SCE-306010WFLP	30.00	60.00	10.00	SCE-60P30	57.00	27.00
SCE-364212WFLP	36.00	42.00	12.00	SCE-42P36	39.00	33.00
SCE-364216WFLP	36.00	42.00	16.00	SCE-42P36	39.00	33.00
SCE-364810WFLP	36.00	48.00	10.00	SCE-48P36	45.00	33.00
SCE-364812WFLP	36.00	48.00	12.00	SCE-48P36	45.00	33.00
SCE-364816WFLP	36.00	48.00	16.00	SCE-48P36	45.00	33.00
SCE-366012WFLP	36.00	60.00	12.00	SCE-60P36	57.00	33.00
SCE-366016WFLP	36.00	60.00	16.00	SCE-60P36	57.00	33.00
SCE-424212WFLP	42.00	42.00	12.00	SCE-42P42	39.00	39.00
SCE-424216WFLP	42.00	42.00	16.00	SCE-42P42	39.00	39.00
SCE-424812WFLP	42.00	48.00	12.00	SCE-48P42	45.00	39.00
SCE-424816WFLP	42.00	48.00	16.00	SCE-48P42	45.00	39.00
SCE-426012WFALP	42.00	60.00	12.00	SCE-60BFP42	56.00	38.00
SCE-426016WFALP	42.00	60.00	16.00	SCE-60BFP42	56.00	38.00
SCE-484812WFLP	48.00	48.00	12.00	SCE-48P48	44.00	44.00
SCE-484816WFLP	48.00	48.00	16.00	SCE-48P48	44.00	44.00

Ordering Examples: SCE-244208WFLP Type 3R, two-door enclosure.

SCE-364812WFLP Type 3R, two-door enclosure, 36 x 48 x 12" D with SCE-48P36 sub-panel.