

NORGREN EXCELON® LOCKOUT VALVES

T72T Series



- In-Line or Modular Installation
- Valves can be Locked in the Closed Position Only
- Excelon® 3-Port/2-Position Lockout Valves Help Conform to OSHA Lockout Regulations in USA Market

SPECIFICATIONS

Fluid: Compressed air

Maximum Pressure: 17 bar (250 psig)

Operating temperature*: -34 to 65°C (-30 to 150°F)

CV Factor from IN to OUT Ports:

¼" Ports: 4.0

⅜" Ports: 8.0

½" Ports: 8.1

¾" Ports: 7.7

CV Factor from OUT to Exhaust Ports on 3-Port/2-Position Valves: 0.2

Exhaust Port Threads on T72T and T73T Models: 10-32

Exhaust Port Threads on T74T Models:

½ PTF with PTF main ports, ⅜" ISO Rc with ISO G and ISO Rc main ports

Hole Diameter in Slide for Padlock 72 and 73: 8 mm (⅝")

Hole Diameter in Slide for Padlock 74: 7.5 mm (0.29")

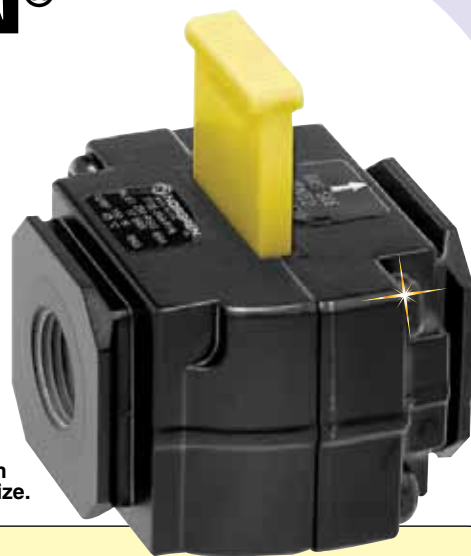
MATERIALS

Body: Zinc

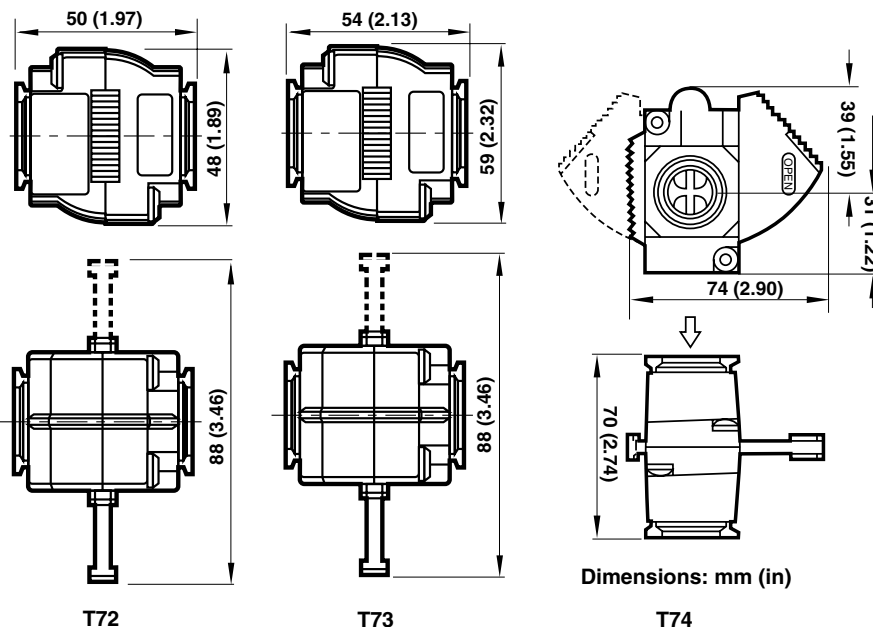
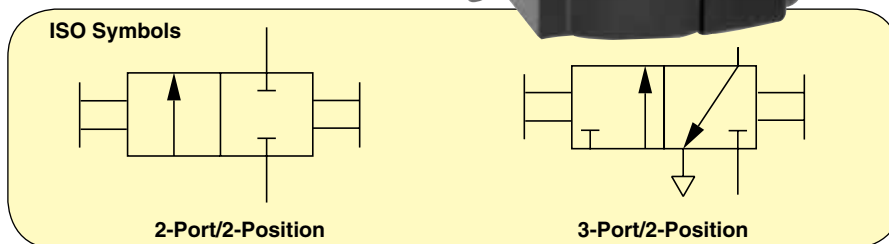
Slide: Acetal plastic

Elastomers: Nitrile

* Air supply must be dry enough to avoid ice formation at temperatures below 2°C (35°F).



T72T-2AA-P1N shown smaller than actual size.



To Order

MODEL NO.	PORT SIZE (in)	CONFIGURATION	WEIGHT kg (lb)
T72T-2AA-P1N	¼	3-port/2-position threaded exhaust port	0.79 (0.36)
T72T-3AA-P1N	⅜	3-port/2-position threaded exhaust port	0.86 (0.39)
T73T-2AA-P1N	¼	3-port/2-position threaded exhaust port	0.7 (0.3)
T73T-3AA-P1N	⅜	3-port/2-position threaded exhaust port	0.7 (0.3)
T73T-4AA-P1N	½	3-port/2-position threaded exhaust port	0.7 (0.3)
T74T-3AA-P1N	⅜	3-port/2-position threaded exhaust port	0.68 (0.32)
T74T-4AA-P1N	½	3-port/2-position threaded exhaust port	0.65 (0.30)

Notes: All of the above are with PTF threads.

Ordering Example: T72T-2AA-P1N, lockout valve, ¼" PTF ports, 3-port/2-position valve with #10-32 threaded exhaust port.
T73T-3AA-P1N, lockout valve, ⅜" PTF ports, 3-port/2-position valve with #10-32 threaded exhaust port.