

NORGREN EXCELON® PRESSURE RELIEF VALVES

V72G Series



- In-Line or Modular Installation
- Push to Lock Adjusting Knob with Tamper Resistant Accessory
- Helps Protect Air Operated Equipment from Over Pressure by Retarding Excessive Pressure Build Up

SPECIFICATIONS

Fluid: Compressed air

Maximum Pressure: 20 bar (300 psig)

Operating Temperature*:
-34 to 65°C (-30 to 150°F)

MATERIALS

V72:

Gage Port: 1/8" PTF with PTF main ports; 1/8" ISO Rc with ISO G main ports

Exhaust Port: 1/4" PTF with PTF main ports; 1/4" ISO Rc with ISO G main ports



V72G-2AK-NMG shown smaller than actual size.

V72G:

Body: Zinc
Bonnet: Acetal
Elastomers: Neoprene
Bottom Plug: Acetal



V74G-3AK-NMG shown smaller than actual size.

V74G:

Body and Bonnet: Aluminum
Valve: Aluminum and nitrile
Elastomers: Nitrile
Bottom Plug: Acetal

* Air supply must be dry enough to avoid ice formation at temperatures below 2°C (35°F).

OPTIONS SELECTOR

V7□G-□□□-N□□

Series	Substitute
72	2
74	4

Port size	Substitute
1/4" (72)	2
3/8" (72, 74)	3
1/2" (74)	4
3/4" (74)	6

Threads	Substitute
PTF	A
ISO G parallel	G

Gage	Substitute
With	G
Without	N

Relief pressure adjustment range*	Substitute
0.3 to 4 bar (5 to 60 psig)	F
0.3 to 10 bar (5 to 150 psig)	M
0.7 to 17 bar (10 to 250 psig)	S

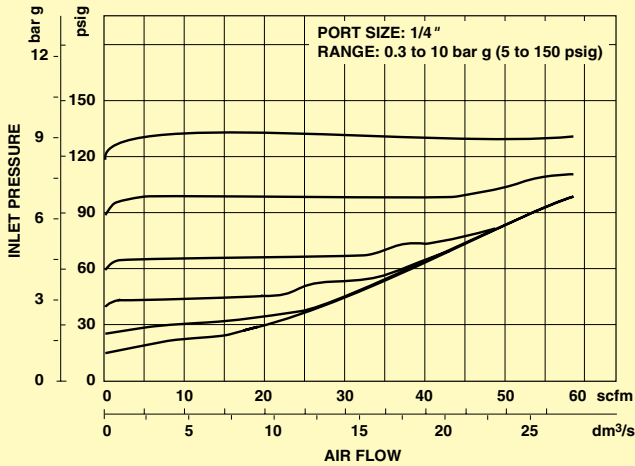
Adjustment	Substitute
Knob	K
T-bar	T

* Relief valve can be adjusted to pressures in excess of, and less than, those specified. Do not use these units to control pressures outside of the specified ranges.

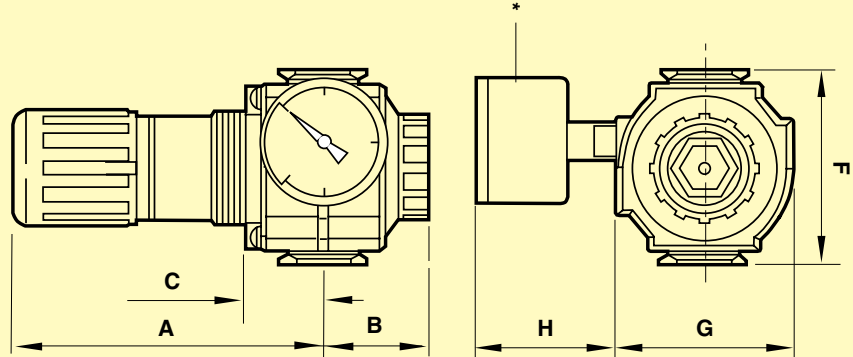
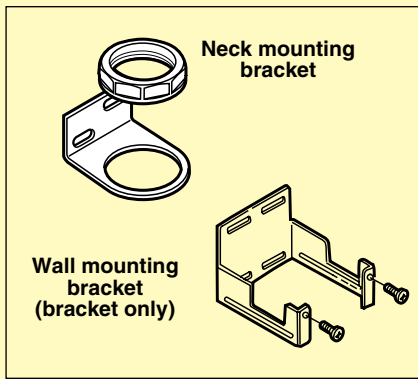
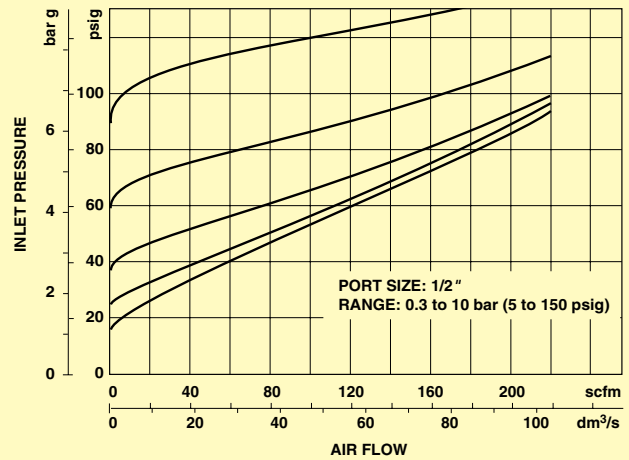
** Units with 250 psig relief pressure range are available only with the T-bar adjustment; therefore substitute T at the 7th position and S at the 9th position.

TYPICAL PERFORMANCE CHARACTERISTICS

V72 RELIEF CHARACTERISTICS



V74 RELIEF CHARACTERISTICS



STANDARD DIMENSIONS (in)

SERIES	A	B	C	F	G	H	PANEL DIA.	PANEL DEPTH
72	2.87	0.98	1.02	1.97	1.89	1.38	1.57	0 to 0.2
74	5.00	1.69	1.22	3.15	2.91	2.20	2.05	0.08 to 0.2

METRIC DIMENSIONS (mm)

72	28.3	26.4	26.4	27.4	27.3	26.8	27.0	0 to 5
74	30.4	27.1	26.6	28.6	28.3	27.6	27.5	2 to 5

To Order

MODEL NO.	PORT SIZE (in)	PRESSURE RANGE
V72G-2AK-NMG	1/4	0.3 to 10 bar (5 to 150 psig)
V72G-3AK-NMG	3/8	0.3 to 10 bar (5 to 150 psig)
V74G-3AK-NMG	3/8	0.3 to 10 bar (5 to 150 psig)
V74G-4AK-NMG	1/2	0.3 to 10 bar (5 to 150 psig)
V72G-2AK-NFG	1/4	0.3 to 4 bar (5 to 60 psig)

ACCESSORIES

MODEL NO.	DESCRIPTION
OM-AIR-4224-50	Wall mounting bracket for V72G model
OM-AIR-4324-50	Wall mounting bracket for V74G model
OM-AIR-74316-50	Neck mounting bracket for V72G model
OM-AIR-4368-51	Neck mounting bracket for V74G model

Notes: For Excelon® 73 combinations use V74G

Ordering Examples: V72G-2AK-NMG, pressure relief valve with 1/4" port, PTF threads, 5 to 150 psig adjustment range, with pressure gage. V74G-3AK-NMG, pressure relief valve with 3/8" port, PTF threads, 5 to 150 psig adjustment range, with pressure gage.