

# RS485 COM1 or COM2 Interface for PCs



## CIO-COM485



- RS485 Serial Interface
- COM1, COM2 or Any Other COM Address
- Software Enables TRx and Rx
- Up to 56K Baud
- Access to IR Levels 2-7

CIO-COM485 shown smaller than actual size.

The CIO-COM485 adds a single EIA compliant RS485 port to your computer. RS485 ports support longer transmission lines than the more common RS232 and have the ability to switch between transmit and receive signals at the connector.

The CIO-COM485 serial interface is designed around the standard serial communications chip used in PC serial I/O ports: COM1 and COM2.

### RS485 SETUP

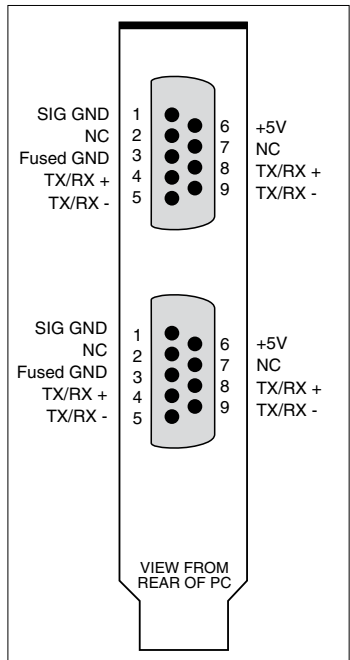
The CIO-COM485 may be set up as COM1 or COM2 by choosing the appropriate base I/O address and interrupt.

The register which controls transceiver enable/disable is located at the board's Base+7 address. Writing to Base+7 controls the transmitters while reading from the register reads the current status.

### DB9 CONNECTORS

The CIO-COM485 is equipped with two DB9 connectors for RS485 9 pin connectors and cables.

In addition, in compliance with RS485, pins 5 & 9 are tied together as are pins 4 and 8.



D0	D1	D2	D3	D4	D5	D6	D7
RCVR	XMTR	x	x	x	x	x	x
<b>D0</b>	<b>D1</b>	<b>Reciever</b>		<b>Transmitter</b>			
0	0	Disabled		Disabled			
0	1	Disabled		Enabled			
1	0	Enabled		Disabled			
1	1	Enabled		Enabled			



OMEGACARE<sup>SM</sup> extended warranty program is available for models shown on this page. Ask your sales representative for full details when placing an order. OMEGACARE<sup>SM</sup> covers parts, labor and equivalent loaners.

To Order	
Model No.	Description
CIO-COM485	RS485 interface card

Ordering Example: CIO-COM485 RS485 interface card for PC and OCW-1 OMEGACARE<sup>SM</sup> 1-year extended warranty (adds 1 year to standard 3-year warranty).