

General Purpose Limited Distance Modem



 SERIAL I/O



LDM30 Series



- ✓ DC to 57,600 Baud
- ✓ Optical Isolation
- ✓ Surge Protectors
- ✓ LED Diagnostic Indicators
- ✓ Operation to 3 Miles (5 KM) at 9600 Baud, 1AMile (1.7 KM) at 19,200, 0.5 Miles (0.8 KM) at 57,600
- ✓ Four-Wire Full Duplex, Two-Wire Simplex
- ✓ Self-Powered or Host-Powered
- ✓ Selection of Connectors
- ✓ Wide Operating Temperature Range, 0 to 70°C

The LDM30 Series of products is designed to allow video display terminals (VDTs) and other RS-232 devices to be connected over distances sufficient to cover any industrial or institutional complex of buildings. These modems feature a rugged aluminum enclosure small enough to mount on the back panel of VDT units, saving valuable desk and floor space.

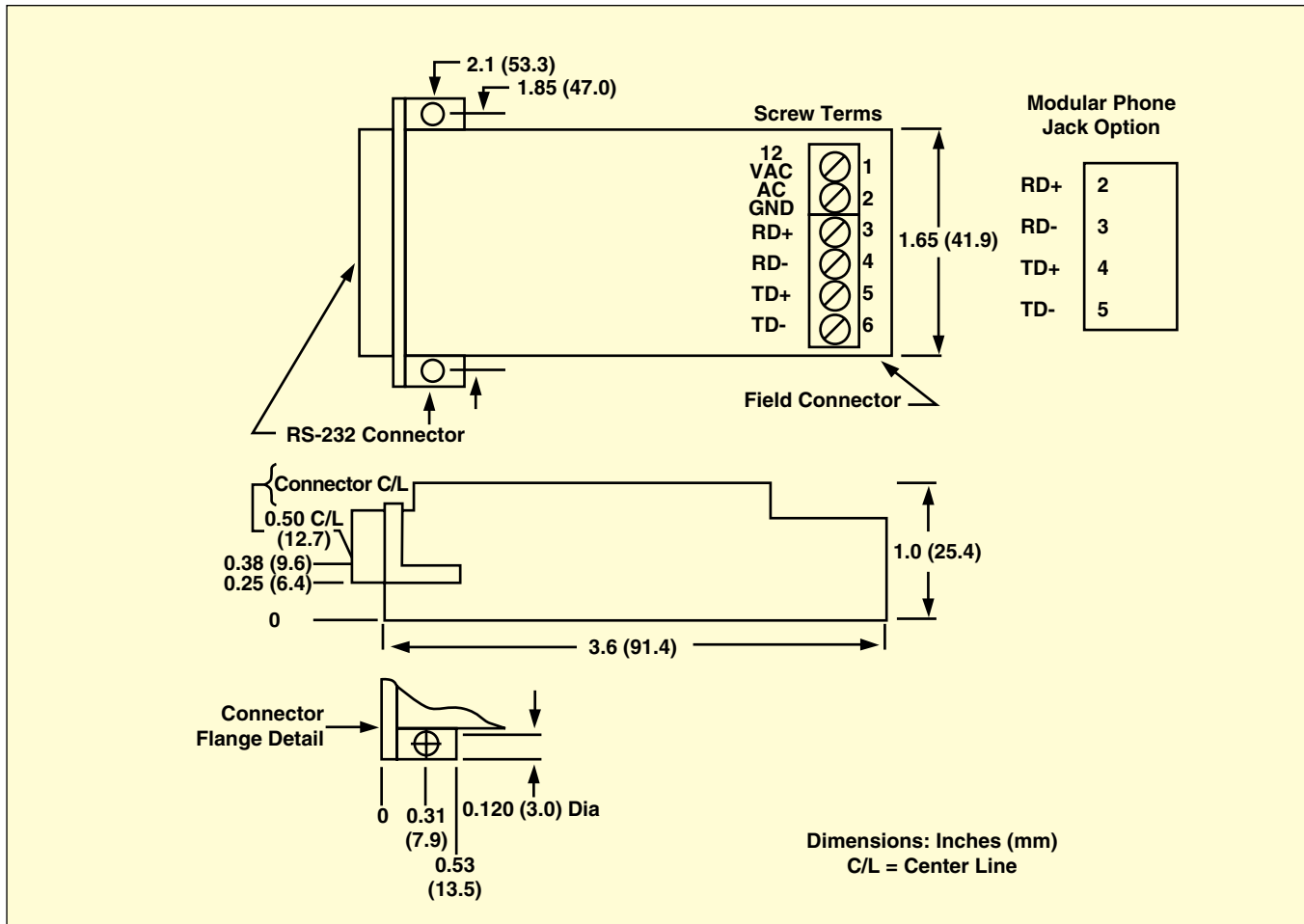
The LDM30 Series is designed for full-duplex, asynchronous operation over two, DC-continuity, on-loaded, twisted-wire pairs. Through special high-speed optically-coupled circuits they may communicate at data rates up to 57,600 baud.

A self-powered model and a host-powered model are available. The self-powered unit uses 12 Vac from a wall-mounted transformer while the host-powered unit takes \pm DC power from pins 9 and 10 of the RS-232 connector. The modem circuits—and, consequently, the host device—are protected from electrical transients due to lightning strikes or operation of heavy industrial equipment.

Specifications

Model	LDM30						
Baud Rate Range	0 – 57.6K						
Baud Rate	57.6K	38.4K	19.2K	9.6K	4.8K	2.4K	1.2K – 0
Distance (miles)	0.5	0.75	1.0	3	5	7	12
Distance (km)	0.8	1.25	1.7	5	8.3	11.7	20
Common Mode Isolation	500V Surge, 300V Continuous						
Differential Mode Surge Protection (3 devices)	ANSI/IEEE C37.90.1-1989						
Channel Lines ⁽¹⁾	TD, RD						
Control Lines ⁽¹⁾	RTS, CTS, DTR, DSR, RLSD						
Modes	Asynchronous 4-wire full duplex, 2-wire simplex						

Notes: (1) TD = Transmit Data, RD = Receive Data, RTS = Request To Send, CTS = Clear To Send, DTR = Data Terminal Ready, DSR = Data Set Ready, RLSD = Received Line Signal Detect.



Each device features a convenient Data-Communication Equipment (DCE) to Data-Terminal Equipment (DTE) switch which reverses pins 2 and 3 of the RS-232 connector. For installation and troubleshooting, each unit has diagnostic Light-Emitting Diodes (LEDs) on the transmit and receive lines.

The RS-232 connector may be ordered as a male or female 25-pin connector. Field connection is made through a modern, solderless, screw-termination assembly. Alternatively, a convenient four-wire modular phone jack is available.

Model	LDM30
Power: AC operation ⁽²⁾ DC operation	12 Vac at 92 mA ±9 Vdc to ±15 Vdc, 35 mA
Operating Environment	0 to 70°C, 0 to 95% relative humidity, noncondensing
Dimensions	3.6 x 2.1 x 1" (91.4 x 53.3 x 25.4 mm)
Weight AC Transformer	100 g (3.5 oz) maximum 311.8 g (11.0 oz) maximum
MTBF⁽³⁾	>150,000 hrs

Notes: (2) 120 Vac and 220 Vac power transformers are available. (3) Ground-benign environmental conditions (no salt atmosphere, <50°C ambient temperature).

To Order			
Model Number	RS232 Connector	Field Connector	Power Source
LDM30-P	25 Pin male	Screw termination	Host-powered
LDM30-S	25 Pin female	Screw termination	Host-powered
LDM30-PT	25 Pin male	Screw termination	Transformer
LDM30-ST	25 Pin female	Screw termination	Transformer

Comes complete with operator's manual. Transformer powered units also include 120 Vac wall mount transformer.

Ordering Example: LDM30-ST converter and OCW-1, OMEGACARESM extends standard 1-year warranty to a total of 2 years.



OMEGACARESM extended warranty program is available for models shown on this page. Ask your sales representative for full details when placing an order. OMEGACARESM covers parts, labor and equivalent loaners.