



High Temperature Data Logger with USB Interface

OM-EL-USB-1-PRO

\$150



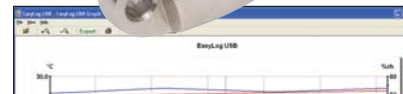
OM-EL-USB-1-PRO, \$150, shown smaller than actual size

- ✓ -40 to 125°C (-40 to 257°F) Measurement Range
- ✓ 316 SS Case - IP67 (NEMA 4X) Rated
- ✓ USB Interface for Easy Setup and Data Download
- ✓ Immediate or Delayed Start Logging
- ✓ Includes Replaceable High Capacity Lithium Battery and Windows Control Software

The OM-EL-USB-1-PRO data logger measures and stores up to 32,510 temperature readings over a -40 to 125°C (-40 to 257°F) temperature range. The 316 SS case is corrosion, impact and water resistant to IP67 (NEMA 4X) standards. The unit is powered by a 2/3 AA lithium battery which allows logging for up to 3 years.

The user can easily set up the data logger and download the stored data by plugging the module straight into a PC's USB port and running the easy-to-use Windows software.

Software selectable setup parameters include logging rate (1 sec, 10 sec, 1 min, 5 min, 30 min, 1 hr, 6 hr, 12 hr), start-date/time, and desired temperature units (°C or °F). Data can then be graphed, printed and exported to other applications such as Excel. The data logger is supplied complete with a high capacity long-life lithium battery.



Windows Software setup screen

This product is no longer available please see **OM-EL-USB-1-PRO-A** as a direct substitute

Windows Software shows data in graphical format



Specifications

Temperature Measurement Range:

-40 to 125°C (-40 to 257°F)

Resolution: 0.1°C (0.2°F)

Accuracy (0 to 40°C):

±0.2°C (±0.4°F)

typical; ±0.5°C (±1.0°F) max

Temperature Units: °C or °F

selectable in software

Memory: 32,510 readings

Logging Interval: 1 sec, 10 sec,

1 min, 5 min, 30 min, 1 hr, 6 hr,

12 hr (selectable in software)

Start Date/Time:

Selectable in software

Operating Temperature Range:

-40 to 125°C (-40 to 257°F)

Software: Windows

2000/XP/VISTA (32-bit)/7 (32-bit)

Power: 2/3 AA 3.6 V lithium battery (included)

Battery Life: 1 yr min at -20°C

and 10 sec logging interval,

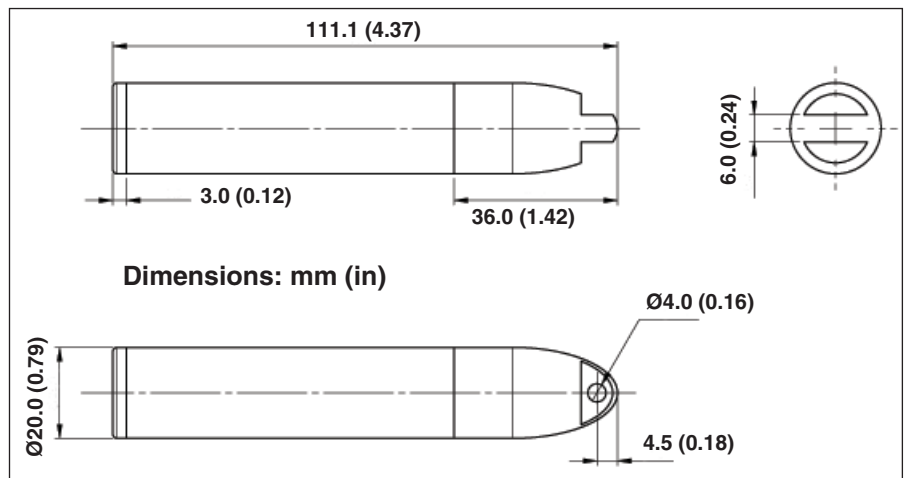
2 yrs typical at 80°C and 10

second logging interval, 3 yrs max

Weight: 128 g (4.5 oz)

Dimensions: See dimensional

drawing



AVAILABLE FOR FAST DELIVERY!

To Order (Specify Model Number)		
Model No.	Price	Description
OM-EL-USB-1-PRO	\$150	High Temperature data logger with USB interface
OM-EL-USB-1-PRO-BATT	15	Replacement 2/3 AA 3.6 V lithium battery

Each data logger is supplied with Windows software on CD-ROM, USB cable, and 2/3 AA 3.6 V lithium battery.

Ordering Example: OM-EL-USB-1-PRO high temperature data logger with USB interface and OMEGACARESM 1-year extended warranty for OM-EL-USB-1-PRO (adds 1-year to standard 1-year warranty), \$150 + 25 = \$175.



UNITED STATES

www.omega.com
1-800-TC-OMEGA
Stamford, CT.

CANADA

www.omega.ca
Laval(Quebec)
1-800-TC-OMEGA

GERMANY

www.omega.de
Deckenpfronn, Germany
0800-8266342

UNITED KINGDOM

www.omega.co.uk
Manchester, England
0800-488-488

FRANCE

www.omega.fr
Guyancourt, France
088-466-342

CZECH REPUBLIC

www.omegaeng.cz
Karviná, Czech Republic
596-311-899

BENELUX

www.omega.nl
Amstelveen, NL
0800-099-33-44



More than 100,000 Products Available!

• Temperature

Calibrators, Connectors, General Test and Measurement Instruments, Glass Bulb Thermometers, Handheld Instruments for Temperature Measurement, Ice Point References, Indicating Labels, Crayons, Cements and Lacquers, Infrared Temperature Measurement Instruments, Recorders Relative Humidity Measurement Instruments, RTD Probes, Elements and Assemblies, Temperature & Process Meters, Timers and Counters, Temperature and Process Controllers and Power Switching Devices, Thermistor Elements, Probes and Assemblies, Thermocouples Thermowells and Head and Well Assemblies, Transmitters, Wire

• Flow and Level

Air Velocity Indicators, Doppler Flowmeters, Level Measurement, Magnetic Flowmeters, Mass Flowmeters, Pitot Tubes, Pumps, Rotameters, Turbine and Paddle Wheel Flowmeters, Ultrasonic Flowmeters, Valves, Variable Area Flowmeters, Vortex Shedding Flowmeters

• pH and Conductivity

Conductivity Instrumentation, Dissolved Oxygen Instrumentation, Environmental Instrumentation, pH Electrodes and Instruments, Water and Soil Analysis Instrumentation

• Data Acquisition

Auto-Dialers and Alarm Monitoring Systems, Communication Products and Converters, Data Acquisition and Analysis Software, Data Loggers Plug-in Cards, Signal Conditioners, USB, RS232, RS485 and Parallel Port Data Acquisition Systems, Wireless Transmitters and Receivers

• Pressure, Strain and Force

Displacement Transducers, Dynamic Measurement Force Sensors, Instrumentation for Pressure and Strain Measurements, Load Cells, Pressure Gauges, Pressure Reference Section, Pressure Switches, Pressure Transducers, Proximity Transducers, Regulators, Strain Gages, Torque Transducers, Valves

• Heaters

Band Heaters, Cartridge Heaters, Circulation Heaters, Comfort Heaters, Controllers, Meters and Switching Devices, Flexible Heaters, General Test and Measurement Instruments, Heater Hook-up Wire, Heating Cable Systems, Immersion Heaters, Process Air and Duct, Heaters, Radiant Heaters, Strip Heaters, Tubular Heaters