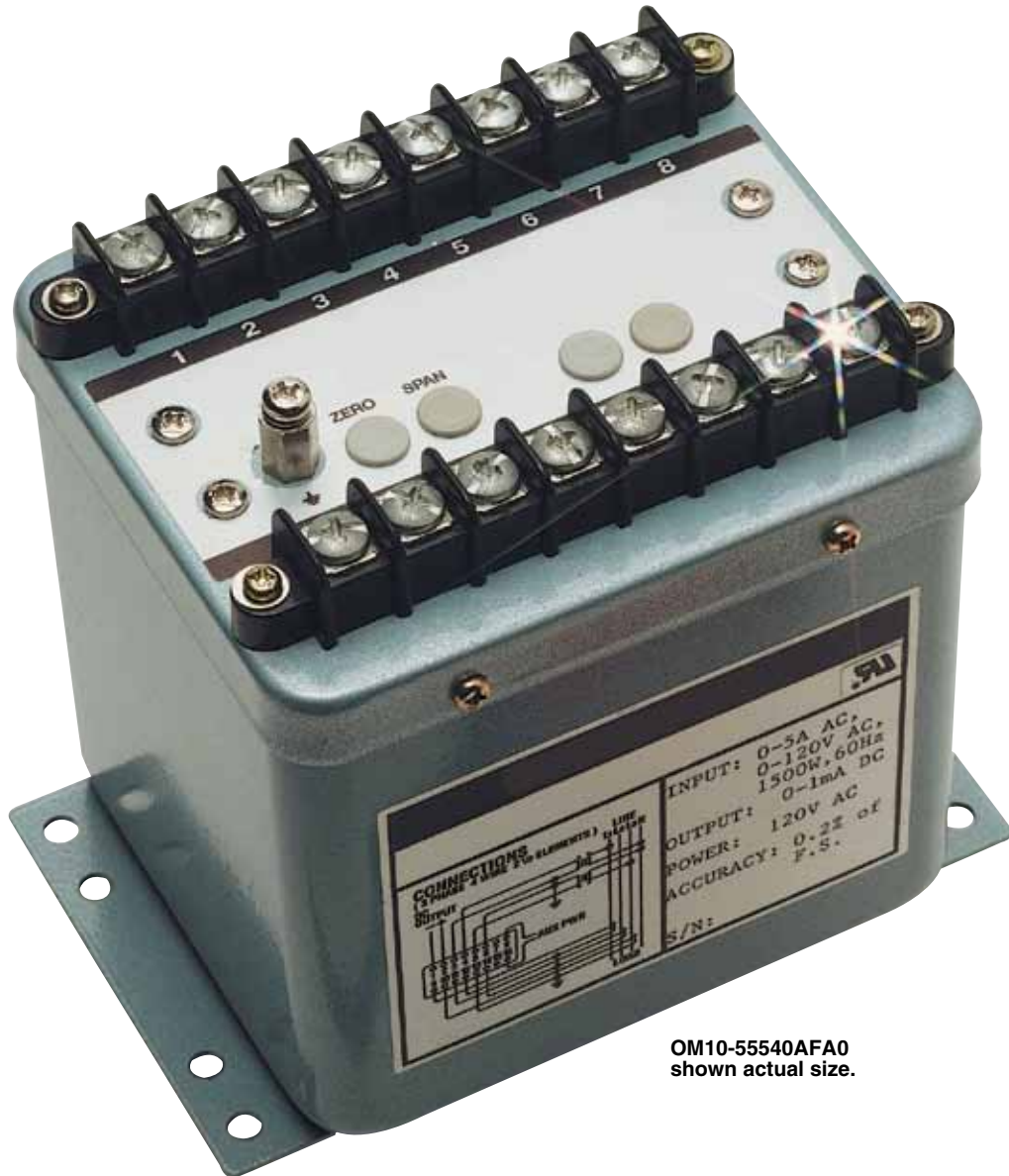


Watt Transducers

OM10 Series



OM10-55540AFA0
shown actual size.

- ✓ 0.2% Accuracy
- ✓ Isolated
- ✓ Models Available with 4 to 20 mA or 0 to 1 mA Outputs

OMEGAs OM10 Series watt transducers accept AC voltages and currents to produce a conditioned dc process signal output representing wattage. Single, dual, and three element models are available to accommodate a variety of wiring configurations. For larger input voltages and currents, the OM10 may also be used with OMEGAs voltage and current transformers.

Specifications

Accuracy: 0.2% of reading

Sustained Input Overrange:

Voltage, 120% continuous, 150% for 5 seconds; current, 200% continuous, 1000% for 5 seconds

Outputs: 0 to 1 mA DC: into 10 k Ω 10 Vdc compliance; 4 to 20 mA into 750 Ω max 15 Vdc compliance

Output Calibration:

120 Vac/5 A = 0 to 500 W/element;
240 Vac/5 A = 0 to 1000 W/element

Zero Adjust: \pm 5% min

Span Adjust: \pm 10% min

Response Time: <400 msec
0 to 99% of full scale

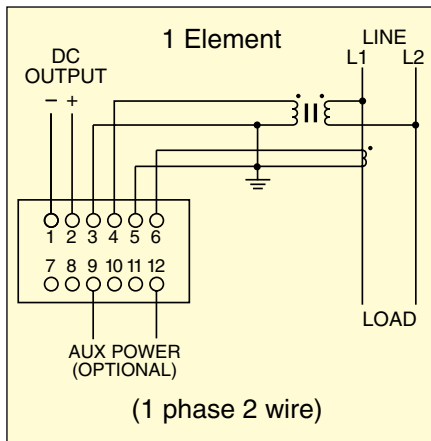
Power Consumption: 5 VA max

Isolation: Input to output:

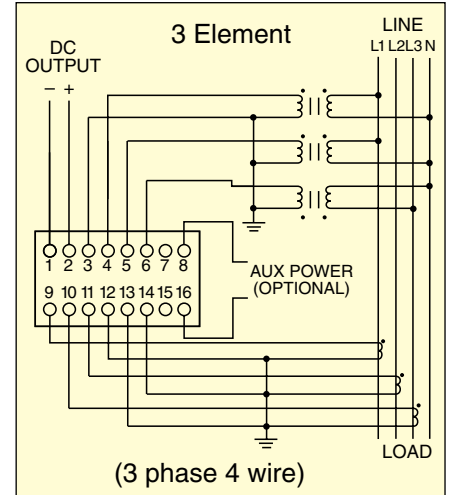
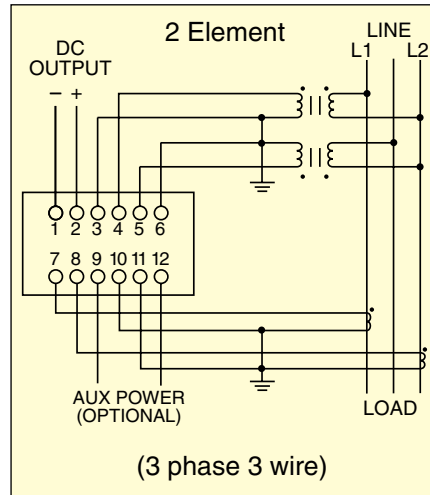
2500 Vac, 60 Hz, 1 min; input to power: 2500 Vac, 60 Hz, 1 min; input to case: 2500 Vac, 60 Hz, 1 min; power to output: 2000 Vac, 60 Hz, 1 min; power to case: 2000 Vac, 60 Hz, 1 min; output to case: 500 Vac, 60 Hz, 1 min

Dimensions:

119.8 H x 133 W x 95.7 mm D
(4.717 x 5.236 x 3.769")



Drawings show optional current and voltage transformers.



To Order

Model No.	Signal	Input Frequency	Input Output	Power Required
AC Watt (1 Element)				
OM10-51540AFA0	120 Vac/5 A	60 Hz	0 to 1 mA DC	Self powered
OM10-51580AFA0	240 Vac/5 A	60 Hz	0 to 1 mA DC	Self powered
OM10-51540AHD1	120 Vac/5 A	60 Hz	4 to 20 mA DC	120 Vac
OM10-51580AHD1	240 Vac/5 A	60 Hz	4 to 20 mA DC	120 Vac
OM10-51540AHD2	120 Vac/5 A	60 Hz	4 to 20 mA DC	240 Vac
OM10-51580AHD2	240 Vac/5 A	60 Hz	4 to 20 mA DC	240 Vac
AC Watt (2 Elements) For Delta Configuration or "Y" Configuration with No Neutral				
OM10-53540AFA0	120 Vac/5 A	60 Hz	0 to 1 mA DC	Self powered
OM10-53580AFA0	240 Vac/5 A	60 Hz	0 to 1 mA DC	Self powered
OM10-53540AHD1	120 Vac/5 A	60 Hz	4 to 20 mA DC	120 Vac
OM10-53580AHD1	240 Vac/5 A	60 Hz	4 to 20 mA DC	120 Vac
OM10-53540AHD2	120 Vac/5 A	60 Hz	4 to 20 mA DC	240 Vac
OM10-53580AHD2	240 Vac/5 A	60 Hz	4 to 20 mA DC	240 Vac
AC Watt (3 Elements) For 4-Wire "Y" Configuration				
OM10-55540AFA0	120 Vac/5 A	60 Hz	0 to 1 mA DC	Self powered
OM10-55580AFA0	240 Vac/5 A	60 Hz	0 to 1 mA DC	Self powered
OM10-55540AHD1	120 Vac/5 A	60 Hz	4 to 20 mA DC	120 Vac
OM10-55580AHD1	240 Vac/5 A	60 Hz	4 to 20 mA DC	120 Vac
OM10-55540AHD2	120 Vac/5 A	60 Hz	4 to 20 mA DC	240 Vac
OM10-55580AHD2	240 Vac/5 A	60 Hz	4 to 20 mA DC	240 Vac

* Consult engineering for 50 Hz and 400 Hz models.

Ordering Example: OM10-53540AFA0, 120 Vac/5 A 60 Hz transducer.