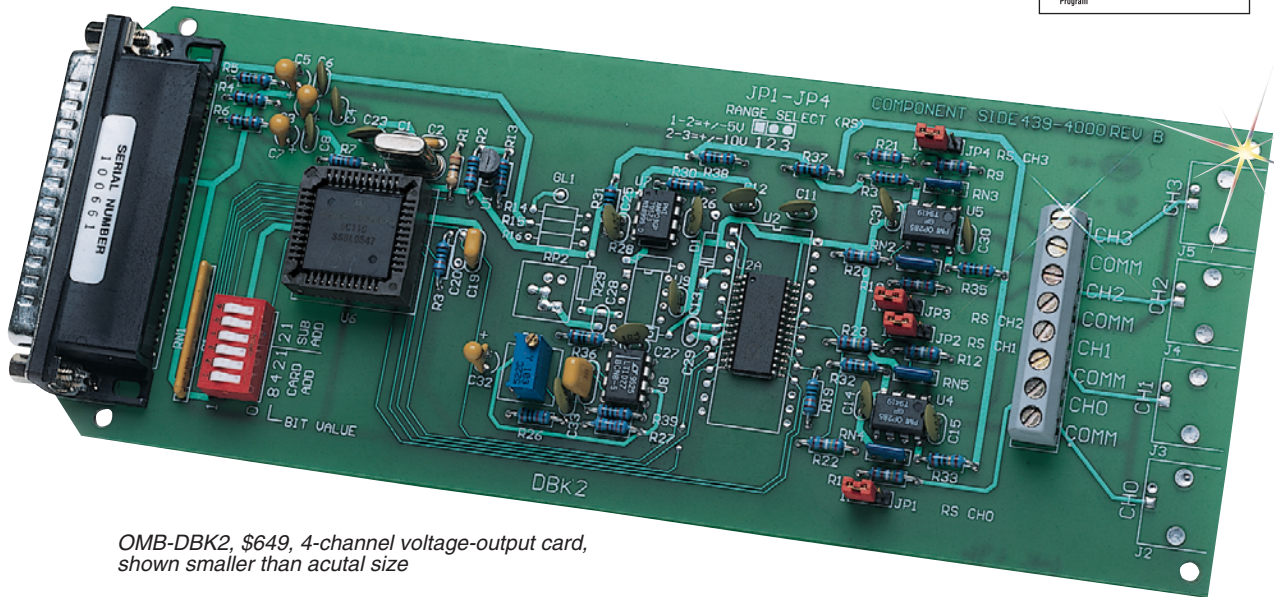


OMB-DBK2

4-Channel D/A Voltage-Output Card for OMB-DAQBOARD-2000 Series

Model OMB-DBK2

\$649



OMB-DBK2, \$649, 4-channel voltage-output card, shown smaller than actual size

- ✓ **14-Bit, Quad Analog Output**
- ✓ **Features On-Board Bipolar Reference for Accurate and Stable Voltage Outputs**
- ✓ **Provides Per-Channel Bipolar Voltage Ranges**

The 4-channel OMB-DBK2 voltage-output card provides OMEGA's OMB-DAQBOARD-2000 Series data acquisition systems with the ability to generate precise bipolar analog voltage outputs. The OMB-DBK2's outputs can be programmed with a static value whenever the data acquisition system is not transferring A/D data.

The card is particularly useful for applications that require program-mable voltage sources or the control of devices such as programmable power supplies and process controllers.

Up to 64 OMB-DBK2 cards can be attached to one OMB-DAQBOARD-2000 Series card, for a total of 256 outputs.

Card Architecture

The OMB-DBK2 features a quad 14-bit D/A converter that permits it to generate up to a ± 5 V or ± 10 V voltage. Voltage ranges are jumper selectable per channel. The card is also equipped with an on-board bipolar reference to ensure accurate and stable output voltages.

Applications

The OMB-DBK2's precise voltage output makes it especially useful for applications that require programmable voltage sources or test-signal generation.

It is also ideal for applications that require the control of external

devices such as programmable power supplies, proportional actuators, analog indicators, and process controllers.

Specifications

Connectors:

DB37 male, mates with P1 pinout on the OMB-DAQBOARD-2000 Series; screw terminals for signal outputs

Resolution: 14-Bit

Output Ranges:

± 5 V and ± 10 V (selectable per-channel via jumpers)

Accuracy: 0.05% FS

Linearity: 0.02% FS

Hysteresis: 0.01% FS

Output Current: 5 mA typ

Power Consumption: 565 mW

Cables: Use OMB-CA-37-x with OMB-DAQBOARD-2000 Series

AVAILABLE FOR FAST DELIVERY!

To Order (Specify Model Number)

Model Number	Price	Description
OMB-DBK2	\$649	4-Channel D/A Voltage-Output Card

Ordering Example: OMB-DBK2 4-channel D/A voltage-output card, \$649.

