

OMB-DBK85

16-Channel Differential Voltage Input Module For Use with OMB-DAQBOARD-2000 Series, OMB-DAQSCAN-2000 Series and OMB-LOGBOOK-300

\$899
Basic Unit



The OMB-DBK85 adds the convenience of BNC inputs plus 16 additional differential channels to any OMB-DAQBOARD-2000, OMB-DAQSCAN-2000 or OMB-LOGBOOK-300 system.

- ✓ 16 Differential Input Channels via BNC Connectors
- ✓ Unity Gain Combines with A/D Gains to Provide Full Scale Inputs from ± 156 mV to ± 10 V
- ✓ Ultra Low-Noise, High-Speed Design

OMB-DBK85, \$899, shown smaller than actual size

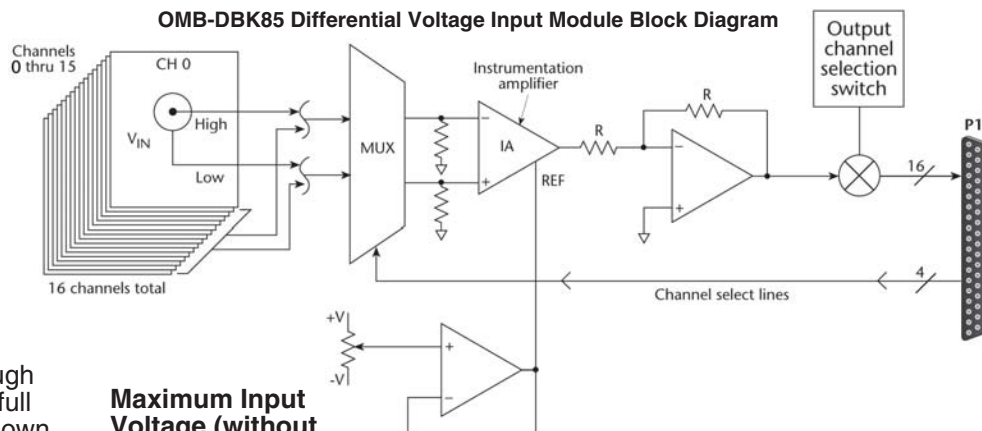
The OMB-DBK85 provides 16 channels of differential voltage input. It has a single, unity-gain input stage on all channels. When this is coupled with the A/D's on-board x1 through x64 programmable input gains, full scale input ranges from ± 10 V down to ± 156 mV.

The OMB-DBK85's ultra low noise, high-speed design allows users to expand their input to 256 channels without sacrificing measurement integrity.

Specifications

Gain Ranges: x1
Inputs: 16 differential voltage inputs
Maximum Voltage Range: ± 10 V
Input Impedance: 20 M Ω
Accuracy: $\pm[0.025\% + 150 \mu\text{V}]$ (typ); $\pm[0.1\% + 250 \mu\text{V}]$ (max)
Temperature Coefficient: 10 ppm for every degree outside the range of 0 to 50°C
Noise: 60 μVrms (typ)

OMB-DBK85 Differential Voltage Input Module Block Diagram



Maximum Input Voltage (without damage): ± 35 V
3 dB Bandwidth: 2.6 MHz
CMRR: 80 dB (typ)
Power Consumption: 755 mW
Connector: DBK37 male, mates with P1 connector (attachment to the OMB-DAQBOARD-2000 requires an OMB-DBK200,

OMB-DBK202 or OMB-DBK203 adaptor); front-panel BNC connectors for signal connection
Operating Temperature: -30 to 70°C (-22 to 158°F)
Dimensions: 285 W x 220 D x 45 mm H (11 x 8.5 x 1.75")
Weight: 1.13 kg (2.5 lb)

AVAILABLE FOR FAST DELIVERY!

To Order (Specify Model Number)		
Model No.	Price	Description
OMB-DBK85	\$899	16-channel differential voltage input module
OMB-RACKDBK3	103	Rack mount kit for OMB-DBK85

Ordering Example: OMB-DBK85, 16-channel differential voltage input module and OMEGACARE 1 year extended warranty for OMB-DBK85 (adds 1-year to standard 1-year warranty), \$899 + 89 = \$988.



UNITED STATES

www.omega.com
1-800-TC-OMEGA
Stamford, CT.

CANADA

www.omega.ca
Laval(Quebec)
1-800-TC-OMEGA

GERMANY

www.omega.de
Deckenpfronn, Germany
0800-8266342

UNITED KINGDOM

www.omega.co.uk
Manchester, England
0800-488-488

FRANCE

www.omega.fr
Guyancourt, France
088-466-342

CZECH REPUBLIC

www.omegaeng.cz
Karviná, Czech Republic
596-311-899

BENELUX

www.omega.nl
Amstelveen, NL
0800-099-33-44



More than 100,000 Products Available!

• Temperature

Calibrators, Connectors, General Test and Measurement Instruments, Glass Bulb Thermometers, Handheld Instruments for Temperature Measurement, Ice Point References, Indicating Labels, Crayons, Cements and Lacquers, Infrared Temperature Measurement Instruments, Recorders Relative Humidity Measurement Instruments, RTD Probes, Elements and Assemblies, Temperature & Process Meters, Timers and Counters, Temperature and Process Controllers and Power Switching Devices, Thermistor Elements, Probes and Assemblies, Thermocouples Thermowells and Head and Well Assemblies, Transmitters, Wire

• Flow and Level

Air Velocity Indicators, Doppler Flowmeters, Level Measurement, Magnetic Flowmeters, Mass Flowmeters, Pitot Tubes, Pumps, Rotameters, Turbine and Paddle Wheel Flowmeters, Ultrasonic Flowmeters, Valves, Variable Area Flowmeters, Vortex Shedding Flowmeters

• pH and Conductivity

Conductivity Instrumentation, Dissolved Oxygen Instrumentation, Environmental Instrumentation, pH Electrodes and Instruments, Water and Soil Analysis Instrumentation

• Data Acquisition

Auto-Dialers and Alarm Monitoring Systems, Communication Products and Converters, Data Acquisition and Analysis Software, Data Loggers Plug-in Cards, Signal Conditioners, USB, RS232, RS485 and Parallel Port Data Acquisition Systems, Wireless Transmitters and Receivers

• Pressure, Strain and Force

Displacement Transducers, Dynamic Measurement Force Sensors, Instrumentation for Pressure and Strain Measurements, Load Cells, Pressure Gauges, Pressure Reference Section, Pressure Switches, Pressure Transducers, Proximity Transducers, Regulators, Strain Gages, Torque Transducers, Valves

• Heaters

Band Heaters, Cartridge Heaters, Circulation Heaters, Comfort Heaters, Controllers, Meters and Switching Devices, Flexible Heaters, General Test and Measurement Instruments, Heater Hook-up Wire, Heating Cable Systems, Immersion Heaters, Process Air and Duct, Heaters, Radiant Heaters, Strip Heaters, Tubular Heaters