



Air-Actuated Valve, Bronze, Normally Closed, Bi-Directional, Compact Design

AAV-1000CB Series



- ✓ Ideal Alternative to Complex Actuated Ball Valves
- ✓ Ideal for Neutral and Some Aggressive Fluids
- ✓ Optical Position Indication Standard
- ✓ Compact Design for Bi-Directional Flow
- ✓ Bronze and PTFE Wetted Parts
- ✓ For Water, Steam, Compressed Air, Natural Gas, Oil or Vacuum Service



AAV-1015CB shown larger than actual size.

The AAV-1000CB Series air-operated bronze angle seat valves are ideal for use in a wide range of industrial applications that require Bi-Directional flow in a compact design. This unique construction permits the use of these valves with a wide range of fluids including steam, select liquids and gases, vacuum.

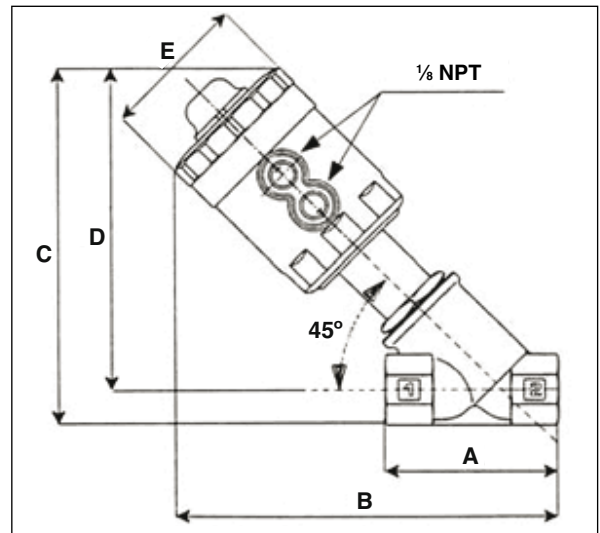
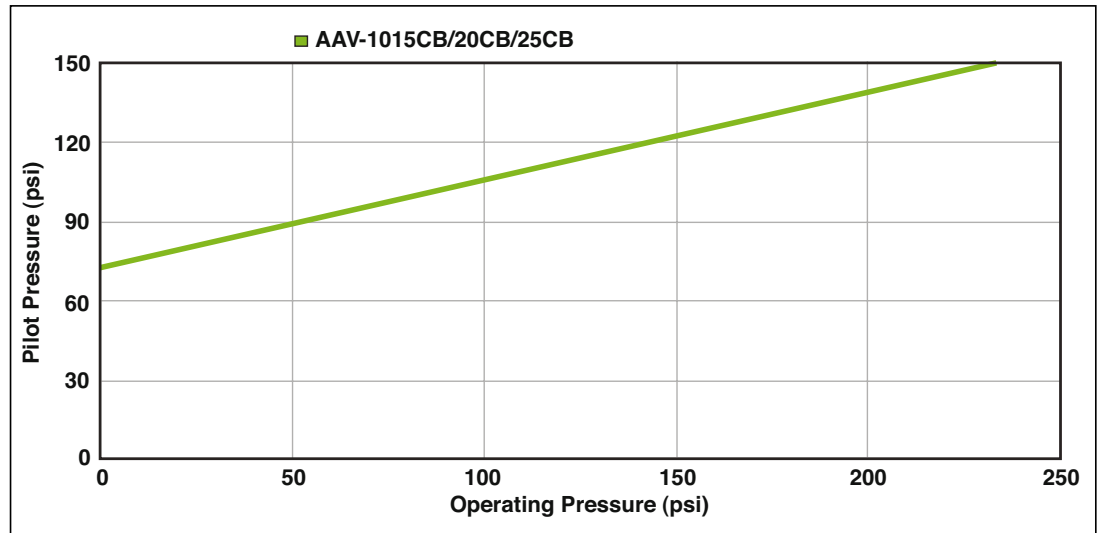
The valve stem has a self-aligning gland which together with the floating seal assures maximum integrity. The PTFE seal material is used as standard for maximum fluid compatibility.

SPECIFICATIONS

- Media Temperature:** -10 to 180°C (14 to 360°F)
- Ambient Temperature:** -10 to 60°C (14 to 140°F)
- Body Material:** Bronze
- Seal Material:** PTFE
- Pilot Media:** Air, inert gases, water, maximum 60°C (140°F)
- Valve Position:** Normally closed
- Flow Direction:** Bi-directional
- Anti-Water Hammer:** 2 → 1 flow only



Required Pilot Pressure Chart



Dimensions: mm (inch)

Model No.	Width (A)	Width (B)	Height (C)	Height (D)	Width (E)	Weight kg (lb)
AAV-1015CB	65 (2.56)	154 (6.06)	136 (5.34)	123 (4.84)	57 (2.25)	0.68 (1.50)
AAV-1020CB	74 (2.93)	155 (6.09)	131 (5.15)	130 (5.125)	57 (2.25)	0.79 (1.75)
AAV-1025CB	90 (3.56)	167 (6.59)	166 (6.53)	140 (5.53)	57 (2.25)	0.99 (2.20)

To Order							
Model No.	NPT	Orifice	cV	Minimum Pressure PSI	Maximum Pressure PSI* 1→2 (2→1)	Pilot Pressure Range PSI	Actuator Diameter mm (inch)
AAV-1015CB	1/2	1/2"	4.6	0	230 (230)	75 to 150	44 (1.75)
AAV-1020CB	3/4	3/4"	8.6		230 (100)		
AAV-1025CB	1	1"	19.3		230 (70)		

To order units with BSPP threads add suffix "-BSPP" to the model number, no additional cost.

Comes complete with operator's manual (pilot valve sold separately).

* Maximum pressure with steam is limited to 150 psig.