



# Air-Actuated Valve, Stainless Steel 316L, Normally Closed, Compact Design

AAV-1100C Series



- ✓ Ideal Alternative to Complex Actuated Ball Valves
- ✓ Ideal for Neutral and Some Aggressive Fluids
- ✓ Optical Position Indication Standard
- ✓ Compact Design
- ✓ 316L Stainless and PTFE Wetted Parts
- ✓ For Water, Steam, Compressed Air, Natural Gas, Oil or Vacuum Service



AAV-1115C shown larger than actual size.

The AAV-1100C Series of air-operated stainless steel angle seat valves are ideal for use in a wide range of industrial applications that require compact design. The unique construction permits the use of these valves with a wide range of fluids including steam, select liquids and gases, vacuum.

The valve stem has a self-aligning gland which together with the floating seal assures maximum integrity. The PTFE seal material is used as standard for maximum fluid compatibility.

## SPECIFICATIONS

**Media Temperature:** -10 to 180°C  
(14 to 360°F)

**Ambient Temperature:** -10 to 60°C  
(14 to 140°F)

**Body Material:** Stainless Steel  
AISI 316L

**Seal Material:** PTFE

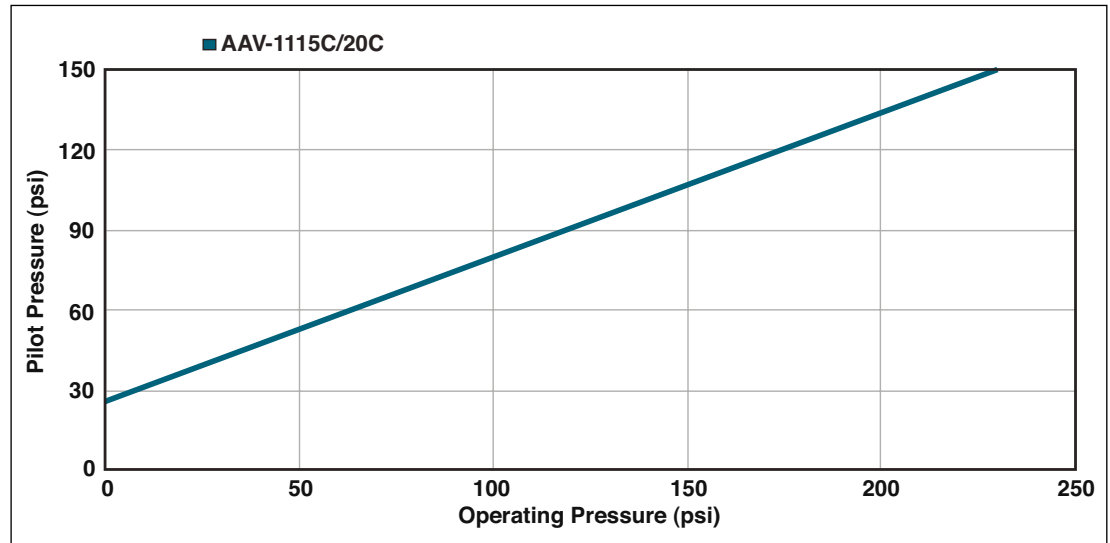
**Pilot Media:** Air, inert gases, water,  
maximum 60°C (140°F)

**Valve Position:** Normally closed

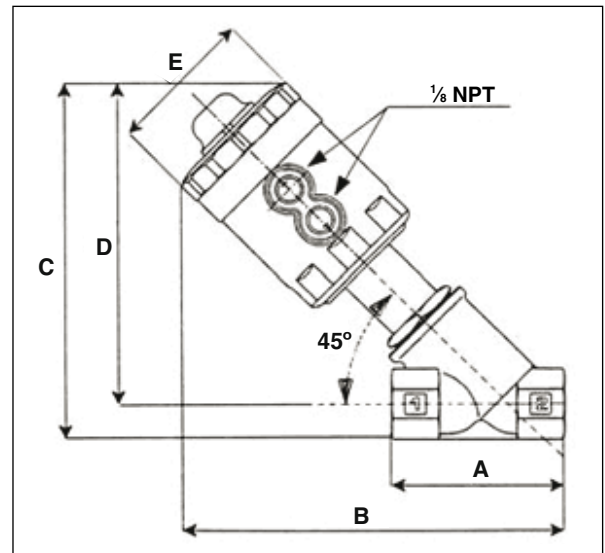
**Flow Direction:** 1 → 2



### Required Pilot Pressure Chart



AAV-1115C shown smaller than actual size.



### Dimensions: mm (inch)

Model No.	Width (A)	Width (B)	Height (C)	Height (D)	Width (E)	Weight kg (lb)
<b>AAV-1115C</b>	65 (2.56)	154 (6.06)	136 (5.34)	123 (4.84)	57 (2.25)	1.2 (2.80)
<b>AAV-1120C</b>	74 (2.93)	155 (6.09)	131 (5.15)	130 (5.125)	57 (2.25)	1.3 (3.00)

### To Order

Model No.	NPT	Orifice	cV	Minimum Pressure PSI	Maximum Pressure PSI* 1-2 (2->1)	Pilot Pressure Range PSI	Actuator Diameter mm (inch)
<b>AAV-1115C</b>	1/2	1/2"	4.6	0	230	26 to 150	44 (1.75)
<b>AAV-1120C</b>	3/4	3/4"	8.6				

To order units with BSPP threads add suffix **"-BSPP"** to the model number, no additional cost.

Comes complete with operator's manual (pilot valve sold separately).

\* Maximum pressure with steam is limited to 150 psig.