

# ELECTRONIC DRAIN VALVES

## DVT-1



- ✓ 100% Continuous Duty Cycle
- ✓ 8 W, 120 Vac Coil Standard
- ✓ LED Indicator

OMEGA's DVT electronic drain feature external adjustable timing from 1 to 15 seconds on timing and 1 to 45 minutes off timing. Units have manual test/override button and light diodes for mode of operation. The timers can be used for voltages from 24 to 240/50 to 60 Hz.



DVT-1 shown larger than actual size.

### SPECIFICATIONS

**Mounting Position:** Any (preferably with solenoid system upright)

**ON Time:** Adjustable 1 to 15 seconds

**OFF Time:** Adjustable 1 to 45 minutes

**Power:** 115 Vac, 60 Hz

**Voltage Tolerance:**  $\pm 10\%$

**Minimum/Maximum Temperature:** 1 to 54°C (35 to 130°F)

**Duty Cycle:** Continuous (100%)

**Coil Molding Material:**

**Black Polyester (Class F):**

SV8COIL-115 AC

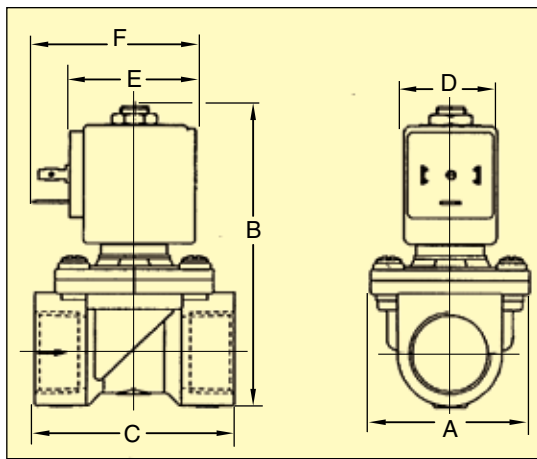
SV8COIL-220 AC

**Black Epoxy Resin (Class H):**

All 14 Watt coils

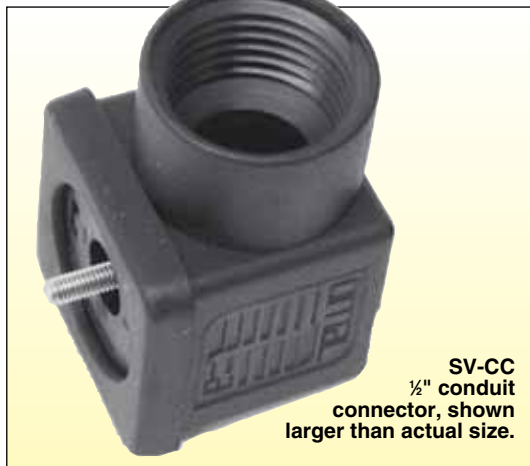
Valve Materials of Construction	
Body	Brass
Armature Tube	Stainless Steel 300
Fixed Core	Stainless Steel 400
Plunger	Stainless Steel 400
Spring	Stainless Steel 300
Shading Ring	Copper
Orifice	Brass

Coil Specifications		
Watt	Inrush VA	Holding VA
8	25	14.5
12	36	23
14	43	27



Valve Dimensions			
Model No.	A	B	C
DVT-1, -2			2"
DVT-3	1 <sup>9</sup> / <sub>16</sub> "	3 <sup>9</sup> / <sub>16</sub> "	2"
DVT-4			2 <sup>27</sup> / <sub>32</sub> "

Coil Dimensions			
Watt	D	E	F
8	1 <sup>3</sup> / <sub>16</sub> "	1 <sup>21</sup> / <sub>32</sub> "	2 <sup>1</sup> / <sub>8</sub> "
12	1 <sup>7</sup> / <sub>16</sub> "	1 <sup>29</sup> / <sub>32</sub> "	2 <sup>3</sup> / <sub>8</sub> "
14	2 <sup>1</sup> / <sub>16</sub> "	2 <sup>7</sup> / <sub>32</sub> "	2 <sup>21</sup> / <sub>32</sub> "



To Order						Operating Pressure	
						M.O.P.D.*	
Model No.	Pipe Size NPT	Orifice Size	Cv Flow Factor	O-ring	Power (watt)	MIN psi	AC psi
<b>Normally Closed</b>							
DVT-1	1/4	1/8"	0.24	FKM	8	0	175
DVT-2	1/4	7/16"	1.5	FKM	8	2	300
DVT-3	3/8	7/16"	1.7	FKM	8	2	300
DVT-4	1/2	7/16"	1.7	FKM	8	2	300

\*Maximum operating pressure differential.

### Accessories

Model No.	Description
<b>Connectors</b>	
SV-CGC	Cable grip connector
SV-CC	1/2" conduit connector
<b>Coils</b>	
SV8COIL-115AC	Replacement 8W coil for 110 to 120 Vac/50 to 60 Hz 154°C (310°F) (Class F)
SV8COIL-220AC	8W coil for 220 to 240/50 to 60 Hz 154°C (310°F) (Class F)
SV8COIL-115/60HZ	8W coil for 115/60 Hz 182°C (360°F) (Class H)

Comes complete with operator's manual and cable grip connector.

**Ordering Examples:** DVT-2, 1/4 NPT Valve with electronic timer.

DVT-1, 1/8 NPT Valve with electronic timer.