

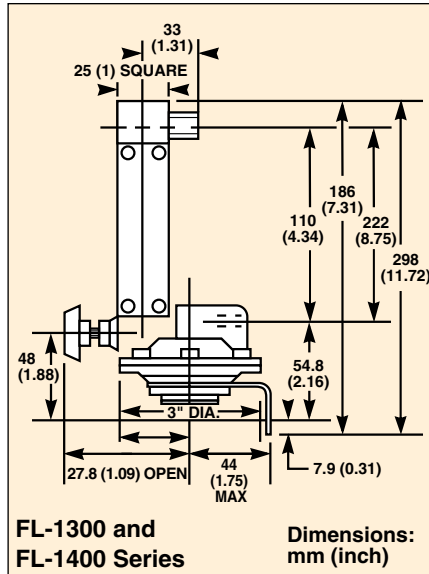
# GENERAL PURPOSE PURGE ROTAMETERS

**CAPACITIES: 0.0046 to 19 GPH of Water, 249 to 1350 cc/min of Water**  
**FL-1300: 0.034 to 85 SCFH of Air**  
**FL-1400: 14.6 to 43,000 cc/min of Air**

## FL-1300/FL-1400 Series



- ✓ ±5% Full Scale Accuracy (FL-1400)
- ✓ ±10% Full Scale Accuracy (FL-1300)
- ✓ ±½% Full Scale Repeatability
- ✓ Integral Flow Controller Standard
- ✓ Compact 65 mm (2.6") Scale for FL-1300 or Large 150 mm (5.9") Scale for FL-1400

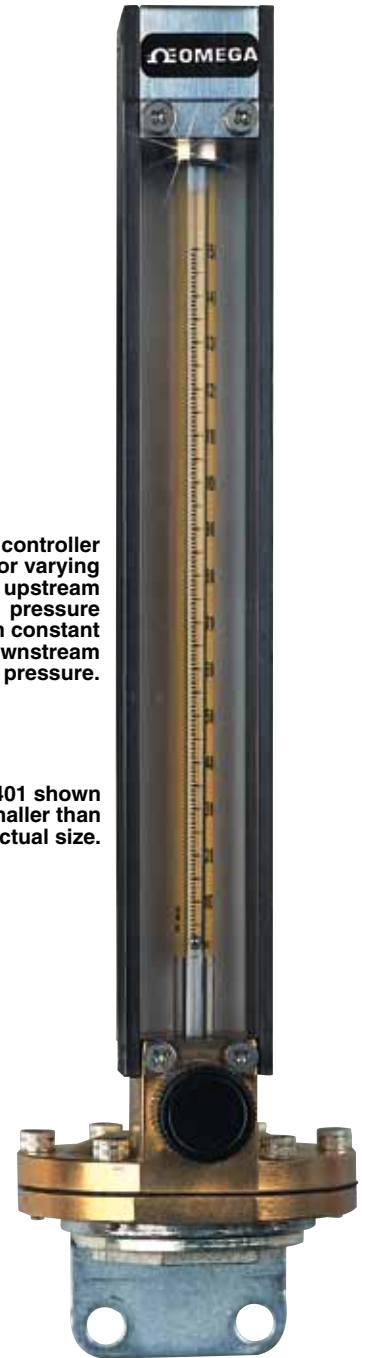


FL-1300 Series rotameters are supplied with an easy-to-read 65 mm (2.6") scale. The FL-1400 Series features a large, easy-to-read 150 mm (5.9") scale,

with correlation charts for air and water. The integral flow controller (for both the FL-1300 and FL-1400 Series) maintains a set flow rate when upstream line pressure varies.

Flow controller for varying upstream pressure with constant downstream pressure.

FL-1401 shown smaller than actual size.



### FL-1300 Series

To Order			
Air Model No.	Range (SCFH)	Water Model No.	Range (GPH)
FL-1301	0.034 to 0.34	FL-1311	0.0046 to 0.046
FL-1302	0.042 to 0.42	FL-1312	0.006 to 0.06
FL-1303	0.2 to 2.0	FL-1313	0.038 to 0.38
FL-1304	0.75 to 7.5	FL-1314	0.16 to 1.6
FL-1305	2.6 to 26	FL-1315	0.55 to 5.5
FL-1306	8.5 to 85	FL-1316	1.9 to 19

For units with brass ends, add suffix "-B" to model number, for additional cost.

### FL-1400 Series

Model No.	Ranges	
	Air (cc/min)	Water (cc/min)
FL-1401	14.6 to 146	0.249 to 24.9
FL-1402	26.5 to 265	0.493 to 4.93
FL-1403	82 to 820	2.06 to 20.6
FL-1404	168 to 1680	4.62 to 46.2
FL-1405	460 to 4600	13.3 to 133
FL-1406	760 to 7600	21.8 to 218
FL-1407	1640 to 16,400	49.3 to 493
FL-1408	4300 to 43,000	135 to 1350

Comes complete with operator's manual and correlation tables for air and water.

For units with brass ends, add suffix "-B" to model number, for additional cost.

Ordering Examples: FL-1303, 0.2 to 2.0 SCFH 65 mm scale.

FL-1405, 460 to 4600 cc/min for air, 13.3 to 133 cc/min for water, 150 mm scale.

### Specifications

**Metering Tube:** Borosilicate glass

**Float:** 316 stainless steel

**End Fittings:** 316 SS (standard)

Chrome-plated brass (optional)

**O-Rings and Tube Packing:**

FKM-A (316 SS fittings);

neoprene (brass fittings)

**Maximum Pressure:**

13.8 bar (200 psig) up to 121°C (250°F)

**Connections:** Horizontal female ¼ NPT