

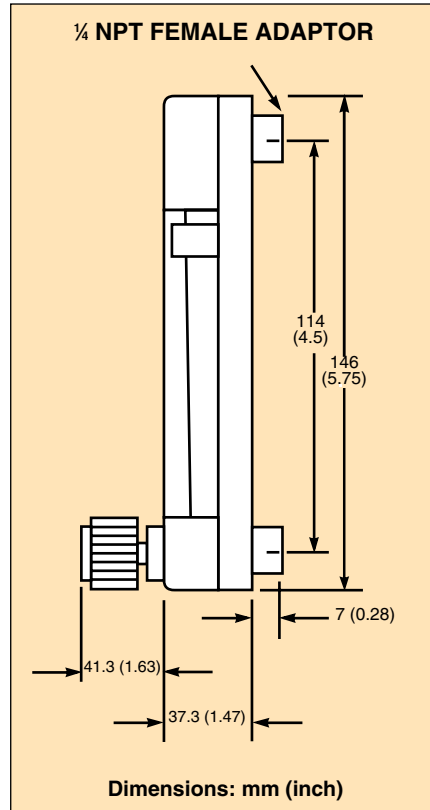
ECONOMICAL PURGE ROTAMETERS

For Low Flows

FL-1900 Series



- ✓ ±10% Full Scale Accuracy
- ✓ ±0.5% Full Scale Repeatability
- ✓ 316 SS End Fittings
- ✓ Integral Flow Control Valve
- ✓ 316 SS, PTFE Glass, and FKM Wetted Parts
- ✓ Direct Reading Scale for Air or Water
- ✓ Compact 65 mm (2.6") Scale
- ✓ Non-Rotating Seal Spindle



OMEGA® FL-1900 Rotameters provide an economical means of flow rate indication. Designed for applications where accuracy requirements are not severe, these instruments are ideal for such services as purging, seal oil systems, bearing lubrication, and cooling water flow indication.

These flowmeters feature 316 SS end fittings with PTFE glass and FKM wetted parts at an economical cost, providing an alternative to comparable higher-priced units.



FL-1904 shown slightly smaller than actual size.

SPECIFICATIONS

- Accuracy:** ±10% full scale
- Repeatability:** ±0.5% of full scale
- Maximum Operating Pressure:** 13.8 bar (200 psig)
- Operating Temperature Range:** 0 to 121°C (32 to 250°F)
- Metering Tube:** Borosilicate glass
- End Fittings:** 316 SS
- Window Shield:** High-impact plastic
- Float Stops:** PTFE
- Tube Packing:** FKM
- O-Rings:** FKM
- Scale:** 65 mm (2.6"), direct reading for air or water
- Connection:** ¼ NPT

To Order

Air Model No.	Range (SCFH)	Float Material	Water Model No.	Range (GPH)	Float Material
FL-1901	0.2 to 1.2	Glass	FL-1951	0.01 to 0.14	Glass
FL-1902	0.2 to 2.0	Glass	FL-1952	0.05 to 0.5	316 SS
FL-1903	0.5 to 5.0	316 SS	FL-1953	0.1 to 1.0	316 SS
FL-1904	0.5 to 6.0	Glass	FL-1954	0.05 to 0.7	Glass
FL-1905	1.0 to 10	316 SS	FL-1955	0.1 to 1.6	316 SS
FL-1906	1.2 to 12	Glass	FL-1956	0.2 to 2.0	Glass
FL-1907	2.0 to 18	316 SS	FL-1957	0.5 to 4.0	316 SS
FL-1908	5.0 to 45	Glass	FL-1958	1.0 to 9.0	Glass
FL-1909	10 to 80	316 SS	FL-1959	2.0 to 17	316 SS
FL-1910	5.0 to 55	Glass	FL-1960	-1.0 to 11	Glass
FL-1911	10 to 90	316 SS	FL-1961	2.0 to 20	316 SS
FL-1912	12 to 120	Carboloy	FL-1962	3.0 to 30	Carboloy

Comes complete with operator's manual.

For units without valves, add suffix "-NV" to model number and subtract from cost.

Ordering Examples: FL-1902-NV, air purge rotameter with 0.2 to 2.0 CFH range, without valves.
FL-1957, water rotameter with 0.5 to 4.0 GPH range.