

GLASS TUBE FLOWMETERS

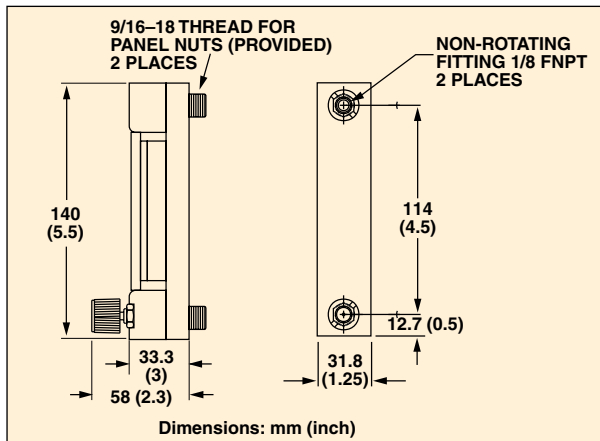
E-Z TUBE CHANGE WITH MAGNIFYING FRONT SHIELD

- ✓ Standard Millimeter Scales with Flow Curves
- ✓ E-Z Change Design Allows Quick Interchangeability of Tube Assemblies
- ✓ Glass Tube Allows Compatibility with Most Gases and Fluids
- ✓ Rotating Lens Allows 180° View with Magnification

FL-5000 Series

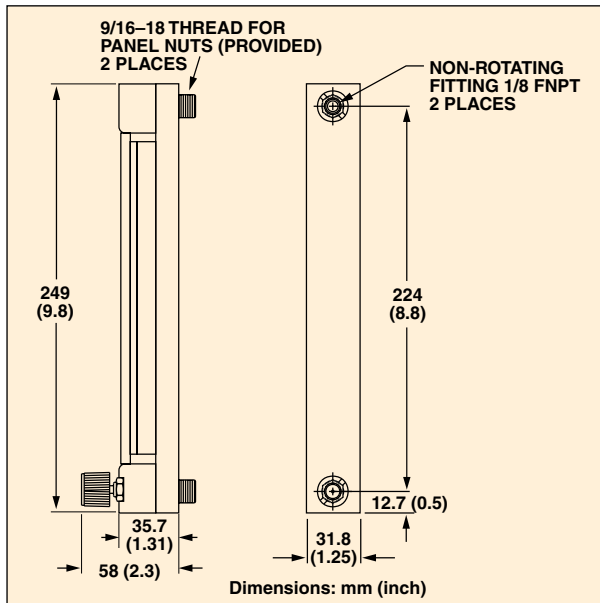


Optional



65 mm (2.5") FLOWMETER

Millimeters	140.0	33.3	58.0	31.8	114.0	12.7
Inches	5.5	1.4	2.3	1.3	4.5	0.5



150 mm (5.9") FLOWMETER

Millimeters	245.0	35.7	56.0	31.8	224.0	12.7
Inches	9.8	1.31	2.3	1.25	8.8	0.5



FL-5411G Series flowmeter basic model, shown actual size.



FL-5511G-NV Series flowmeter, aluminum basic model, shown smaller than actual size.

SPECIFICATIONS

Accuracy:

65 mm (2.5"): scale ±5%

150 mm (5.9"): scale ±3%

Back Plate: Aluminum

Standard Seals: Aluminum with Buna; stainless steel with FKM

Tube: Borosilicate glass

Pressure: 200 psi

Temperature: 93°C (200°F)

FL-5000 Series rotameters are supplied standard with a 9-turn cartridge valve; optionally available are units without a valve or with a 16-turn non-rising stem precision valve

To Order							
Aluminum Model No.	316 SS Model No.	65 mm (2.6")		Aluminum Model No.	316 SS Model No.	150 mm (5.9")	
		Air cc/min	Water cc/min			Air cc/min	Water cc/min
FL-5311G	FL-5411G	51	–	FL-5511G	FL-5611G	50	–
FL-5311SA	FL-5411SA	82	–	FL-5511SA	FL-5611SA	78	–
FL-5311ST	FL-5411ST	153	–	FL-5511ST	FL-5611ST	152	–
FL-5311C	FL-5411C	284	–	FL-5511C	FL-5611C	281	–
FL-5311T	FL-5411T	310	–	FL-5511T	FL-5611T	315	–
FL-5321G	FL-5421G	103	–	FL-5521G	FL-5621G	106	–
FL-5321SA	FL-5421SA	160	–	FL-5521SA	FL-5621SA	167	–
FL-5321ST	FL-5421ST	298	–	FL-5521ST	FL-5621ST	308	–
FL-5321C	FL-5421C	498	–	FL-5521C	FL-5621C	497	–
FL-5321T	FL-5421T	546	–	FL-5521T	FL-5621T	540	–
FL-5331G	FL-5431G	400	–	FL-5531G	FL-5631G	400	–
FL-5331SA	FL-5431SA	550	–	FL-5531SA	FL-5631SA	555	–
FL-5331ST	FL-5431ST	855	21.4	FL-5531ST	FL-5631ST	870	22.2
FL-5331C	FL-5431C	1275	35.4	FL-5531C	FL-5631C	1300	36.2
FL-5331T	FL-5431T	1360	38.4	FL-5531T	FL-5631T	1400	39.5
FL-5341G	FL-5441G	900	18.2	FL-5541G	FL-5641G	855	18
FL-5341SA	FL-5441SA	1200	29.6	FL-5541SA	FL-5641SA	1135	27.6
FL-5341ST	FL-5441ST	1800	50.1	FL-5541ST	FL-5641ST	1710	47.5
FL-5341C	FL-5441C	2620	76.1	FL-5541C	FL-5641C	2465	73.2
FL-5341T	FL-5441T	2790	82.4	FL-5541T	FL-5641T	2640	78.8
FL-5351G	FL-5451G	2580	55	FL-5551G	FL-5651G	2290	50
FL-5351SA	FL-5451SA	3350	85	FL-5551SA	FL-5651SA	2980	75
FL-5351ST	FL-5451ST	5030	140	FL-5551ST	FL-5651ST	4480	125
FL-5351C	FL-5451C	7270	215	FL-5551C	FL-5651C	6475	190
FL-5351T	FL-5451T	7710	230	FL-5551T	FL-5651T	6805	205
FL-5361G	FL-5461G	3930	90	FL-5561G	FL-5661G	3425	75
FL-5361SA	FL-5461SA	5080	130	FL-5561SA	FL-5661SA	4465	115
FL-5361ST	FL-5461ST	7510	220	FL-5561ST	FL-5661ST	6600	190
FL-5361C	FL-5461C	10700	325	FL-5561C	FL-5661C	9475	285
FL-5361T	FL-5461T	11315	345	FL-5561T	FL-5661T	9990	305
FL-5371G	FL-5471G	6000	130	FL-5571G	FL-5671G	9180	215
FL-5371SA	FL-5471SA	7800	200	FL-5571SA	FL-5671SA	11990	315
FL-5371ST	FL-5471ST	11450	335	FL-5571ST	FL-5671ST	17810	515
FL-5371C	FL-5471C	16340	500	FL-5571C	FL-5671C	24970	765
FL-5371T	FL-5471T	17250	535	FL-5571T	FL-5671T	26170	825
FL-5381G	FL-5481G	10100	235	FL-5581G	FL-5681G	23740	565
FL-5381SA	FL-5481SA	12980	350	FL-5581SA	FL-5681SA	30270	830
FL-5381ST	FL-5481ST	18960	560	FL-5581ST	FL-5681ST	44050	1335
FL-5381C	FL-5481C	26525	830	FL-5581C	FL-5681C	61410	1950
FL-5381T	FL-5481T	28115	885	FL-5581T	FL-5681T	66370	2080
FL-5391G	FL-5491G	15750	375	<p align="center">FLOAT MATERIAL CODES</p> <p>Black Glass (G)</p> <p>Sapphire (SA)</p> <p>Stainless Steel (ST)</p> <p>Carboloy (C)</p> <p>Tantalum (T)</p>			
FL-5391SA	FL-5491SA	20170	545				
FL-5391ST	FL-5491ST	29400	880				
FL-5391C	FL-5491C	41175	1305				
FL-5391T	FL-5491T	43410	1385				
FL-5392G	FL-5492G	23640	570				
FL-5392SA	FL-5492SA	30090	825				
FL-5392ST	FL-5492ST	43340	1305				
FL-5392C	FL-5492C	61120	1920				
FL-5392T	FL-5492T	65850	2055				

Come complete with operator's manual and correlation sheets for water and air.

1. To order units without valves, add suffix **"-NV"** to model number, for additional cost.

2. To order units with high resolution valves, add suffix **"-HRV"** to model number, for additional cost.

For optional 10-point NIST certificate add suffix, **"-NIST"** to the model number, for additional cost and two weeks to the standard lead time.

Ordering Examples: FL-5651T-HRV, 150 mm glass tube, stainless steel-tantalum float flowmeter with high resolution valves.

FL-5361C, 65 mm glass tube, carboloy float.