

# Direct Read In-Line and Panel variable area flow meter

## FLD1000/ FLD2000 Series

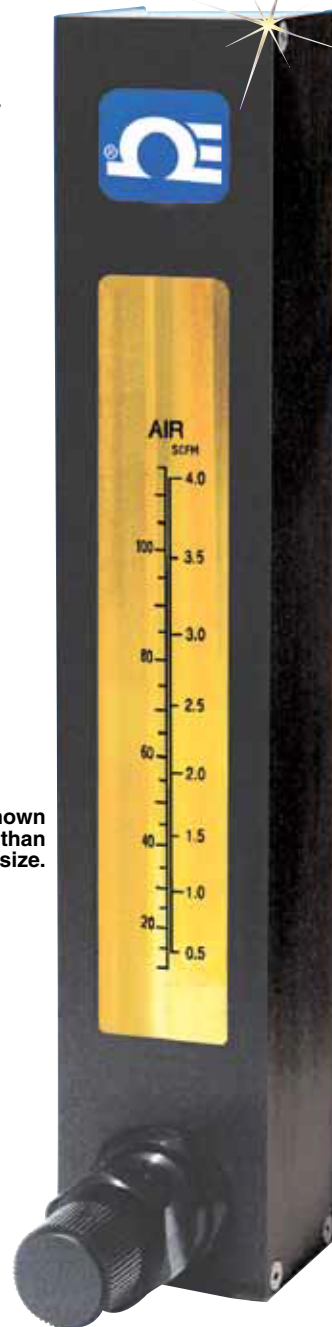


- ✓ Rigid, Compact Construction
- ✓ Dual, Rotatable, Direct Reading Scales for Air and Water
- ✓ Graduations Reflect Both Metric and English Systems
- ✓ Vertical In-line or Panel Mount

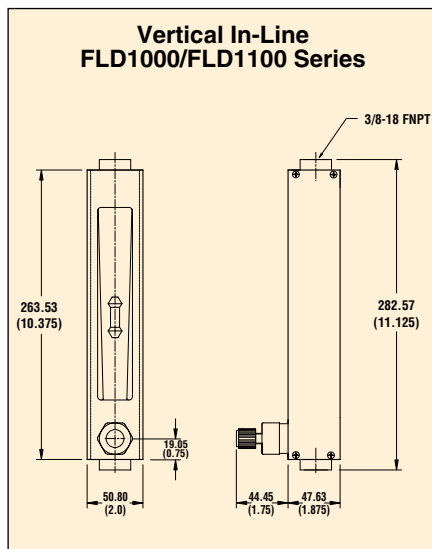
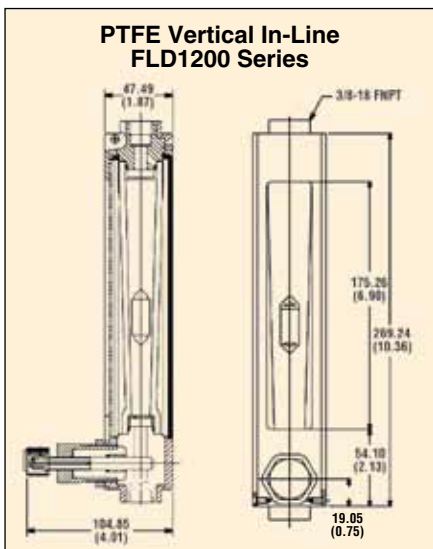
Incorporating traditional variable area precision glass technology, these rugged PTFE flow meters offer accurate and economical solutions to medium flow range measurements.

The FLD1000/FLD2000 variable area flow meter are designed with unique rotatable scales of dual air-water direct reading graduations showing SCFM and SLPM (air), as well as GPM and LPM (water) markings.

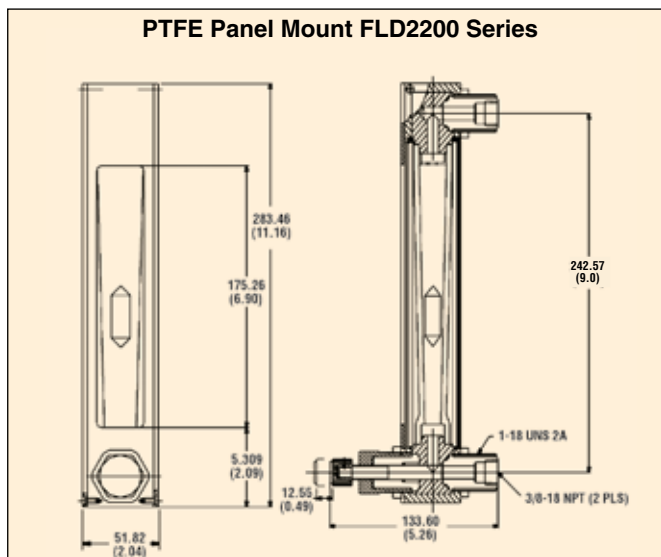
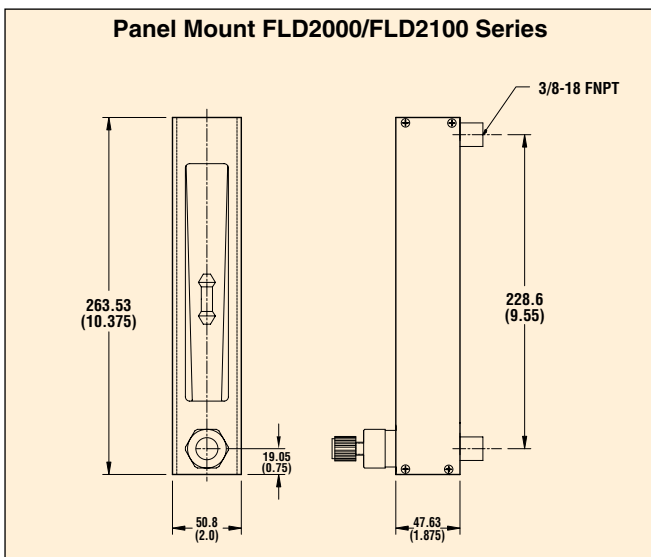
Flow meters are individually tested on a Mass Spectrometer Leak Detector and certified to a leak integrity rating of  $1 \times 10^{-7}$  SCCS Helium or better.



Dimensions: mm (inch)



FLD2201, shown smaller than actual size.



## SPECIFICATIONS

**Accuracy:** +5% of full scale

**Maximum Temperature:** 65°C (150°F) or 121°C (250°F)  
for 316 SS or brass unit

**Maximum Pressure:**

**Metal Body:** 10.3 bar (150 psig) @ 93°C (200°F)

**PTFE Body:** 6.7 bar (100 psig) @ ambient temperature

**Connections:** ½ NPT female in line or horizontal rear

**Scales:** Rotatable, direct reading air (SCFM-SLPM) and water (GPM-LPM). Scale length is 127 mm (5") nominal

**Leak Integrity:** Individually leak tested and certified

**Tube Shields:** Polycarbonate

**Flow Tubes:** Heavy walled precision formed borosilicate glass

**Floats:** PTFE for PTFE3, 316 SS for 316 SS and brass units

**Wetted Parts:** PTFE, brass or 316 SS

**Seals:** PTFE; FKM for 316 SS and brass units

## To Order

### Vertical In-line

Stainless Steel With Valve	Stainless Steel Without Valve	Maximum Flow			
		Air		Water	
Model No.	Model No.	SCFM	SLPM	GPM	LPM
FLD1001	FLD1001-NV	5	140	1.2	4
FLD1002	FLD1002-NV	10	280	2	8
FLD1003	FLD1003-NV	15	425	3	11.5
FLD1004	FLD1004-NV	20	575	4	15
FLD1005	FLD1005-NV	30	900	5	20
<b>Brass With Valve</b>	<b>Brass Without Valve</b>				
FLD1101	FLD1101-NV	5	140	1.2	4
FLD1102	FLD1102-NV	10	280	2	8
FLD1103	FLD1103-NV	15	425	3	11.5
FLD1104	FLD1104-NV	20	575	4	15
FLD1105	FLD1105-NV	30	900	5	20
<b>PTFE With Valve</b>	<b>PTFE Without Valve</b>				
FLD1201	FLD1201-NV	3.5	100	0.8	3
FLD1202	FLD1202-NV	7	200	1.5	5.75
FLD1203	FLD1203-NV	10.5	300	2.2	8.25
FLD1204	FLD1204-NV	14	400	2.9	11
FLD1205	FLD1205-NV	17.5	500	3.5	13.25
FLD1206	FLD1206-NV	22	625	4.1	16
<b>Panel Mount</b>					
Stainless Steel With Valve	Stainless Steel Without Valve	Air		Water	
		SCFM	SLPM	GPM	LPM
FLD2001	FLD2001-NV	5	140	1.2	4
FLD2002	FLD2002-NV	10	280	2	8
FLD2003	FLD2003-NV	15	425	3	11.5
FLD2004	FLD2004-NV	20	575	4	15
FLD2005	FLD2005-NV	30	900	5	20
<b>Brass With Valve</b>	<b>Brass Without Valve</b>				
FLD2101	FLD2101-NV	5	140	1.2	4
FLD2102	FLD2102-NV	10	280	2	8
FLD2103	FLD2103-NV	15	425	3	11.5
FLD2104	FLD2104-NV	20	575	4	15
FLD2105	FLD2105-NV	30	900	5	20
<b>PTFE With Valve</b>	<b>PTFE Without Valve</b>				
FLD2201	FLD2201-NV	3.5	100	0.8	3
FLD2202	FLD2202-NV	7	200	1.5	5.75
FLD2203	FLD2203-NV	10.5	300	2.2	8.25
FLD2204	FLD2204-NV	14	400	2.9	11
FLD2205	FLD2205-NV	17.5	500	3.5	13.25
FLD2206	FLD2206-NV	22	625	4.1	16

Comes with complete operator's manual.

For oxygen cleaning add "-O2CLEAN" to model number for additional cost.

NIST traceable calibration not available.

**Ordering Examples:** FLD2101, direct read brass flow meter with valve.

FL1101 vertical in-line direct read brass flow meter with valve.