

# HIGH-PERFORMANCE FLOW SIGNAL CONDITIONERS



## FLSC-45



**Low-Cost Model with Plastic Enclosure!**

- ✓  $\pm 0.15\%$  FS Accuracy
- ✓ Low-Cost Economical Design
- ✓ Plastic Enclosure for Wall Mounting
- ✓ 4 to 20 mA or 1 to 5 Vdc Field-Selectable Output
- ✓ Operates on 15 to 32 Vdc

FLSC-45 shown smaller than actual size.



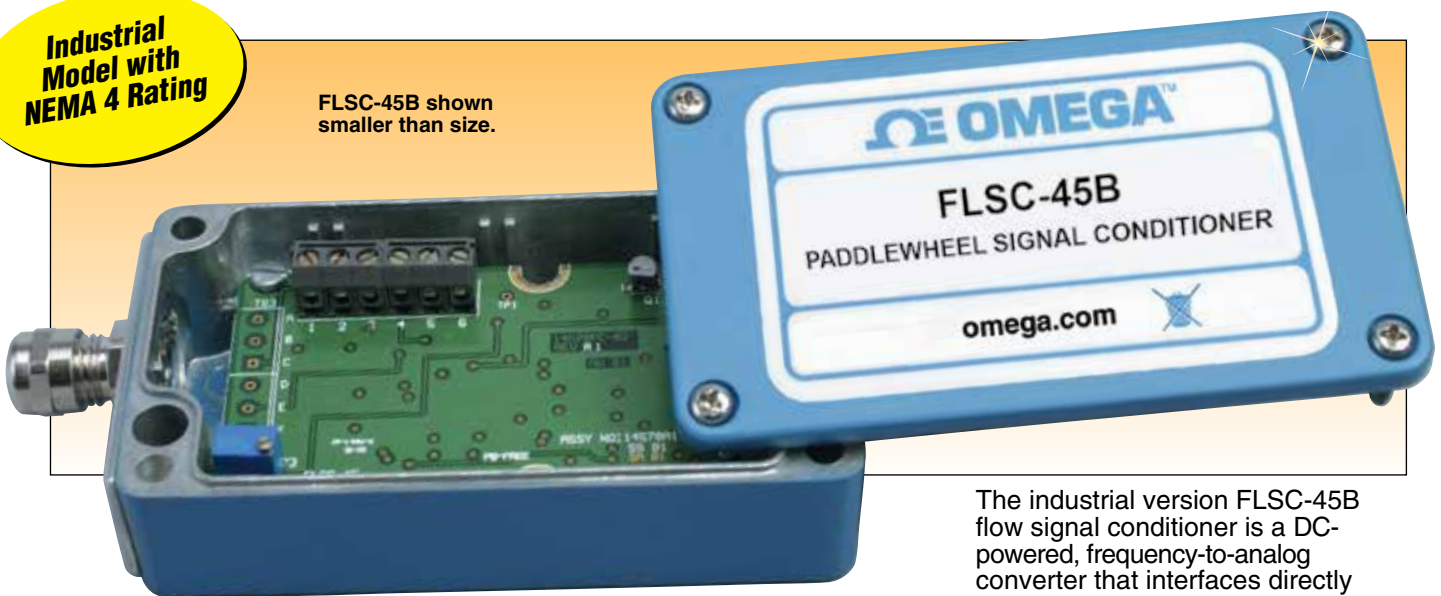
The FLSC-45 flow signal conditioner is a DC-powered, frequency-to-analog converter that interfaces directly to many of OMEGA's paddlewheel sensors to provide a linear scaled 4 to 20 mA or 1 to 5 Vdc field-

selectable output across a dedicated flow range. The high-performance electronics will accept a low-level magnetic pickup signal from a paddlewheel or turbine meter without amplification.

The industry-standard output interfaces directly with OMEGA's iSeries meters and controllers. The FLSC-45 features a plastic enclosure with a built-in mounting plate for wall mounting.

**Industrial Model with NEMA 4 Rating**

FLSC-45B shown smaller than size.

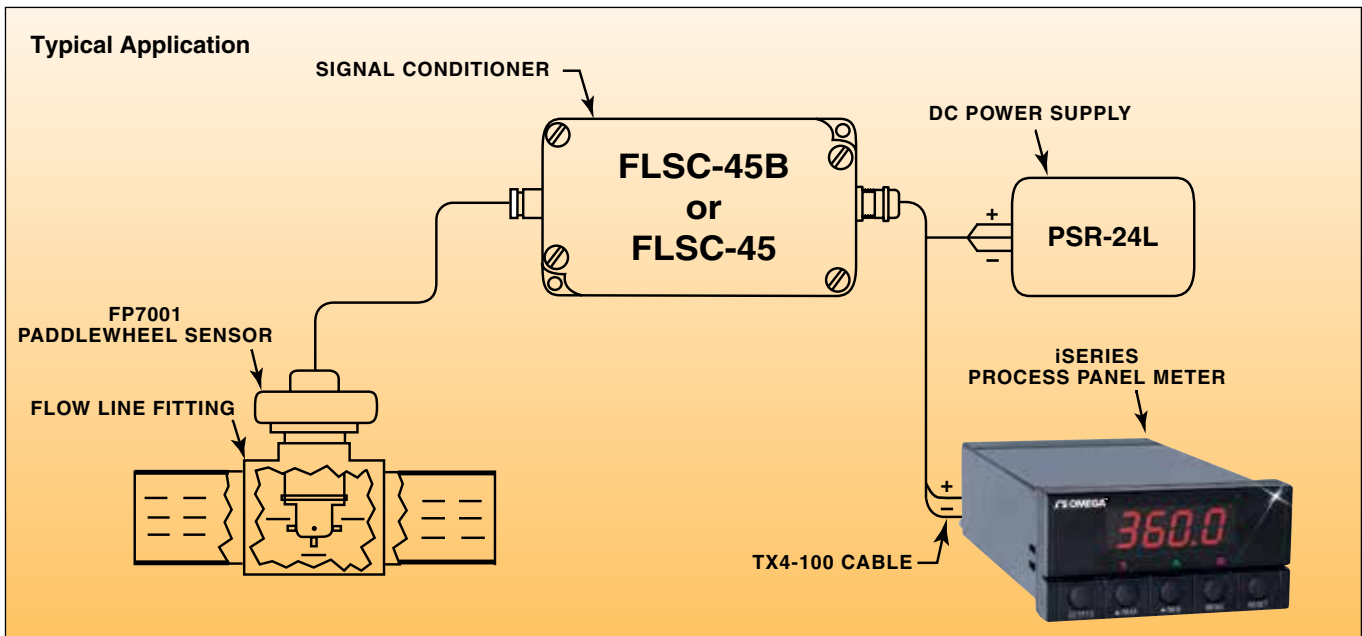


## FLSC-45B



- ✓  $\pm 0.15\%$  FS Accuracy
- ✓ Rugged, Die-Cast NEMA 4 (IP65) Aluminum Enclosure for Industrial Use
- ✓ 4 to 20 mA or 1 to 5 Vdc Field-Selectable Output
- ✓ Operates on 15 to 24 Vdc

The industrial version FLSC-45B flow signal conditioner is a DC-powered, frequency-to-analog converter that interfaces directly to many of OMEGA's paddlewheel sensors to provide a linear scaled 4 to 20 mA or 1 to 5 Vdc field-selectable output across a dedicated flow range. The high-performance electronics will accept a low-level magnetic pickup signal from a paddlewheel or turbine meter without amplification. The industry-standard output interfaces directly with OMEGA's iSeries meters and controllers. The FLSC-45B features a NEMA 4 (IP65) die-cast aluminum enclosure with built-in mounting holes.



### SPECIFICATIONS (FLSC-45)

**Accuracy:**  $\pm 0.15\%$  FS  
**Repeatability:**  $\pm 0.025\%$   
**Input:** Sine wave 20 mV p-p min  
**Frequency Input Range to Achieve FS Output:** 65 to 7600 Hz  
**Power:** 10 to 32 Vdc for 4 to 20 mA output or 15 to 32 Vdc for 1 to 5 Vdc output  
**Output:** 3-wire (4 to 20 mA or 1 to 5 Vdc)  
**Response Time:** 2 s fixed  
**Maximum Loop Resistance:** (V supply - 10 V)/0.02 A =  $\Omega$   
**Operating Temperature:** -20 to 60°C (-4 to 140°F)  
**Storage Temperature:** -25 to 70°C (-12 to 158°F)  
**Enclosure:** Polypropylene  
**Approvals:** None  
**Dimensions:** 61 H x 104 W x 25 mm D (2.4 x 4.1 x 1")  
**Weight:** 96 g (3.3 oz)



### To Order

Model No.	Description
FLSC-45	Signal conditioner
FLSC-45B	Signal conditioner, NEMA 4 enclosure

### Recommended Paddlewheel Sensors

Model No	Description
FP7001A	Polypropylene body, 316 SS shaft for ¼ to 3" pipes
FP-5300	Polypropylene body, titanium shaft for ½ to 4" pipes
FP-5301	Polypropylene body, titanium shaft for 4 to 8" pipes

### Complimentary Meters/Controllers

Model No.	Description
DPi8	Temperature/process monitor ½ DIN
CNi8	Temperature/process controller ½ DIN

### Accessories

Model No.	Description
TX4-100	4-conductor shielded cable, 30 m (100')
PSR-24L	24 Vdc, 400 mA power supply

Comes complete with operator's manual.

**Ordering Example:** FLSC-45B, signal conditioner (NEMA 4), PSR-24L, 24 Vdc, 400 mA power supply.