

HIGH PERFORMANCE FLOW SENSORS

FP-2541



- ✓ Rugged 316 Stainless Steel Construction
- ✓ Flow Rates as Low as 0.3 fps
- ✓ Installs in a Variety of Pipe Sizes
- ✓ No Magnets in Process Fluid
- ✓ Hot-Tap Version Removable Without Shutdown
- ✓ Uses Standard Pipe Connections

The FP-2541 and FP-3-1500 Series offer the added strength and corrosion resistance of stainless steel for applications requiring low velocity measurement. Unique internal circuitry eliminates the need for magnets in the process fluid, enabling lower flow measurement while maintaining the advantages of insertion-type sensor design. The sensor's unique rotor/bearing design offers low flow measuring capability with increased reliability.

SPECIFICATIONS

Output Signal: Open collector, sinking

Output Frequency: 15 Hz per fps

Operating Range: 0.3 to 20 fps

Pressure/Temperature: With standard FKM O-rings: 250 psi @ 82°C (180°F)

Power Requirements: 5 to 24 Vdc

Pipe Size Range:

FP-2541: 1.5 to 24"

FP-3-1500-2B: 1.5 to 36"

Repeatability: ±0.5% of full range

Linearity: ±1% of full range

MATERIALS

Sensor Fitting: 316SS

O-rings: FKM

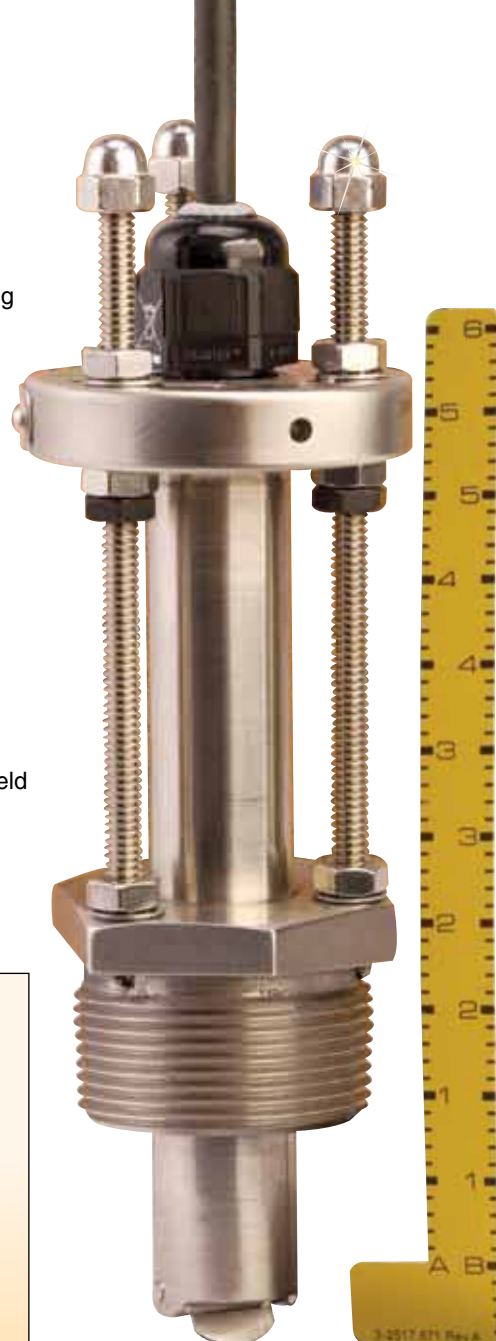
Rotor: CD4MCu

Rotor Bearings: PEEK™

Cable Type: Twisted pair with foil shield

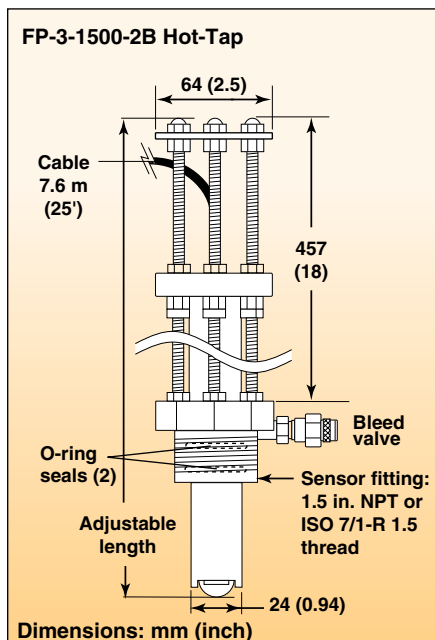
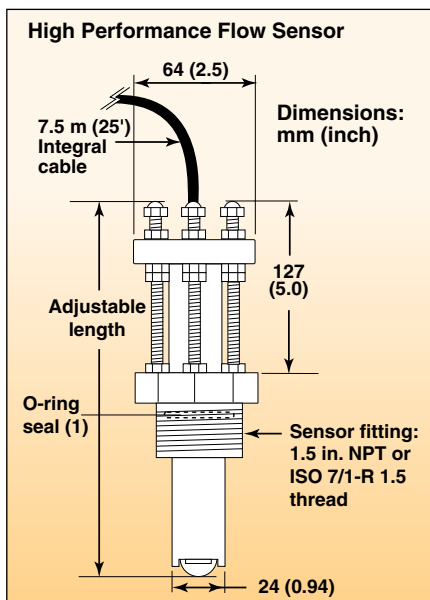
Cable Length: 7.6 m (25')

305 m (1000') maximum



FP-2541 flow sensor shown with 152 mm (6") installation ruler, included.

Compatible Meters:
DPF700, FPM-5500,
FPM-9020A



To Order

Model No.	Description
FP-2541	High performance flow sensor with 1.5 NPT thread

Accessories

Model No.	Description
FP-3-1500-302	Hot-tap installation tool
FP-3-1500-2B	Hot-tap flow sensor with 1.5 NPT thread
FP-3-2540-321	Replacement rotor and pin for units with serial numbers with "A"

Comes complete with 152 mm (6") installation ruler and operator's manual.

Ordering Examples: FP-2541, high performance flow sensor with 1.5 NPT thread.