

ADJUSTABLE DEPTH BRASS FLOW SENSORS

FP-6000 Series



- ✓ One Sensor for Lines 38 to 914 mm (1½ to 36")
- ✓ No Special Fitting Needed
- ✓ Low Cost

When you want it all in one flow sensor, you want the FP-6000 sensor. Accuracy...durability versatility...easy installation... low cost—the FP-6000 gives you all this.

The FP-6000 accurately measures a wide variety of fluids with flowrates as low as 1.6 feet per second up to 20 feet per second. It generates a sine-wave frequency output linearly proportional to flowrate with ± 0.2 fps accuracy.

The FP-6000 is versatile, adjusting to various pipe sizes. There is no need to buy a different sensor for every change in pipe size. You can position the FP-6000 to give you accurate readings in any size pipe (1½ to 36"), permitting tremendous cost savings.

No special fittings are required. A standard 1½" threadolet or saddle fitting is all you need.

Made of rugged brass, the FP-6000 can handle harsh environments. The output signal can be sent up to 30 m (100') without amplification. Each FP-6000 sensor comes with a 7.5 m (25') cable and all necessary mounting hardware.

SPECIFICATIONS

Output Signal: Sine wave, 80 mV p-p/fps

Output Frequency: 11 Hz/fps

Source Impedance: 10,000 Ω

Flow Rate Range: 1.6 to 20 feet per second (fps)

Linearity: $\pm 1\%$ of full range

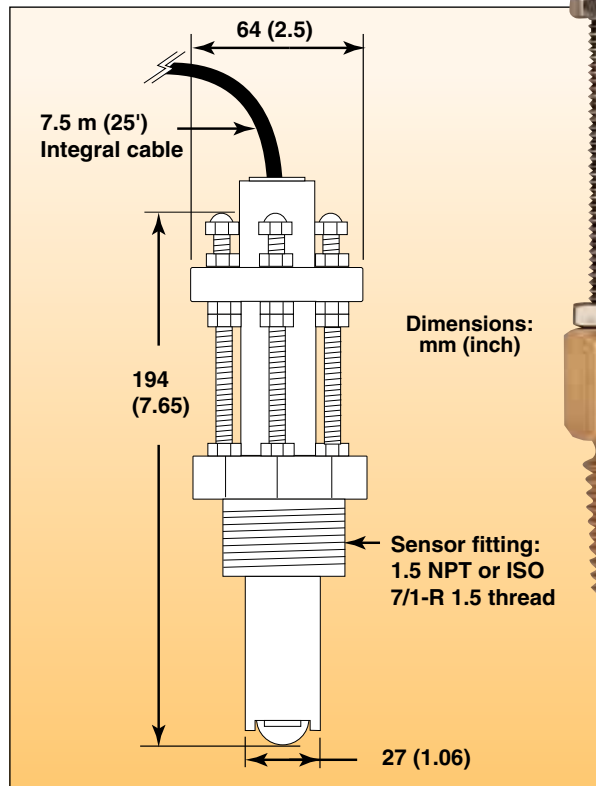
Repeatability: $\pm 0.5\%$ of full range

Maximum Operating Pressure: 225 psi

Maximum Operating Temperature: 100°C (212°F)

Maximum Viscosity: 1 centipoise (water); up to 5 cp above 5 fps velocity

Doesn't Need
Special Installation
Fittings!



FR-6002, brass flow sensor, shown smaller than actual size.

MATERIALS

Sensor

Rotor: CD4MCu Stainless Steel

Rotor Shaft: Tungsten Carbide Steel

Transducer Body: C 36000 Brass

Bearing: Carbon/graphite filled fluoroplastic (Fluoroloy B)

Fitting Housing and Cover: Brass

Seal: FKM O-Ring

Shipping Weight: 2.7 kg (6 lb)

Dimensions: From flange to rotor pin, 151 mm (5.94"), overall cable type twisted pair with foil shield

Connection: 1½ NPT or 1.5" ISO

Cable Length: 7.5 m (25')

Compatible Meters:
DPF700, DPF70, with FLSC-AMP,
FP90, FPM-5500, FPM-9020A.

To Order

Model No.	Description
FP-6001	Adjustable brass flow sensor, 1.5" ISO thread
FP-6002	Adjustable brass hot-tap flow sensor, 1.5 NPT thread
FP-6003	Adjustable brass hot-tap flow sensor, 1.5" ISO thread
FP-3-1500-302	Hot-tap installation tool
FP-52509-1	Complete replacement 316 SS rotor/paddlewheel kit
FP-52509-2	Complete replacement Tungsten Carbide rotor/paddlewheel kit

Comes complete with operator's manual.

Ordering Examples: FP-6001, adjustable brass paddlewheel flow sensor, 1.5 ISO thread.
FP-6003, adjustable brass hot-tap flow sensor, 1.5" ISO thread.