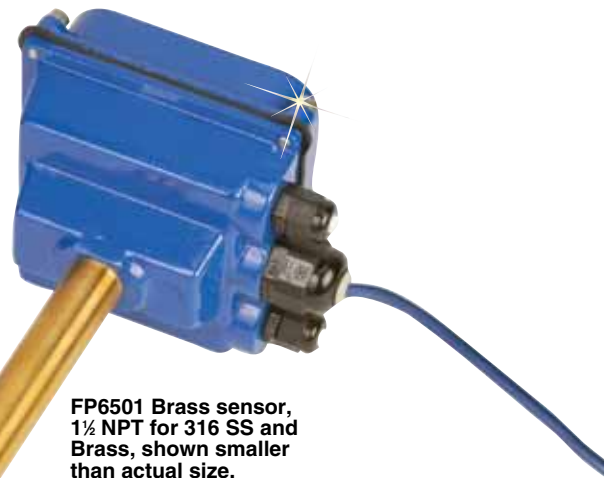


INSERTION PADDLEWHEEL FLOW SENSORS

FP6500 Series



FP6501 Brass sensor, 1 1/2 NPT for 316 SS and Brass, shown smaller than actual size.

- ✓ Available in 316 SS or Brass
- ✓ Installs in a Wide Range of Pipe Sizes From 7.6 to 102 cm (3 to 40")
- ✓ Excellent Low-Flow Performance
- ✓ Special Fittings Not Required

Ruby bearings and a non-drag pick-off give these adjustable insertion flow sensors the widest flow range of any of the paddlewheel types. A Hall-effect device detects the passage of miniature magnets in the six rotor blades. The resulting square-wave signal can be sent hundreds of feet without a transmitter, over unshield cable. This signal can be connected directly to many PLCs and other controls without additional electronics.

A depth adjustment system allows two basic sizes to cover pipe sizes from 7.6 to 102 cm (3 to 40").

SPECIFICATIONS

Materials

Probe Body: Brass or Type 316 SS

Rotor: PVDF

Shaft: Tungsten Carbide

Bearings: Ruby ring, ruby end stone, set in PVDF bearing holder

Power: 5 to 24 Vdc, 1.5 mA

Signal: Square wave, 11 Hz/fps

(approx.), current sinking output, 20 mA maximum, NPN (Hall Effect)

Cable: #22 AWG 3-conductor, 5.5 m (18') standard; 610 m (2000') max

Accuracy: ±1.5% of full range

Range: 0.3 to 30 fps

Maximum Working Pressure:

14 bar (200 psi) at 24°C (75°F)

Maximum Temperature:

93°C (200°F) at 0 psig

Shipping Weight:

FP6501: 1.8 kg (4 lb)

FP6502: 2.3 kg (5 lb)

Pipe Size Range:

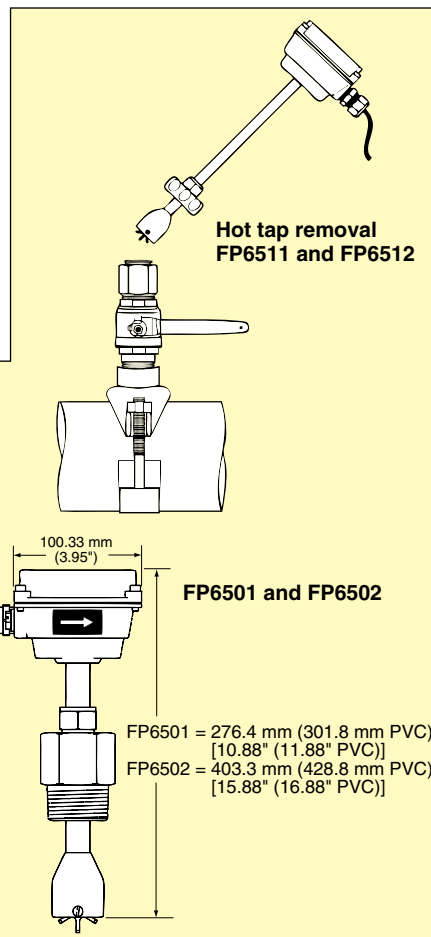
FP6501/11: 7.6 to 30.5 cm (3 to 12")

FP6502/12: 30.5 to 102 cm (12 to 40")

Fitting Size:

FP6501/FP6502: 1 1/2 NPT

FP6511/FP6512: 2 NPT



To Order

Model No.	Fitting Size	Description
FP6501	1 1/2 NPT	Brass sensor, 7.6 to 30.5 cm (3 to 12")
FP6501-SS	1 1/2 NPT	316 SS sensor, 7.6 to 30.5 cm (3 to 12")
FP6502	1 1/2 NPT	Brass sensor, 30.5 to 102 cm (12 to 40")
FP6502-SS	1 1/2 NPT	316 SS sensor, 30.5 to 102 cm (12 to 40")
FP6511	2 NPT	Brass sensor, bronze ball valve, 7.6 to 30.5 cm (3 to 12")
FP6511-SS	2 NPT	316 SS sensor, bronze ball valve, 7.6 to 30.5 cm (3 to 12")
FP6512	2 NPT	Brass sensor, bronze ball valve, 30.5 to 102 cm (12 to 40")
FP6512-SS	2 NPT	316 SS sensor, bronze ball valve, 30.5 to 102 cm (12 to 40")
FP-15827-K	—	Repair kit (bearing, assembly and rotor), PVDF

Comes complete with 5.5 m (18') cable and operator's manual.

Ordering Examples: FP6501, 1 1/2 NPT brass sensor for 5 to 30 cm pipe.

FP6502-SS, 1 1/2 NPT for 30 to 100 cm pipe, 316 SS sensor.