

# POSITIVE DISPLACEMENT FLOW METER FOR SOLVENTS



## FPD3300 Series



- ✓ Aluminum Body
- ✓ FEP Seals
- ✓ Stainless Steel Rotors
- ✓ Temperatures up to 80°C (176°F)
- ✓ NPT or BSP Threads
- ✓ DIN, JIS or ANSI Connection (Available on 1" and Larger Sizes)

The FPD3300 Series positive displacement flow meters are affordable and accurate. One primary feature is the ability to maintain consistent accuracy despite changing viscosity conditions. The meter's solid construction and excellent dynamic response are well suited to the measurement of many solvents as well as other non-abrasive lubricating fluids. Since there is no need for straight run piping upstream or downstream of the flow meter, the FPD3300 flow meters are simple to use and to install. The meter has good resolution and high accuracy at low flow rates.

### SPECIFICATIONS

**Accuracy:** ±0.5% of reading

**Repeatability:** ±0.03%

**Fitting Type:**

NPT: Female

BSP: "-BSP" option

DIN: "-DIN" option

JIS: "-JIS" option

ANSI: "-ANSI" option

**Hall-Effect Sensor Power:** 4.5 to 24 Vdc (7.5 mA)

**Reed Sensor Power:** 30 Vdc (500 mA)

**Output Options:**

**Pulse Output:** Standard

**4 to 20 mA Transmitter:**

"-D-A" option; no output on battery powered "-D" model

FPD3305D-A



Both models shown smaller than actual size.

FPD3303



**Display:** 7-digit/12 mm (0.47") upper, 7-digit/7 mm (0.28") lower all, "-D" options

**Rate:** User defined

**Total:** Resettable

**Accumulated-Total:** Non-resettable

**Minimum Viscosity:** 1 cPs

**Maximum Viscosity:** 1000 cPs standard

**Maximum Pressure:** See chart

on page 3

**Strainer Size:** See chart on next page

**Mounting:** Shafts must be in a horizontal plane

**Electrical Connections:** 2 x 12 mm (0.08 x 0.47"), fittings included "-D-A" option

**Cable Length:** 1 m (3') stripped ends non-display models

**Mounting:** Pipe

**Power:** 4 to 20 mA, "-D-A" models

18 to 30 Vdc display, "-D" models

3 Vdc lithium battery (included)

**Liquid Temperature:** -40 to 80°C (-40 to 176°F)

**Materials**

**Body:** Stainless steel

**Enclosure:** Polypropylene

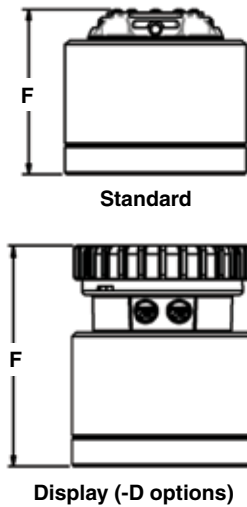
**Seals:** FEP

**Rotors:** Stainless steel

**Fasteners:** Stainless steel

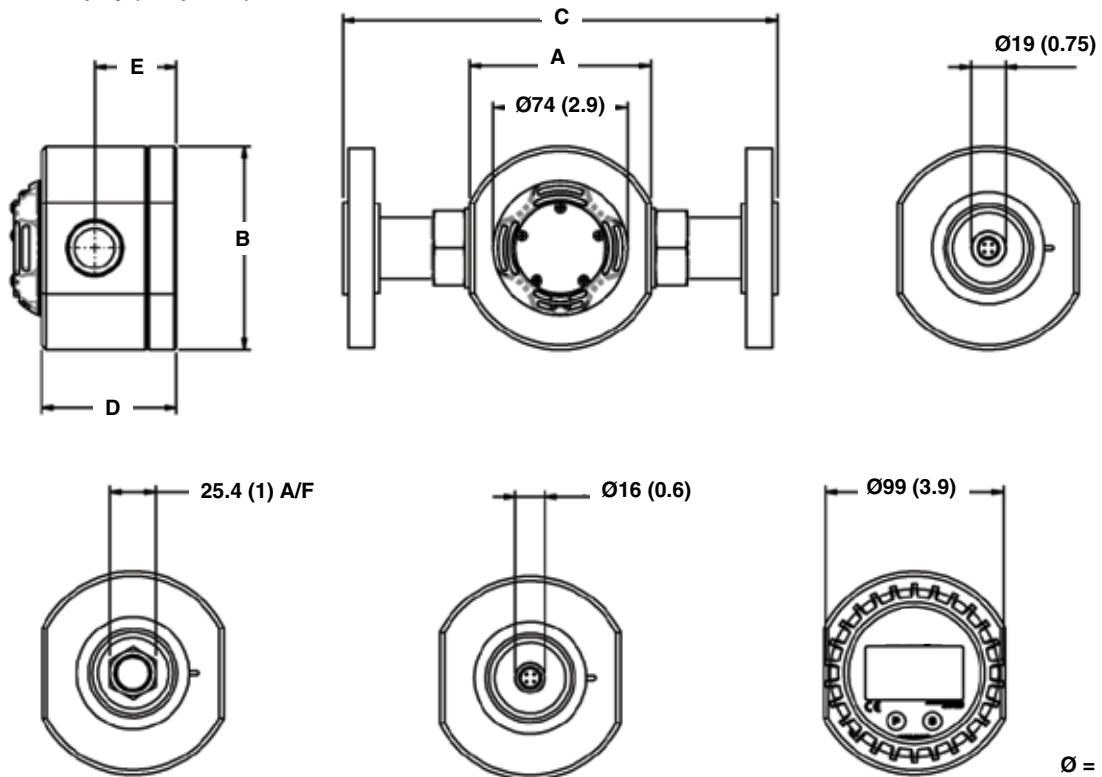
**Cable Insulation:** PVC

**Enclosure:** NEMA 6 (IP67)



### Pulsar and Display Height, F

Model No.	Dimensions: mm (inch)		Recommended Strainer
	Standard	-D options	
FPD3302	59 (2.3)	90 (3.5)	200 mesh (74 um)
FPD3303	59 (2.3)	90 (3.5)	200 mesh (74 um)
FPD3304	66 (2.6)	97 (3.8)	60 mesh (250 um)
FPD3334	79 (3.1)	110 (4.3)	60 mesh (250 um)
FPD3305	92 (3.6)	123 (4.8)	60 mesh (250 um)
FPD3306	120 (4.7)	151 (5.9)	60 mesh (250 um)
FPD3307	141 (5.5)	172 (6.7)	60 mesh (250 um)
FPD3308	See operator's manual for dimensional drawings		
FPD3309	See operator's manual for dimensional drawings		

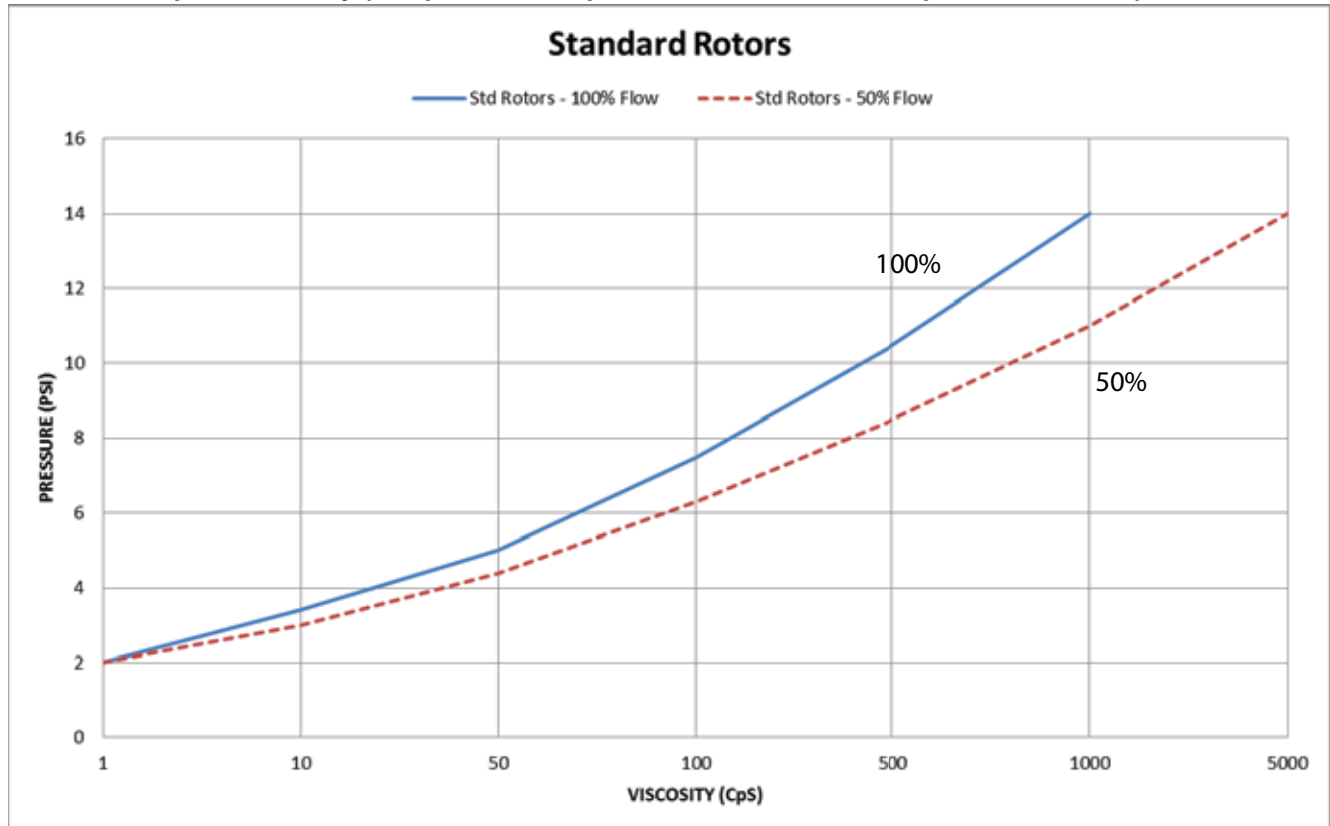


Ø = Diameter

Model No.	Meter and Flange, Dimensions: mm (inch)					
	Port Size	A	B	C*	D	E
FPD3302	¼"	71 (2.8)	74 (2.9)	N/A	42 (1.7)	25 (1)
FPD3303	¼"	71 (2.8)	74 (2.9)	N/A	42 (1.7)	24 (0.9)
FPD3304	½"	81 (3.2)	87 (3.4)	N/A	49 (1.9)	28 (1.1)
FPD3334	¾"	100 (3.9)	112 (4.4)	N/A	62 (2.4)	37 (1.5)
FPD3305	1"	100 (3.9)	112 (4.4)	240 (9.4)	75 (3)	45 (1.8)
FPD3306	1½"	120 (4.7)	137 (5.4)	240 (9.4)	103 (4.1)	61 (2.4)
FPD3307	2"	140 (5.5)	163 (6.4)	264 (10.4)	124 (4.9)	72 (2.8)
FPD3308	See operator's manual for dimensional drawings					
FPD3309	See operator's manual for dimensional drawings					

\* Flanges

**Pressure Drop vs. Viscosity (-HV pressure drop curves can be found in operator's manual)**



<b>To Order</b>				
Model No.	Port Size	Flow Range		Maximum Pressure psi (Kpa)
		< 5 cPs	> 5 cPs	
FPD3302	¼"	2 to 100 LPH (0.5 to 26 GPH)	0.5 to 100 LPH (0.13 to 26 GPH)	1000 (6895)
FPD3303	¼"	25 to 500 LPH (6.6 to 132 GPH)	15 to 500 LPH (4 to 132 GPH)	1001 (6895)
FPD3304	½"	3 to 25 LPM (0.8 to 6.6 GPM)	2 to 30 LPM (0.5 to 8 GPM)	2000 (13790)
FPD3334	¾"	8 to 70 LPM (2 to 18.5 GPM)	3 to 80 LPM (0.8 to 21 GPM)	2001 (13790)
FPD3305	1"	10 to 100 LPM (2.6 to 26 GPM)	6 to 120 LPM (1.6 to 32 GPM)	2002 (13790)
FPD3306	1½"	15 to 235 LPM (4 to 62 GPM)	10 to 250 LPM (2.6 to 66 GPM)	1200 (8274)
FPD3307	2"	15 to 500 LPM (4 to 130 GPM)	16 to 500 LPM (4 to 130 GPM)	1001 (6895)
FPD3308	3"	60 to 600 LPM (15.8 to 158 GPM)	20 to 733 LPM (5.3 to 193 GPM)	175 (1206)

Comes complete with lithium battery and operator's manual.  
 For units with a battery powered digital display add **"-D"** to the model number, for an additional charge.  
 For units with a DC powered digital display and 4 to 20 mA output add **"-D-A"** to the model number, for an additional charge.  
 For units with BSP connections add **"-BSP"** to the model number, no additional charge.  
 For units with DIN flanges add **"-DIN"** to the model number, for an additional charge (1" and larger only).  
 For units with JIS flanges add **"-JIS"** to the model number, for an additional charge (1" and larger only).  
 For units with ANSI flanges add **"-ANSI"** to the model number, for an additional charge (1" and larger only).  
 For units with high viscosity rotors add **"-HV"** to the model number, for an additional charge.