

BATCH CONTROLLERS

FPM-9020A



- ✓ User-Friendly Menu with Simple Setup and Operation
- ✓ Easy Batch-Size Changeability
- ✓ Applications Include Chemical Addition, Battery Manufacture, Canning/Bottling, and Industrial Laundering

FPM-9020A shown smaller than actual size.



The FPM-9020A batch controller was designed for simple, single-function batching systems. A user-selectable menu allows easy configuration of current and relay options. One relay provides batch in-progress alarming, and the other can be used for a 2-stage shutdown, over-run alarm, end-of-batch, or missing signal alarm.

SPECIFICATIONS

Accuracy: ±0.5% of reading

Operating Range: 0.5 to 1000 Hz, optically isolated

Power Requirements: 12 to 24 Vac or 12 to 24 Vdc, unregulated, 50 to 60 Hz, 10 W maximum

Display:

Analog: Reversible dial, 0 to 100% or 100 to 0%

Digital: Backlit 2 x 16 character alphanumeric LCD

Batch Size: 0 to 999999 engineering units

Totalizer: 8-digit resettable and non-resettable

Current Output: 4 to 20 mA, non-isolated, internally powered

Loop Impedance: 350 Ω maximum @ 12V, 950 Ω maximum @ 24V

Accuracy: ±0.1%

Configurations: Batch completion, valve control or end-of-batch

Alarm Contacts: 2 SPDT relays: 5 A @ 30 Vdc maximum, 5 A @ 125 Vac, or 3 A @ 250 Vac

Batch: Batch in-progress

Programming Options: 2-stage shutdown, over-run alarm, end-of-batch pulse, missing signal alarm

Additional Functions: EOB pulse, remote start, stop, resume

Operating Conditions:

Operating Temperature: -10 to 55°C (14 to 131°F)

Relative Humidity: 0 to 95%, non-condensing

Accuracy: ±0.5% of reading

Materials:

Enclosure: ABS plastic, NEMA 4X (IP66)

Keypad: Silicone rubber

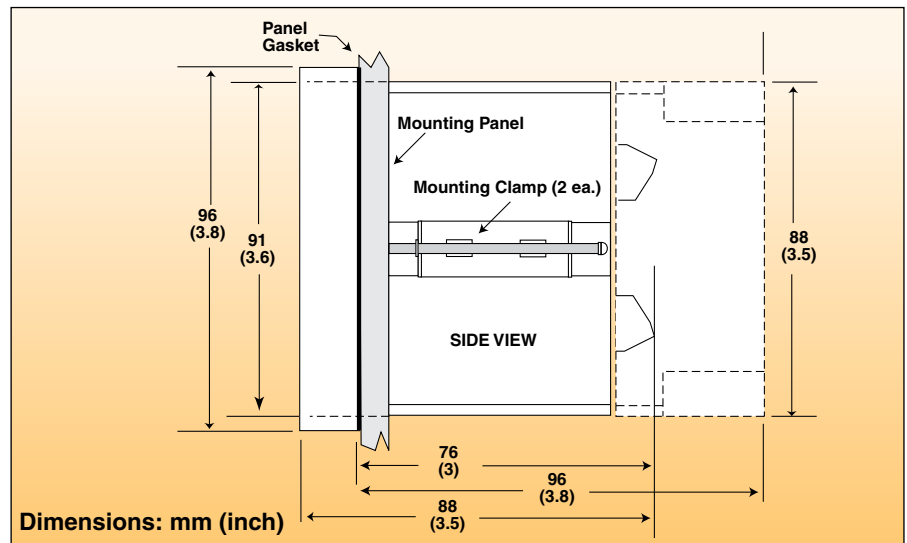
Panel and Case Gasket: Neoprene®

Window: Hard-coated polycarbonate

Weight: 500 g (18 oz)

Compatible Sensors:

FP-5300/5100, FP-5200, and FP-6000, and FP-5600



To Order

Model No.	Description
FPM-9020A	Batch controller, panel mount

Accessories

Model No.	Description
FPM-5000-LTCK	Liquid-tight connector kit
FPM-5000-MB	Mounting bracket

Comes complete with operator's manual.

Ordering Examples: FPM-9020A, batch controller. FPM-9020A, batch controller and OCW-3, OMEGACARESM extended warranty. OCW-3, OMEGACARESM extends standard 1-year warranty to a total of 4 years.

OMEGACARESM extended warranty program is available for models shown on this page. Ask your sales representative for full details when placing an order. OMEGACARESM covers parts, labor and equivalent loaners.