

END SUCTION CENTRIFUGAL PUMPS

FPUC201

\$654



FPUC201 close coupled to electric motor, \$654, shown smaller than actual size

- ✓ **Easy Screwdriver Service**
- ✓ **Chemical Resistant**
- ✓ **Flows to 230 U.S. GPM or 94' TDH at 60 Hz (725 LPM or 20 m at 50 Hz)**
- ✓ **Constructed from Glass-Reinforced Polyester or Noryl® Thermoplastic**

APPLICATIONS

For pumping, transferring, and recirculating select wastes, acids, plating solutions, chemicals, fume scrubbers, and photographic etchings and cleaning solutions.

All major pump parts in the FPUC200 Series are precision molded of tough, corrosion-resistant, glass-reinforced polyester or Noryl® glass-reinforced thermoplastic. These high-strength plastics provide resistance to water and saltwater as well as to many acids, bases, and solvents. O-rings and seals are of EPDM, Viton®, or Buna-N. The pumps use 18-8 SS wetted internal hardware. For extra corrosive service, the motor shaft adaptor can be made of titanium, the impeller screw can be encapsulated in polypropylene, and the mechanical seals can be made metalless with Viton® and siliconized graphite seal faces (add suffix “-TPV” to the model number and add \$700 to price). The

mechanical seals can be made metalless with EPDM and siliconized graphite seal faces (add suffix “-TPM” and add \$638 to price).

If abrasives may be entrained in the pumped liquid, order option “-SC” for hard siliconized graphite-faced shaft seal with EPDM and 316 SS internals, and add \$215 to price.

Note: In operation, mechanical seals weep small quantities of the pumped material through the seal back onto the motor shaft adaptor.

WARNING

When pumping flammable or combustible liquids, all containers must be effectively bonded and grounded to prevent sparks of static electricity which could cause an explosion.

SPECIFICATIONS

Port Size: Combination of 1½ female 2 male NPT (for all except the FPUC213, which has 3 male NPT threaded suction and discharge ports)

Wetted Parts: Glass-reinforced polyester body standard, Noryl® optional; EPDM O-rings std, Viton® and Buna-N opt.; 18-8 SS internals and motor shaft with self-lubricating carbon/ceramic mechanical seal with 316 SS case and spring std; all non-metallic internals and siliconized graphite mechanical seal (includes polypropylene-encapsulated impeller screw and Halar® case, with titanium motor shaft opt.). External hardware is 18-8 SS.

Max. Temperature/Pressure: Polyester body: up to 54°C (130°F) up to 41 psig; Noryl® body: up to 93°C (200°F) up to 41 psig

Dimensions: Close coupled: 292 H x 349 L x 222 mm W (11½ x 13¾ x 8¾"); L = 241 mm (9 ½") max. for pedestal mount

Max. Weight: Close coupled: 21.8 kg (48 lb); pedestal mount: 6.8 kg (15 lb)

MOST POPULAR MODELS HIGHLIGHTED!

To Order (Specify Model Number)

With Single Phase, 115/230 Vac, TEFC Motor

Model No.	Price	Max Flow Rate*		Max TDH		Motor HP 60 Hz	Max Spec. Grav.
		GPM	LPM	Ft.	M		
With Single-Phase, 115/230 VAC, TEFC Motor							
FPUC201	\$654	70	220	30	6.5	0.75	1.8
FPUC202	784	90	285	32	7	1.5	1.6
FPUC203	798	120	380	70	15	2.0	1.1

With 3-Phase, 230/460 Vac, TEFC Motor

FPUC204	614	70	220	30	6.5	0.75	1.8
FPUC205	664	90	285	32	7	1.5	1.6
FPUC206	723	120	380	70	15	2.0	1.6
FPUC207	740	150	475	90	19	3.0	1.0

70 and 90 GPM units are 1750 RPM motors; all others are 3450 RPM.

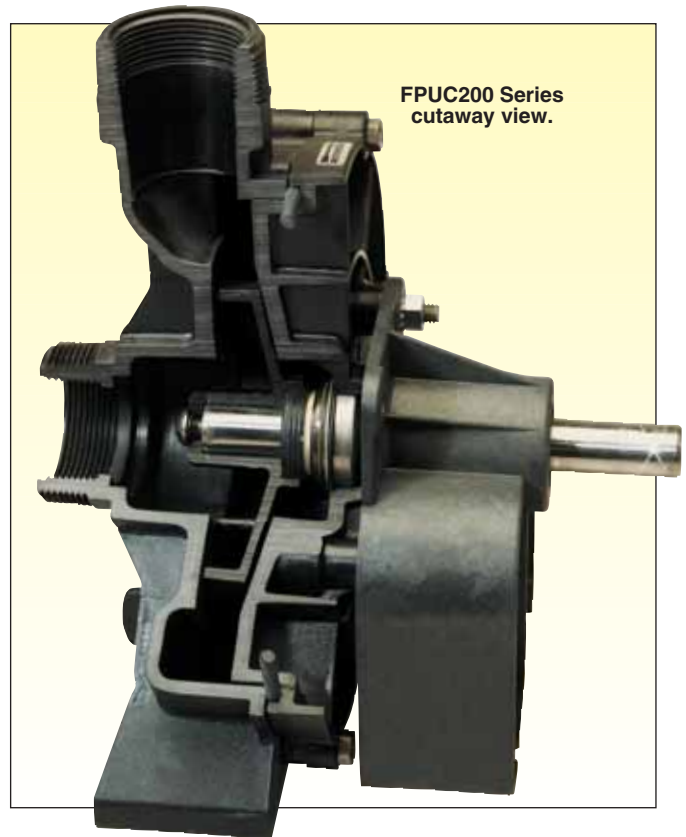
To Order (Specify Model Number)

Epoxy-Coated Cast Iron Pedestal Mount, No Motor or Baseplate [6.8 kg (15 lb) Ship Wt.]

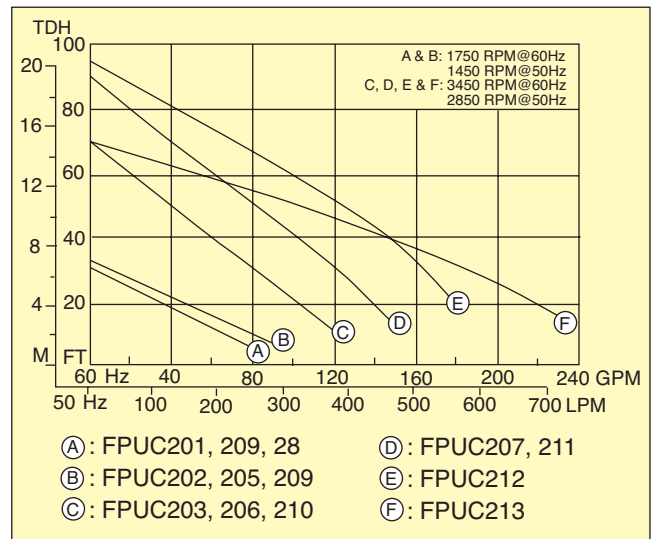
Model No.	Price	Max Flow Rate*		Max TDH		Required HP	
		GPM	LPM	Ft.	M	60 Hz	50 Hz
FPUC208	\$379	70	220	30	6.5	0.4	0.31
FPUC209	379	90	285	32	7	0.9	0.5
FPUC210	379	120	380	70	15	1.8	1.0
FPUC211	379	150	475	90	19	3.0	1.7
FPUC212	379	180	570	94	20	4.8	2.8
FPUC213	459	230	725	70	15	4.9	2.8

Comes with complete operator's manual.

* GPM @ 1725 and 3450 RPM, 60 cycle motors; LPM @ 1450 and 2850 RPM, 50 cycle motors. For Noryl® body instead of polyester, add suffix "-NL" to model number and add \$45 to price. For optional Buna-N or Viton® elastomers, add suffix "-B" or "-V" to model number and add \$138 for Viton®, no charge for Buna-N. For 50 Hz motor, please specify "-Voltage/Phase/50 Hz"(consult OMEGA's Flow Engineering department). To order an EDPM fitted hard-siliconized, graphite-faced shaft seal for abrasive applications, add suffix "-SC" to model number and add \$215 to price.



FPUC200 Series cutaway view.



Accessories for Pedestal-Mount Pumps

Model No.	Price	Description
FPUCS100-BP	\$155	Baseplate kit for FPUC208 through FPUC211. Includes coupling guard, shims, screws, nut, washers and steel base plate.
FPUCS201-BP	255	Baseplate kit for FPUCS212 and FPUC213. Includes coupling guard, shims, screws, nut, washers and epoxy-painted steel base plate.
FPUCS100-SC	35	Coupling from 1.9 cm (¾") pump shaft to 1.6 cm (5/8") NEMA 56 face motor shaft
CM-4391	99	Reference Book: Centrifugal Pump Design

Ordering Example: FPUC208, epoxy-coated cast iron pedestal mount, and FPUCS100-BP, baseplate kit, \$379 + 155 = \$534.



UNITED STATES

www.omega.com
1-800-TC-OMEGA
Stamford, CT.

CANADA

www.omega.ca
Laval(Quebec)
1-800-TC-OMEGA

GERMANY

www.omega.de
Deckenpfronn, Germany
0800-8266342

UNITED KINGDOM

www.omega.co.uk
Manchester, England
0800-488-488

FRANCE

www.omega.fr
Guyancourt, France
088-466-342

CZECH REPUBLIC

www.omegaeng.cz
Karviná, Czech Republic
596-311-899

BENELUX

www.omega.nl
Amstelveen, NL
0800-099-33-44



More than 100,000 Products Available!

• Temperature

Calibrators, Connectors, General Test and Measurement Instruments, Glass Bulb Thermometers, Handheld Instruments for Temperature Measurement, Ice Point References, Indicating Labels, Crayons, Cements and Lacquers, Infrared Temperature Measurement Instruments, Recorders Relative Humidity Measurement Instruments, RTD Probes, Elements and Assemblies, Temperature & Process Meters, Timers and Counters, Temperature and Process Controllers and Power Switching Devices, Thermistor Elements, Probes and Assemblies, Thermocouples Thermowells and Head and Well Assemblies, Transmitters, Wire

• Flow and Level

Air Velocity Indicators, Doppler Flowmeters, Level Measurement, Magnetic Flowmeters, Mass Flowmeters, Pitot Tubes, Pumps, Rotameters, Turbine and Paddle Wheel Flowmeters, Ultrasonic Flowmeters, Valves, Variable Area Flowmeters, Vortex Shedding Flowmeters

• pH and Conductivity

Conductivity Instrumentation, Dissolved Oxygen Instrumentation, Environmental Instrumentation, pH Electrodes and Instruments, Water and Soil Analysis Instrumentation

• Data Acquisition

Auto-Dialers and Alarm Monitoring Systems, Communication Products and Converters, Data Acquisition and Analysis Software, Data Loggers Plug-in Cards, Signal Conditioners, USB, RS232, RS485 and Parallel Port Data Acquisition Systems, Wireless Transmitters and Receivers

• Pressure, Strain and Force

Displacement Transducers, Dynamic Measurement Force Sensors, Instrumentation for Pressure and Strain Measurements, Load Cells, Pressure Gauges, Pressure Reference Section, Pressure Switches, Pressure Transducers, Proximity Transducers, Regulators, Strain Gages, Torque Transducers, Valves

• Heaters

Band Heaters, Cartridge Heaters, Circulation Heaters, Comfort Heaters, Controllers, Meters and Switching Devices, Flexible Heaters, General Test and Measurement Instruments, Heater Hook-up Wire, Heating Cable Systems, Immersion Heaters, Process Air and Duct, Heaters, Radiant Heaters, Strip Heaters, Tubular Heaters