

# MINI PLASTIC FLOW SWITCH



B

## FSW-120 Series



FSW-122 shown actual size.

- ✓ Small and Lightweight
- ✓ Plastic and Stainless Steel Construction
- ✓ No Switch-Point Adjustment

The FSW-120 Series of compact PPS switches are ideal for use where space is at a premium. Designed for use with water and water based solutions, these switches are suitable for high volume OEM applications. They are ideal for coolant or chemical monitoring in portable equipment and many other applications with space constraints. The switch points are based on water flow, other liquids may require field testing.

### SPECIFICATIONS

#### Wetted Materials:

- Housing and piston PPS
- Spring 316 stainless steel
- O-Ring FKM
- Other wetted parts epoxy

**Maximum Pressure:** 17.2 bar (250 psig) at 21°C (70°F)

**Operating Temperature:** -17 to 107°C (0 to 225°F)

**Set Point Accuracy:** ±15% maximum

**Set Point Differential:** 20% maximum

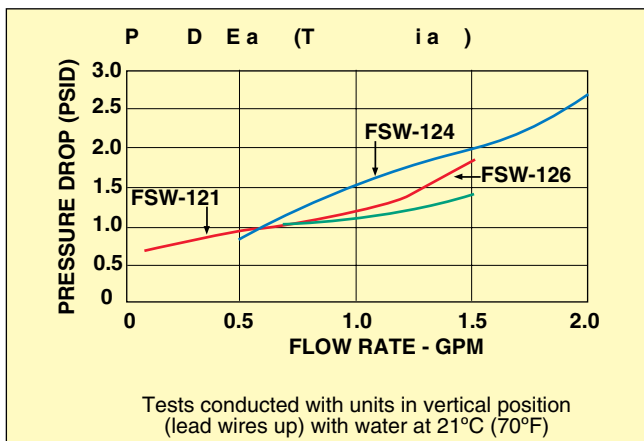
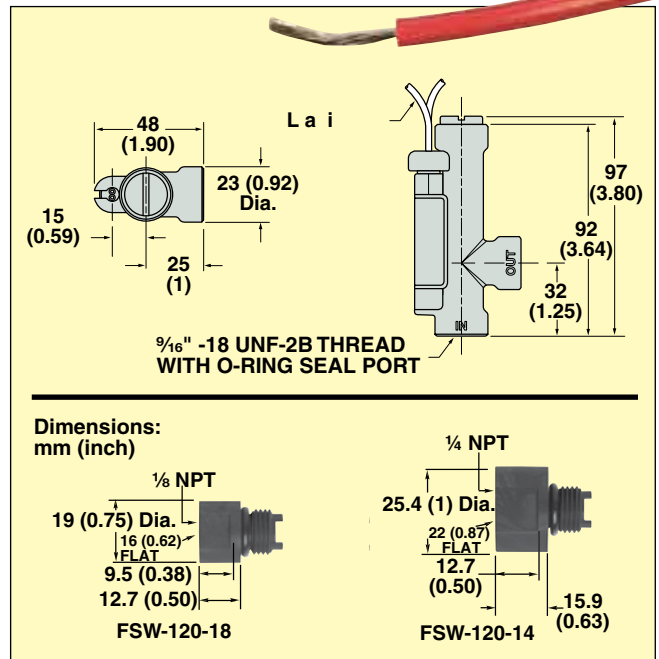
**Relay:** SPDT 20 VA

**Inlet/Outlet Ports:** 1/16" -18 UNF-2B thread (NPT adaptors available)

**Recommended Filtration:** 50 Microns or better

**Electrical Termination:** 18 AWG, zipcord, 609 mm (24") long

**Weight:** 140 g (5 oz)



### To Order Visit [omega.com/fsw-120](http://omega.com/fsw-120) for Pricing and Details

Model No.	Description
FSW-121	Plastic flow switch 0.10 GPM switch point
FSW-122	Plastic flow switch 0.25 GPM switch point
FSW-123	Plastic flow switch 0.50 GPM switch point
FSW-124	Plastic flow switch 0.75 GPM switch point
FSW-125	Plastic flow switch 1.00 GPM switch point
FSW-126	Plastic flow switch 1.50 GPM switch point
FSW-120-18	1/16" -18 UNF to 1/8 NPT adaptor
FSW-120-14	1/16" -18 UNF to 1/4 NPT adaptor

Comes complete with operator's manual.

**Notes:** Flow settings are calibrated using water at 21°C (70°F) on increasing flow, with units in a vertical position. Care should be taken to ensure fluid compatibility with the above listed wetted materials.

**Ordering Examples:** FSW-122, 0.25 GPM flow switch with FSW-120-18, 1/8 NPT adaptor.

FSW-124, 0.75 GPM flow switch with FSW-120-14, 1/4 NPT adaptor.